
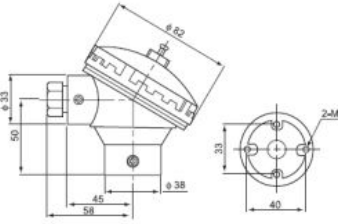

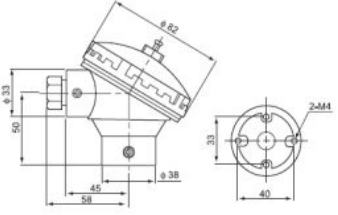

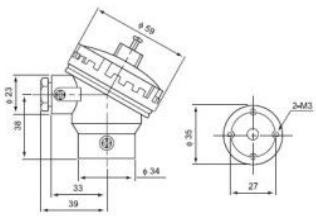

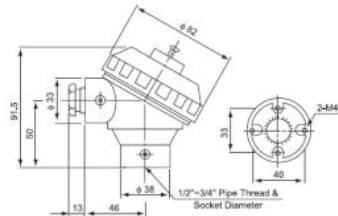

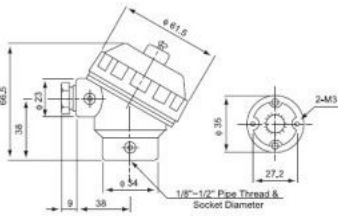

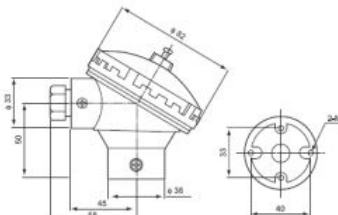

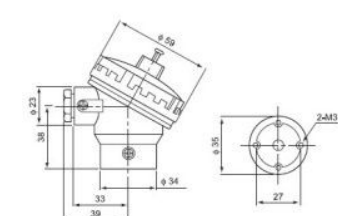


## MICC Thermocouple Protection Head catalogue


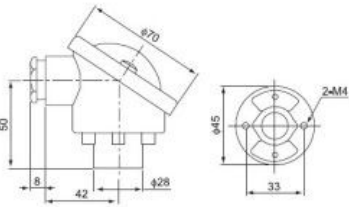

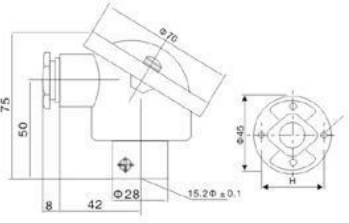

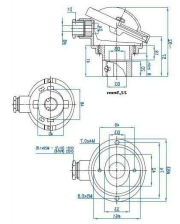

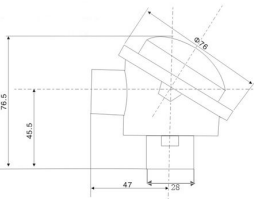
Code	Description	Material	Appearance	Drawing	Color	Tube Entry	Wire Entry	Weight	Packing
KNE	Head	Alloy-Aluminum			Silver Yellow Red Blue Purple Black	M22*1, M24*1 M27*1, M33*1 G1/2", G3/4" NPT1/2", NPT3/4" PF1/2", PF3/4" BSP1/2", BSP3/4" M20*1.5	G1/2" G3/4" PF1/2" PF3/4" NPT1/2" NPT3/4" BSP1/2" BSP3/4" M20*1.5	275g	50pcs/carton
KNE SS304	Head	SS304			Silver	PF1/2" PF3/4" NPT3/4" BSP1/2" BSP3/4" M20*1.5	M20*1.5 G1/2" NPT1/2"	680g	50pcs/carton
KSE	Head	Alloy-Aluminum			Silver Yellow Red Blue Purple Black	M12*1 M16*1 G1/2" NPT1/2" PF1/2" PF1/4" BSP1/2" BSP1/4"	M16*1.5 G3/8" NPT3/8" PF3/8" BSP3/8"	145g	50pcs/carton

## MICC Thermocouple Protection Head catalogue

Code	Description	Material	Appearance	Drawing	Color	Tube Entry	Wire Entry	Weight	Packing
KNC	Head	Alloy-Aluminum			Silver Yellow Red Blue Purple Black	M22*1, M24*1 M27*1, M33*1 G1/2", G3/4" NPT1/2", NPT3/4" PF1/2", PF3/4" BSP1/2", BSP3/4" M20*1.5	G1/2", G3/4" PF1/2" PF3/4" NPT1/2" NPT3/4" BSP1/2" BSP3/4" M20*1.5	265g	50pcs/carton
KSC	Head	Alloy-Aluminum			Silver Yellow Red Blue Purple Black	M12*1 M16*1 G1/2" NPT1/2" PF1/2" PF1/4" BSP1/2" BSP1/4"	M16*1.5 G3/8" NPT3/8" PF3/8" BSP3/8"	140g	50pcs/carton
KB	Head	Bakelite			Black	PF1/2" M16*1	PF1/2"	145g	50pcs/carton
KBS	Head	Bakelite			Black	PF1/4"	PF3/8"	85g	50pcs/carton


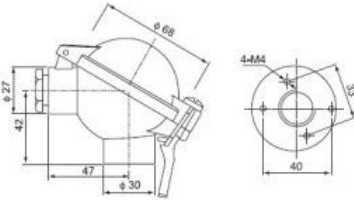

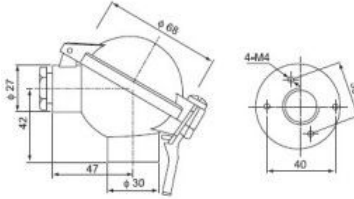

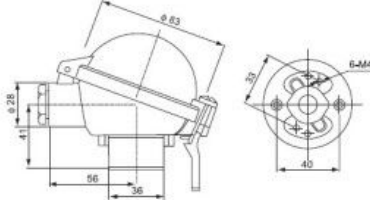

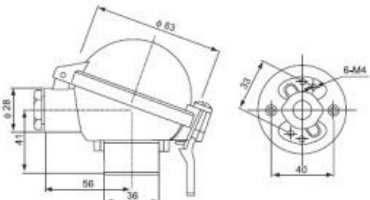
# MICC MICC TECH, LIMITED

## MICC Thermocouple Protection Head catalogue

Code	Description	Material	Appearance	Drawing	Color	Tube Entry	Wire Entry	Weight	Packing
KD	Head	Alloy-Aluminum			Silver Yellow Red Blue Purple Black	PF1/2" BSP1/2" NPT1/2" M20*1 M22*1.5 G1/2"	M20*1.5 M22*1.5 G1/2"	160g	50pcs/carton
KDW	Head	Alloy-Aluminum			Silver Yellow Red Blue Purple Black	PF1/2" BSP1/2" NPT1/2" M20*1 M22*1.5 G1/2"	M20*1.5 M22*1.5 G1/2"	215g	50pcs/carton
DIN A	Head	Alloy-Aluminum			Silver Yellow Red Blue Purple Black	PF1/2" NPT1/2" BSP1/2"	M22x1.5	300g	50pcs/carton
KD5	Head	Alloy-Aluminum			Silver Yellow Red Blue Purple Black	M20*1.5	M24*1.5	180g	50pcs/carton

# MICC MICC TECH, LIMITED


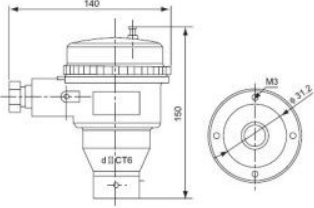

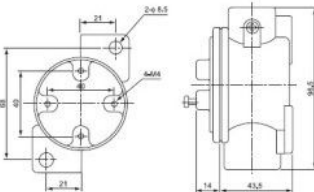

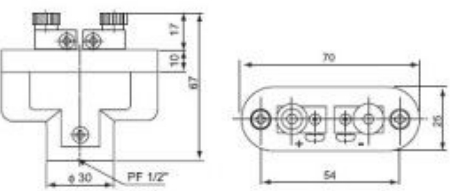

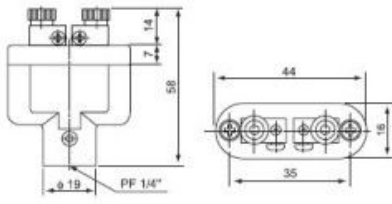
## MICC Thermocouple Protection Head catalogue

Code	Description	Material	Appearance	Drawing	Color	Tube Entry	Wire Entry	Weight	Packing
NAA	Head	Alloy-Aluminum			Silver Yellow Red Blue Purple Black	PF1/2" NPT1/2" BSP1/2" M12*1 M16*1 M20*1.5	PF1/2", NPT1/2", BSP1/2", M20*1.5	165g	50pcs/carton
NAA SS304	Head	SS304			Silver	M12*1 M16*1 M20*1	M20*1.5	450g	50pcs/carton
DANA	Head	Alloy-Aluminum			Silver Yellow Red Blue Purple Black	PF1/2" PF3/4" NPT1/2" NPT3/4" BSP1/2" M16*1 M20*1 M20*1.5	PF1/2" PF3/4" NPT1/2" BSP1/2" M20*1.5	255g	50pcs/carton
DANA SS304	Head	SS304			Silver	M12*1 M16*1 M20*1 G1/2	M20*1.5 G1/2	660g	50pcs/carton



# MICC MICC TECH, LIMITED

## MICC Thermocouple Protection Head catalogue

Code	Description	Material	Appearance	Drawing	Color	Tube Entry	Wire Entry	Weight	Packing
CT6EX	Head	Alloy-Aluminum			Silver	M22*1.5	M22*1.5 M20*1.5	780g	80pcs/carton
KF	Head	Alloy-Aluminum			Black	PF1/2" PF3/4" NPT3/4"	PF1/2" NPT1/2"	240g	50pcs/carton
TL	Head	Alloy-Aluminum			Silver	PF1/2" M22*1 G1/2"		130g	100pcs/carton
TS	Head	Alloy-Aluminum			Silver	PF1/4" M12*1 G1/4"		80g	200pcs/carton