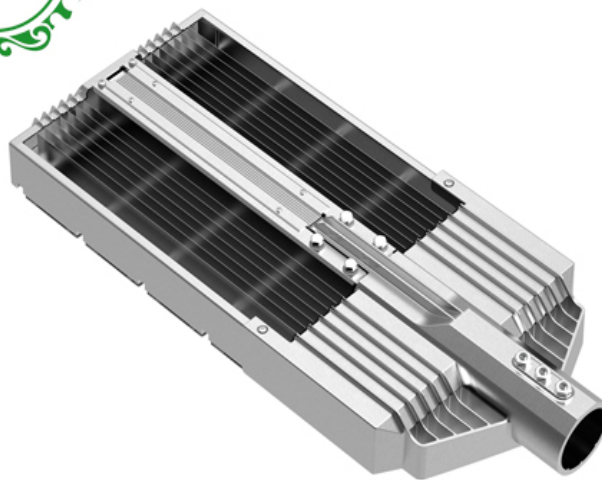




Product picture



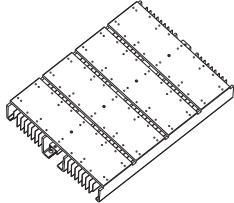
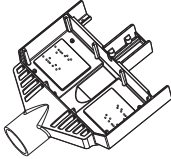
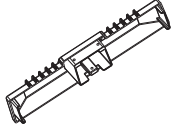



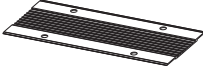
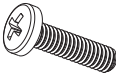

<http://www.qinhanled.com>



<http://www.qinhanled.com>



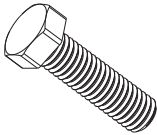





BOM

NO.:	Picture	Specifiction/Dosage
1.		Heat sink x1
2.		power shell x1
3.		Front cover x1
4.		Aluminum substrate power wire sealing ring x4
5.		Aluminum base power wire pressure boards x4
6.		$\phi 3 \times 8$ self tapping screw x81
7.		Power wire aluminum cover x1
8.		M4x16 Mechanical tooth screw (SUS316) x3
9.		M4x10 Mechanical tooth screw (SUS316) x2

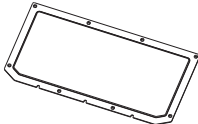
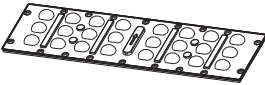


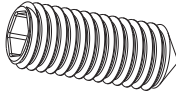
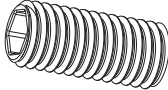

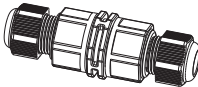





BOM

NO.:	Picture	Specifiction/Dosage
10.		M4 Mechanical tooth screw type spring pad (SUS316) ×5
11.		M4 Mechanical tooth screw O type Steel mat (SUS316) ×5
12.		M8×20 Mechanical tooth screw (SUS316) ×4
13.		M8 Mechanical tooth screw O type Steel mat (SUS316) ×4
14.		M8 Mechanical tooth screw O type Steel mat (SUS316) ×4
15.		Aluminum substrate with 4 power wire x1



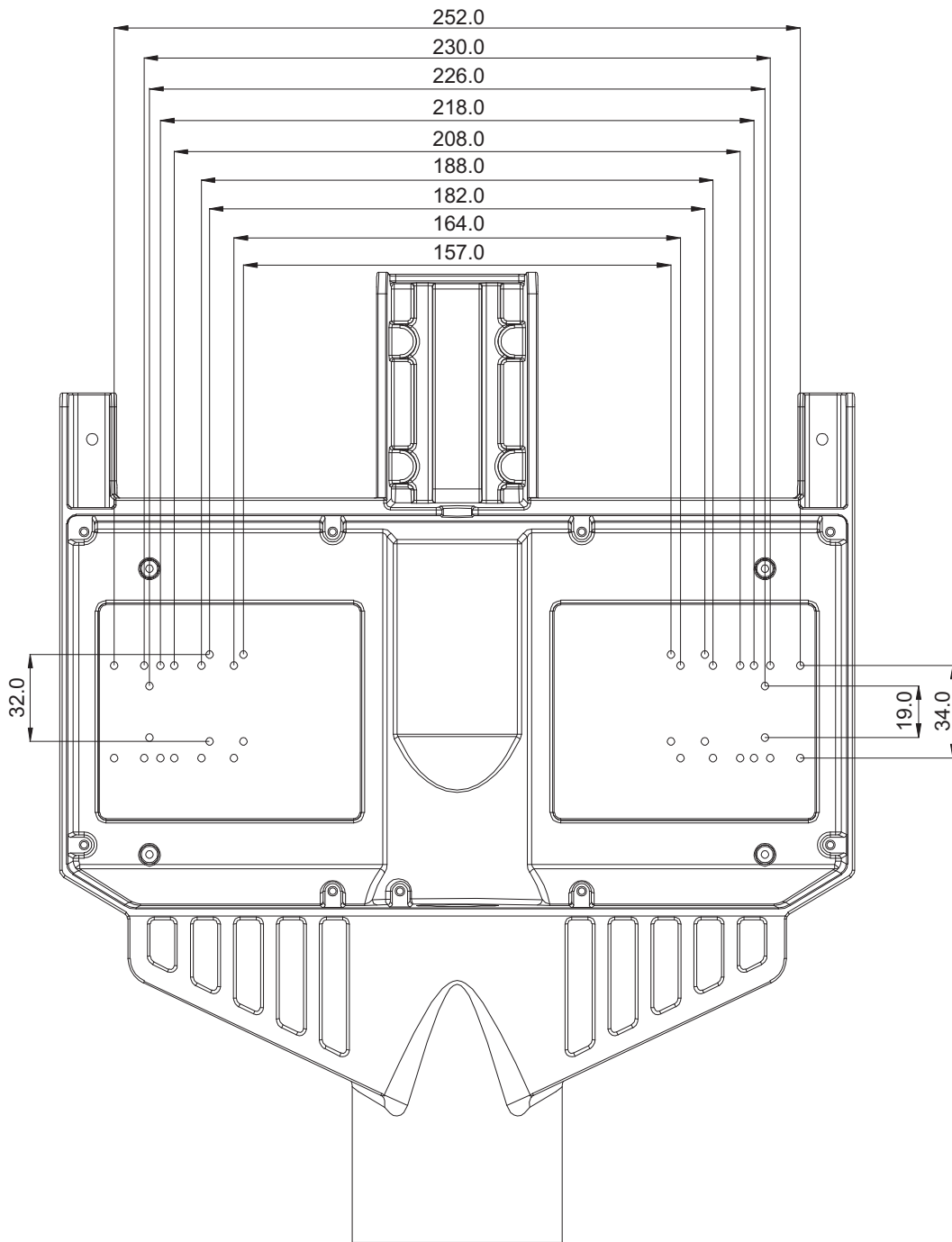
BOM

NO.:	Picture	Specifiction/Dosage
1.		Surface cover x1
2.		CREE lens x4
3.		Silicon seal of lens x4
4.		Aluminum substrate x4
5.		M8x26 Allen tail light mechan tooth stud (SUS316) x1
6.		M8x26 Allen convex tail light mechanical tooth stud (SUS316) x2
7.		M8 Mechanical tooth hexagonal nut (SUS316) x3
8.		Waterproof connectors x1
9.		Φ3x3.5 Flat ends self tapping screw x40
10.		Φ3.4x5 power screw x4
11.		Pressure coil x1



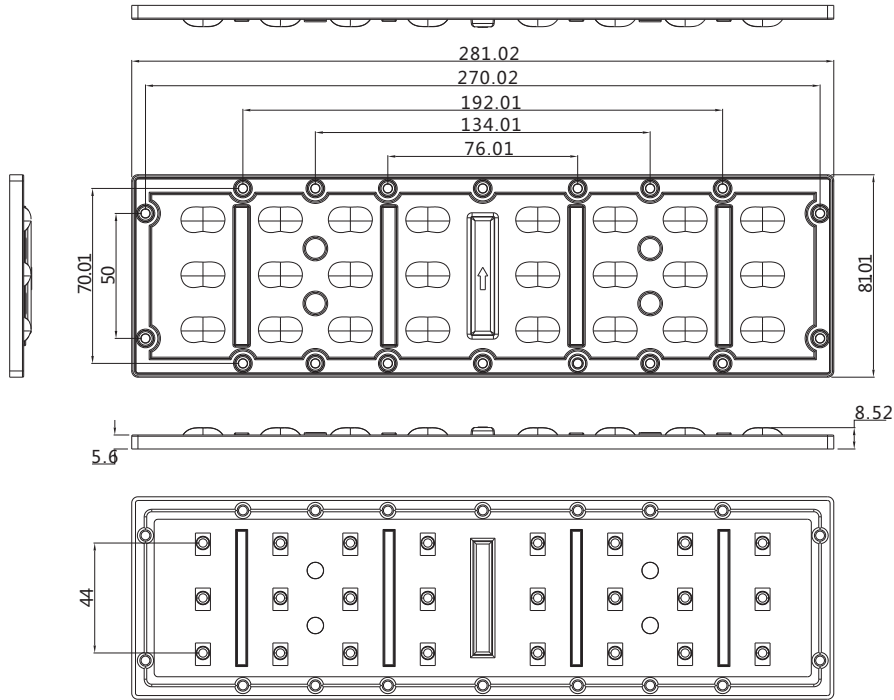
Driver cavity details

Unit : mm

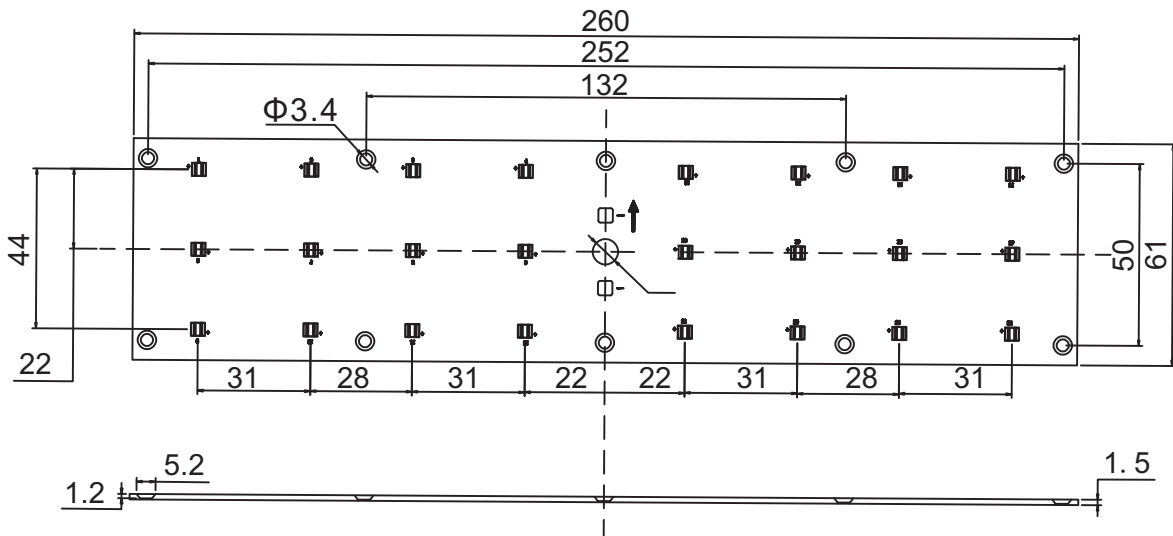




LED Lens and Aluminum plate



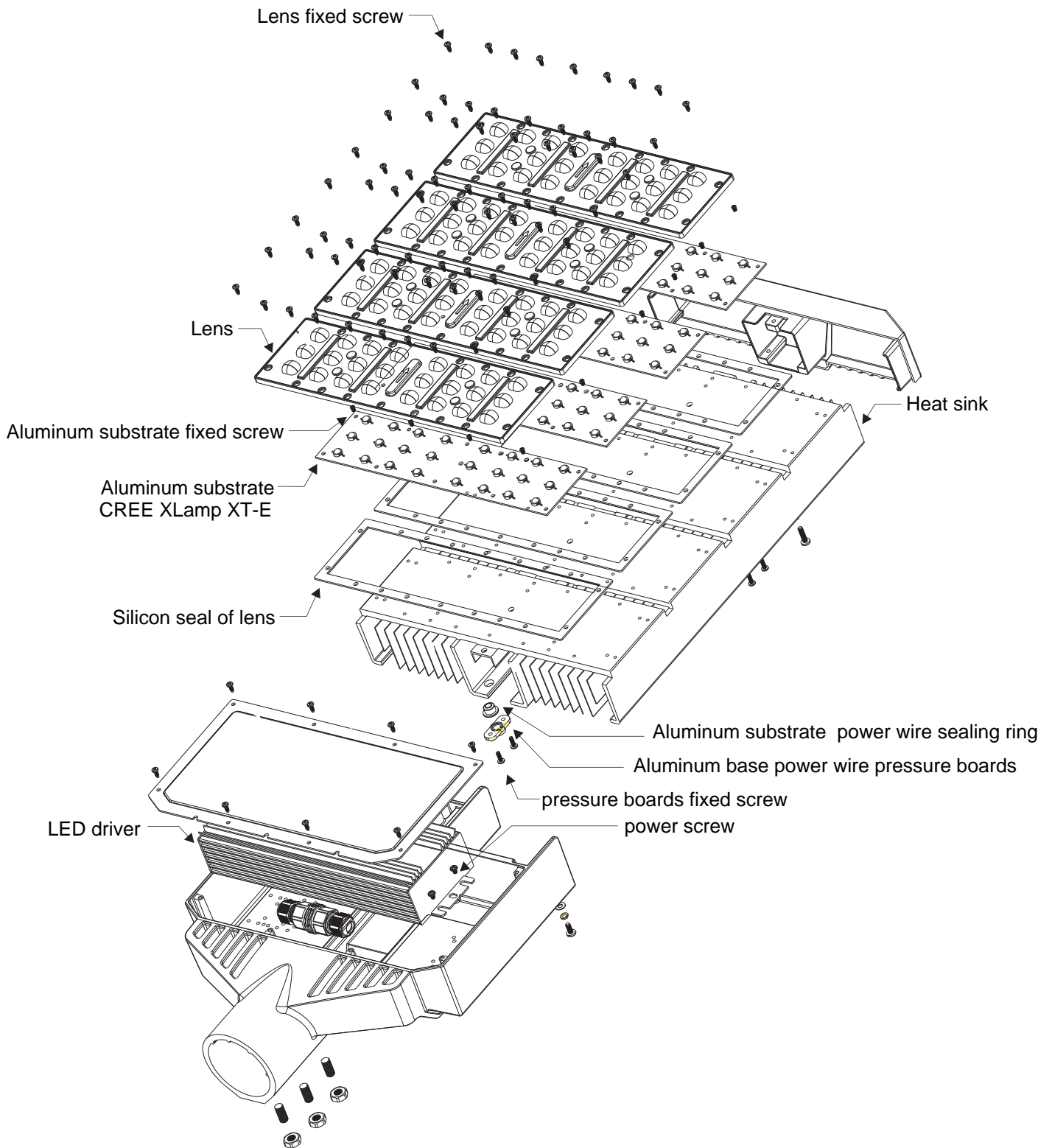
CREE XT-E/XP-E Lens



CREE XT-E/XP-E Aluminum plate



The explosion figure





Product dimension Dimension units : mm

