



FAT REPORT

Project No.	: HW20180807	Date	: 2018-9-4
Client	: India	Location	: Guangzhou, China
Equipment	: Scrolling Light Box	Manufacturer	: ADHAIWELL
Contact person	: NXXX	Contact person	: Lee
Model	: SPDE-HW76A	Product No.	: HW / INS01-06
SI No.	: HW20180901-06		
Surveyor	: NXXX, Lee		
Inspection	: NXXX, Lee		
Attendants	: NXXX, Lee		
Distribution	: 6 sets Scrolling Light Box		

Purpose of visit: We were requested to observe the FAT testing of 6 scrolling light box.

Test results:

FAT testing was started 4 Sep 2018 at 10:00 a.m. During the FAT portion of our visit, the following items were checked and the results were found to be acceptable:

- 1. Check the aluminum frame, cover size and diagonal error (1mm or less within 3 square meters, 2mm or less for 3 square meters or less)
- 2. Check the light box frame and cover aluminum 45° angle gap (within 0.5mm)
- 3. Check that all parts are installed with fastening screws and the electrical wiring fastening screws are not loose.
- 4. Check the reeling of the reel: (1mm / 1m or less)
- 5. check the parallelism of the two reels (within 0.5mm)
- 6. Check Grounding resistance (12v/10A/0.5Ω) and Insulation resistance ($\geq 2M \Omega$)
- 7. Check that the power cord is clamped, the grounding is good, and there is a retaining sleeve at the metal.
- 8. Check the surface of the light box and the panel without scratches, and the silkscreen has no defects or flower marks.
- 9. Check that the rolling system is working properly and the parameter settings are valid.
- 10. Check that the light box lighting system is stable and reliable, and there is no flicker.
- 11. Check the light box bracket mounting holes to match the physical dimensions of the drawing or bracket.
- 12. Check the inside and outside of the light box for cleanliness and no residual aluminum scrap.



HAIWELL (GZ) ADVERTISING INDUSTRIAL CO., LIMITED

Chaotian Industrial Zone, Guangzhou, China

TEL: 86-15302206052 FAX: 86-20-34700508 Email: adhaiwell@adhaiwell.com

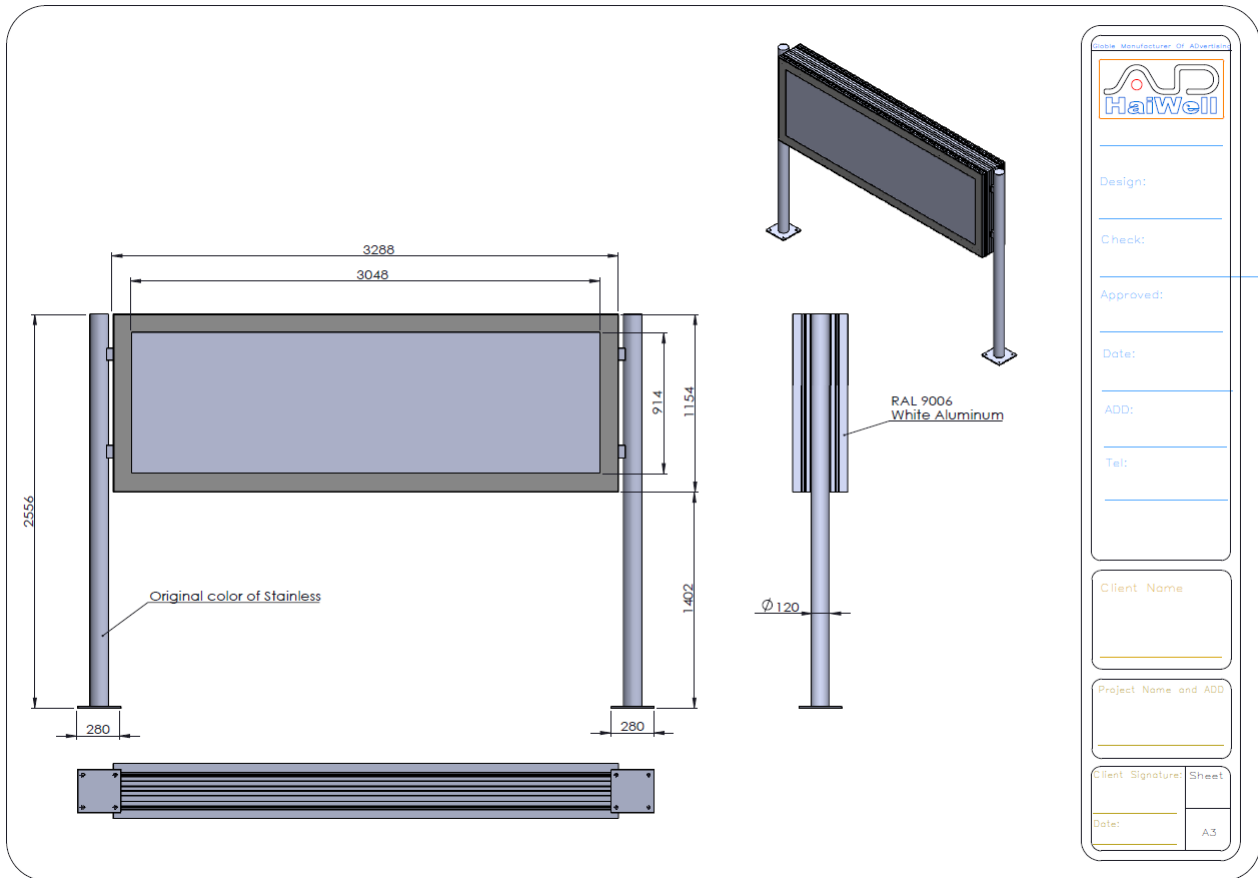
Additional function test (only check the lightbox has configured items):

- 1. Check that the power-off reset is valid and can be stopped on the nearest screen or specified screen as required.
- 2. Check that the illumination timing switch is valid and can switch the illumination according to the set time.
- 3. Check that the system time switch is valid and can switch the system according to the set time.
- 4. Check that the wired or wireless synchronization function is valid and the master or slave is operating normally.
- 5. Check that the GSM remote monitoring is working properly and can send and receive text messages normally.

Report made by: Lee	Checked by: NXXXX
Haiwell (GZ)Advertising Industrial Co., Limited	INDIA COMPANY
Signature:	Signature:
Date:	Date:



DESIGN FOR MAURITIUS AIR PORT



CURRENT FOR MAURITIUS AIR PORT





HAIWELL (GZ) ADVERTISING INDUSTRIAL CO., LIMITED

Chaotian Industrial Zone, Guangzhou, China

TEL: 86-15302206052 FAX: 86-20-34700508 Email: adhaiwell@adhaiwell.com

FAT PHOTOS IN FACTORY

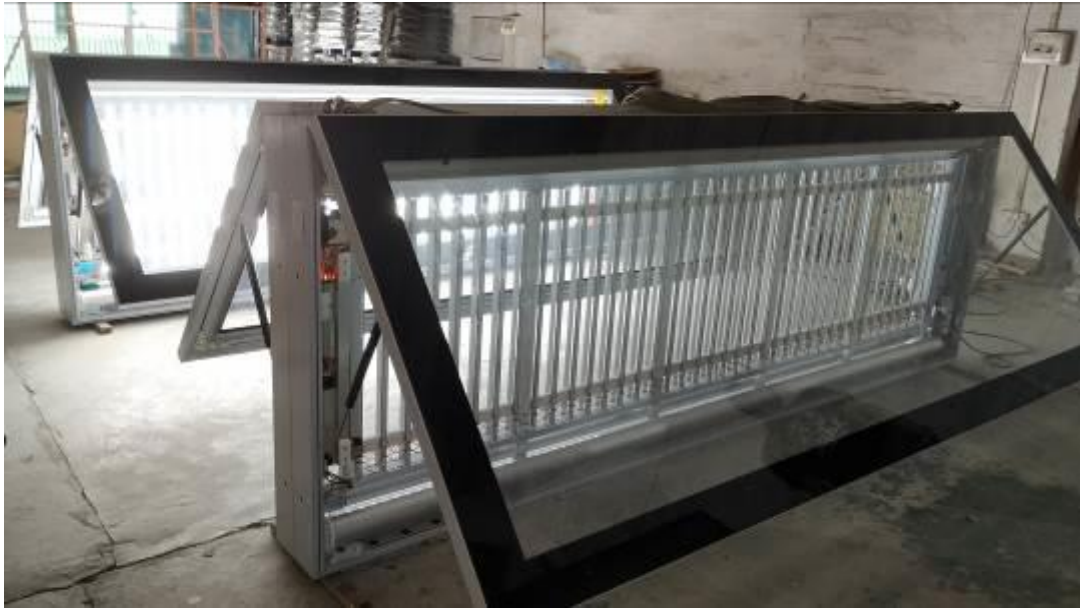




HAIWELL (GZ) ADVERTISING INDUSTRIAL CO., LIMITED

Chaotian Industrial Zone, Guangzhou, China

TEL: 86-15302206052 FAX: 86-20-34700508 Email: adhaiwell@adhaiwell.com

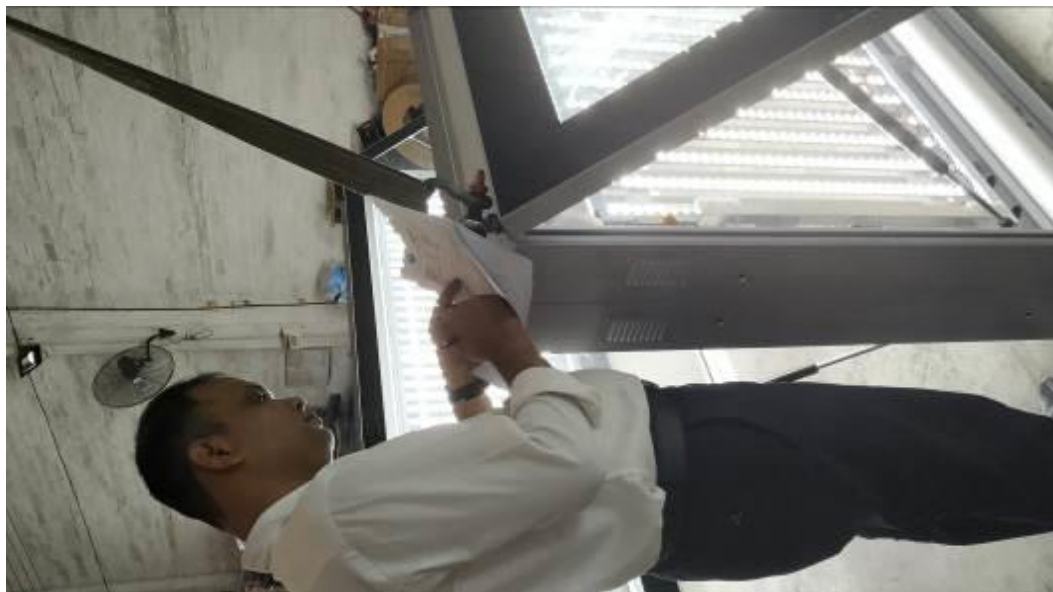




HAIWELL (GZ) ADVERTISING INDUSTRIAL CO., LIMITED

Chaotian Industrial Zone, Guangzhou, China

TEL: 86-15302206052 FAX: 86-20-34700508 Email: adhaiwell@adhaiwell.com





SCROLLING SYSTEM & LED LIGHTING





PACKAGE





HAIWELL (GZ) ADVERTISING INDUSTRIAL CO., LIMITED

Chaotian Industrial Zone, Guangzhou, China

TEL: 86-15302206052 FAX: 86-20-34700508 Email: adhaiwell@adhaiwell.com

SHIPPING & LOADING

