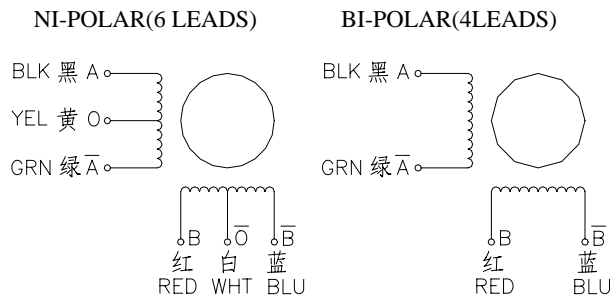


Standard Leadwire Configuration



Picture



Motor Electrical Specification

Series Model	Step Angle (°)	L (mm)	Rated Current (A)	Phase Resistance (Ω)	Phase Inductance (mH)	Holding Torque (N.cm)	Detent Torque (N.cm)	Lead Wire (NO.)	Motor Weight (g)
HL423-02813	1.8	34	1.3	2.4	2.8	28	1.6	4	220
HL423-02817	1.8	34	1.7	1.2	1.8	28	1.6	4	220
HL423-04017	1.8	40	1.7	1.5	2.8	40	2.2	4	280
HL423-04013	1.8	40	1.3	2.5	5.0	40	2.2	4	280
HL423-05217	1.8	48	1.7	1.8	3.2	52	2.6	4	350
HL423-05213	1.8	48	1.3	3.2	5.5	52	2.6	4	350
HL423-05223	1.8	48	2.3	1.2	1.6	52	2.6	4	350

Screw Specification

Screw Dia.(mm)	Travel Per Step(mm)	Lead(mm)
Tr6.35	0.0079	1.58
	0.0158	3.17
	0.0315	6.35
Tr8.00	0.0400	8

Mechanical Dimensions

