

Application

Mixer, Water-pump, Oil-pump, Air-pump and etc.

Picture



Characteristics

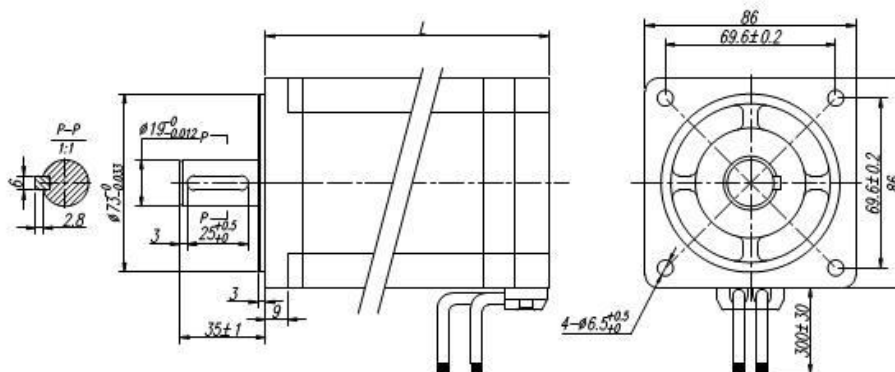
- Multi poles to increase the output torque
- Non-brush structure and long life design
- High torque density encapsulation
- High performance NdFeB magnet

Specification

Model	Rated power	Rated voltage	Current	Number of poles	Rated speed	Rated torque	Peak torque	Moment constant	Length	Weight
	W	VDC	A		rpm	N. cm	N. cm	N. cm/A		
D865-07058	220	48	5.8	8	3000	70	210	12	103	2.04
D865-07017	220	310	1.7			70	210	41.1	103	2.04
D865-14034	440	310	3.42			140	420	40.9	133	3.01
D865-21052	660	310	5.2			210	630	40.3	163	3.98

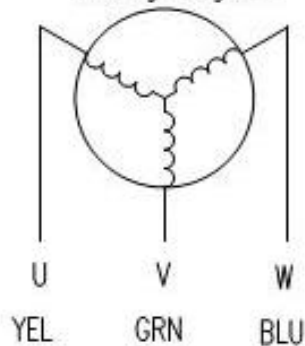
*Note: We can customize the special speed, Voltage, Assembled size.

Mechanical Dimensions



Wiring Diagram

Winding Diagram



Holzer Sensor Wiring Diagram

