

**General Specifications**

Step Angle(Accuracy )----- 1.8°(±5%)  
 Resistance Accuracy ----- ±10%  
 Inductance Accuracy ----- ±20%  
 Temperature Rise ----- 80°C Max.  
 Ambient Temperature ----- -10°C~50°C  
 Insulation Resistance ----- 100Mohm Min, 50VDC  
 Dielectric Strength ----- 500VAC for one minute  
 Shaft Radial Play ----- 0.06Max. (450 g-load)  
 Shaft Axial Play ----- 0.08Max.(450 g-load)

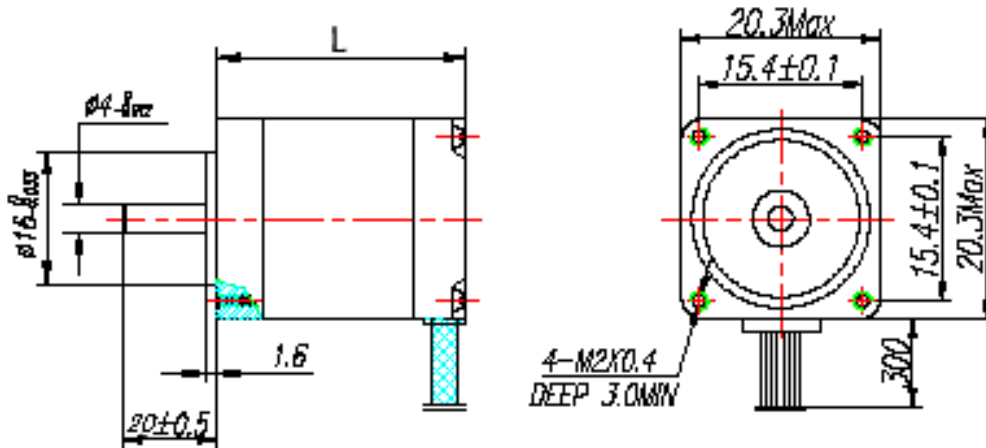
**Picture**



**Electrical Specification**

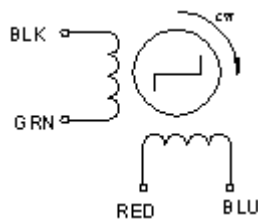
Series Model	Step Angle (°)	L (mm)	Rated Current (A)	Phase Resistance (Ω)	Phase Inductance (mH)	Holding Torque (N.cm)	Detent Torque (N.cm)	Lead Wire (NO.)	Motor Weight (g)
H201-00102	1.8	28	0.2	23	8.2	1.4	0.2	4	50
H201-00106	1.8	28	0.6	3.2	0.9	1.4	0.2	4	50
H201-00202	1.8	34	0.2	25	8.4	1.8	0.3	4	70
H201-00206	1.8	34	0.6	4.5	1.2	1.8	0.3	4	70
H201-00302	1.8	40	0.2	32	8.8	2.6	0.5	4	82
H201-00306	1.8	40	0.6	5.8	1.6	2.6	0.5	4	82

**Mechanical Dimensions**



**Standard Leadwire Configuration**

BI-POLAR(4 LEADS)



**Complementary Products:**

- Special shaft
- Encoders
- Connector
- Long leadwires