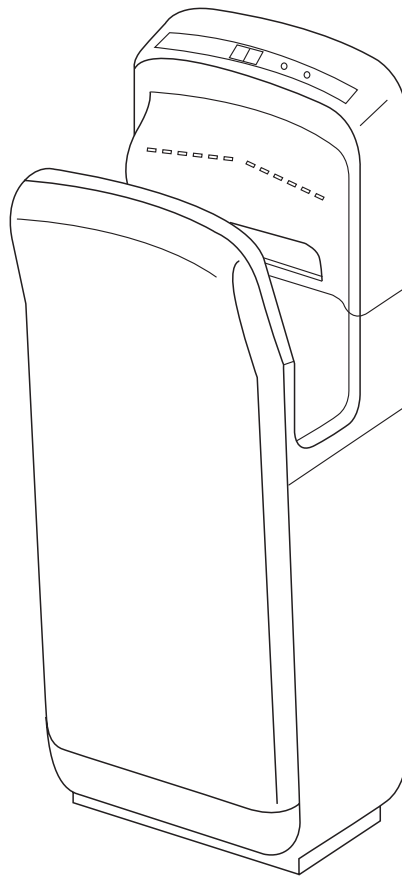


# Jet Hand Dryer-AK2006H

---



## Features

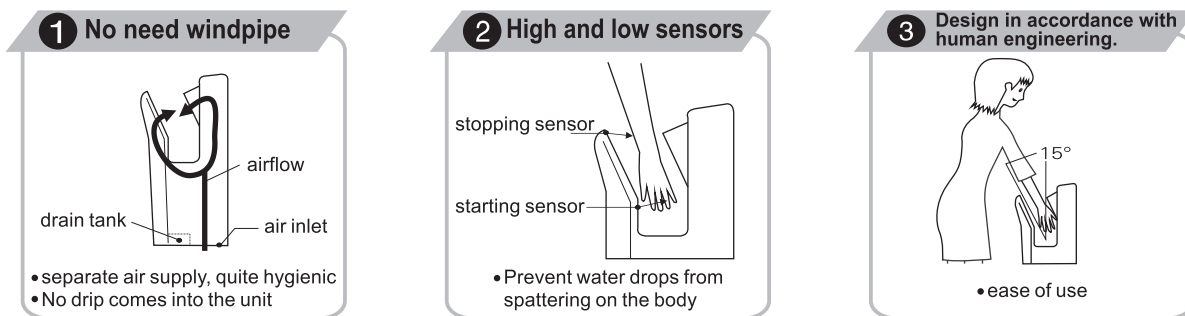
- Drying hands without contact, it's hygienic
- Electricity cost saving because of drying hands at high speed.
- It's economical & practical.
- Anti-damage timer, use unworried
- Do not use towels & tissues, no dispose of waste
- Anti-bacteria & environmental materials, no pollution
- Automatic heating, drying hands with comfortable in winter and drying
- Hands with cool in summer

### Customize your dryers' temperature:

1. Turn on the intelligent heat system. When the room temperature is higher than 25°C, AK2006H blows normal temperature air (700W). When the room temperature is below 25°C, It blows warm air (1850W)
2. Turn off the intelligent heat system. It blows normal temperature air (700W).
3. Turn on the intelligent heat system. Remove the temperature sensor(Explanation in the instructions), It always blows warm air (1850W).

### Anti-damage timer

Installed anti-damage timer, this machine will stop work after working 25 seconds. Draw out your hands and put again your hands into the dryer to continue use.



## SPECIFICATIONS

### ELECTRICAL

VOLTS	WATTS	NO HEAT WATTS	HERTZ	MOTOR
AC110-130V/220-240V	1650-2050W	650-850W	50/60 Hz	Brushless DC Motor

### DIMENSIONS

Height 685 mm(27")    Width 300 mm(11.8")    Depth 220 mm(8.7")

### ACTIVATION

Automatic Sensor Operated

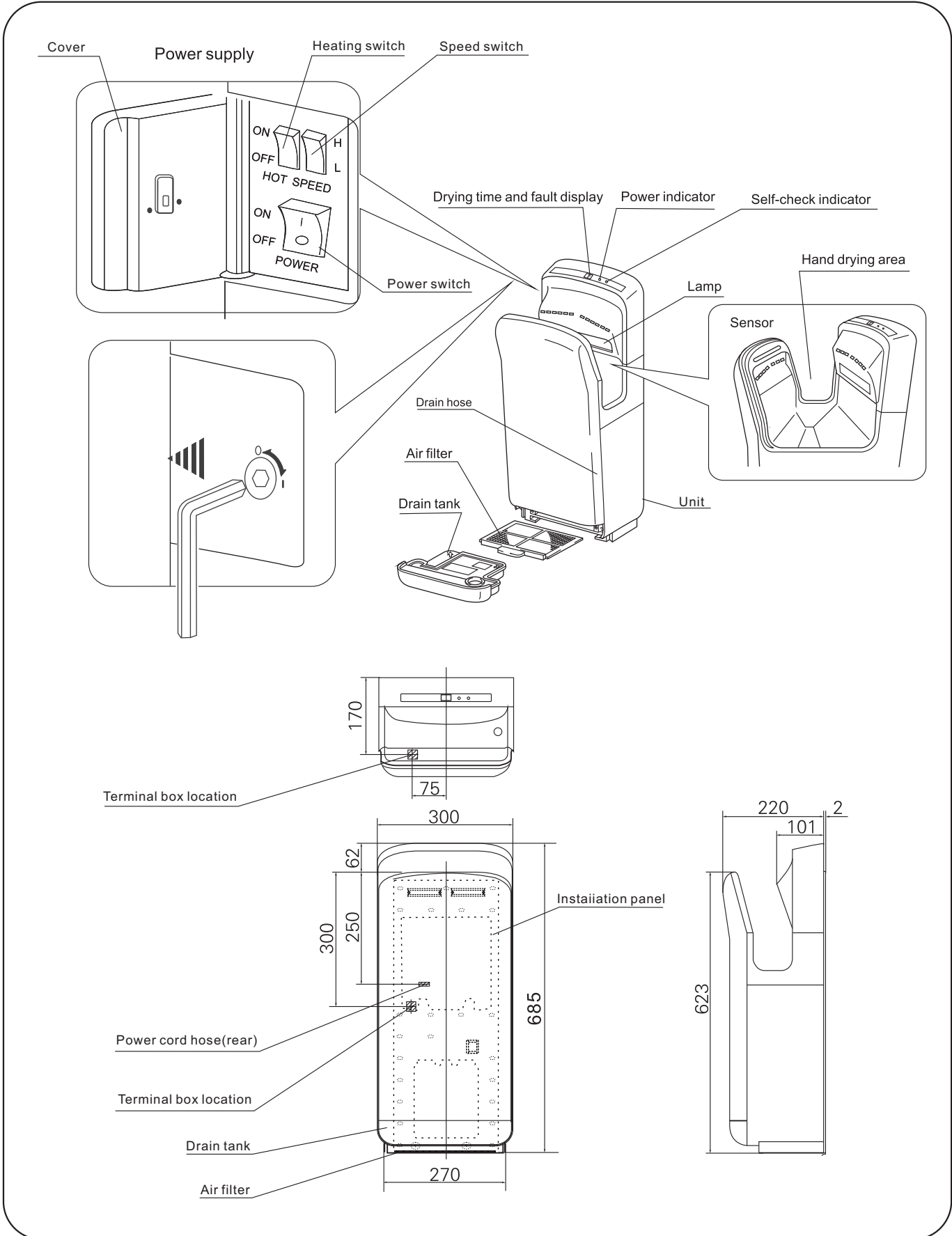
### MOUNTING

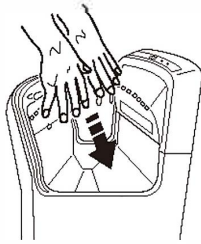
Surface Mounted

### WEIGHT

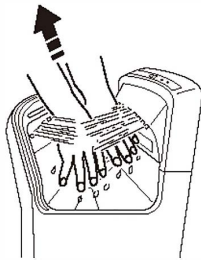
10.5 kg(23.1lbs)

# Parts name and dimension drawing

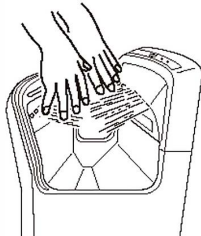


**■ Using the Unit**

Stretch out both hands and insert them all the way in.  
The unit starts to run automatically.



- Pull them out slowly, letting the air blow the water off.



- Pull them out completely.

**■ Self-check indicator**

When a malfunction or error occurs, the self-check indicator on the right side will either light up or flash.

Turn off the power switch, wait about 40 seconds until all the indicators go off, then turn on the power switch.

If the indicator still lights up or flashes, turn off the power, disconnect the unit from the socket, and contact your dealer immediately.

**Usage Label**

Stick the usage label on the visible place  
(the front of the unit or the wall nearby).

**◆ When using the unit**

**Turn on the power switch.**

- The power indicator lights up.
- The lamp lights up.
- The cover of power supply is closed.



**WARNING** personal injury accidents will happen if use improperly



Prohibited



Do not use in the bathtub or shower room



Do not allow The unit get wet



Prohibit disassembling



Please do complying with instruction



Ground



WARNING



- Do not open the front panel . otherwise, This may get an electric shock
- Children forbidden hanging on the machine, there are risk of falling.
- Do not use in a wet environment,for example,near the bathroom where it may get the direct water and the places where the condensation may form.otherwise,this may cause electric shock and unit malfunction.
- Do not allow the unit get wet.otherwise, it will cause electric shock
- Do not modify and disassemble the unit unnecessarily. Otherwise,this may cause a fire,electric shock,or personal injury.
- Rated power is required.
- If power tolerance is over +/-10%, there will be breakdown If using incorrect power supply, fire, electric shock and machine malfunction will happen.
- Please use dedicated socket If using together with other appliances, the socket may cause abnormal heat leading to fire.
- Power must be cut off when maintenance to prevent the risk of electric shock.
- Drain tank and air filter must be installed. Do not switch on after power connected for 10 seconds.
- If the machine doesn't work or have abnormal conditions, please cut off power to prevent accidents; and close leakage circuit breaker and ask supplier to check and repair, or it may lead to fire because of electricity leakage and short circuit
- It must have the reliable grounding wire otherwise it may cause electric shock risk when the unit failure or leakage
- Attention when installation: Do not install when the machine are power connected.
- It must operated by the professional construction person when install the unit If the construction incorrect, it may cause electric shock and fire accident
- This appliance is not intended for use by persons (including children) with reduced physical, sensory or mental capabilities, or lack of experience and knowledge, unless they have been given supervision or instruction concerning use of the appliance by a person responsible for their safety. If the cord is damaged, it must be replaced by the manufacturer, its service agent or similarly qualified persons in order to avoid a hazard. For additional protection, the installation of a residual current device (RCD) having a rated residual operating current not exceeding 30mA is advisable in the electrical circuit supplying the bathroom. ask your installer for advice.
- **Environmental Protection** Waste electrical products should not be disposed of with household waste. Please recycle where facilities exist. Check with your Local Authority or retailer for recycling advice.

