

Application

CNC Machine, Machine center, Robot, Spaceflight, War Industry, Artificial Limb

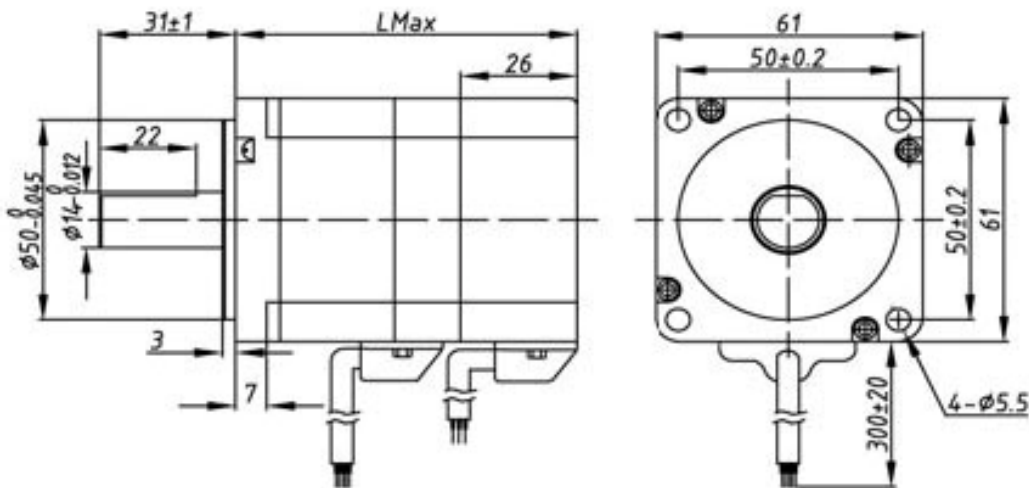
Picture



Complementary Products:

High reduction ratios with concentric shafts
Very low backlash and vibration

Mechanical Dimensions



Specification

Model	Rated power	Rated voltage	Current	Number of poles	Rated speed	Rated torque	Peak torque	Moment constant	Length	Weight	Encoder
	W	V	A		rpm	N. m	N. m	N. m/A	mm	Kg	p/k
D606-02529	78	36	2.89	8	3000	0.25	0.75	0.11	52	0.9	1000
D606-05043	156	48	4.33	8	3000	0.5	1.5	0.64	73	1.25	1000
D606-07512	235	310	1.16	8	3000	0.75	2.25	0.64	94	1.6	1000