



10ND65-16

10in Low Frequency Speaker

Features

- 2.5in Voicecoil
- High Sensitivity
- Die Cast Aluminium Basket
- Advanced Cooling Design

Specifications

Nominal Diameter	250mm (10in)
Nominal Power (AES) ¹	250W
Program Power ²	500W
Sensitivity (1W/1m) ³	97dB
Voice Coil Diameter	65mm (2.5in)
Magnet Material	Neodymium
Nominal Impedance	16Ω
Frequency Range	62 - 6500Hz

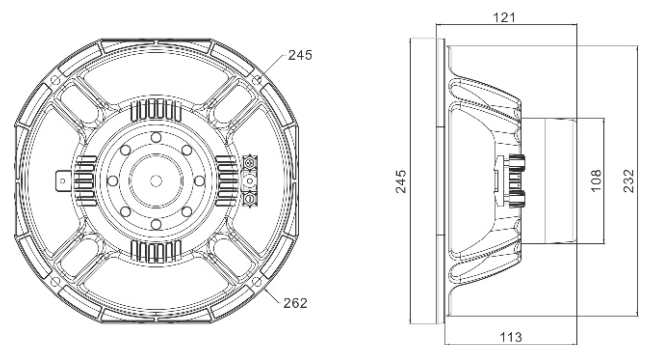
Thiele & Small Parameters

Fs	62.6Hz
Qes	0.43
Qts	0.42
Qms	16.6
Re	10.9Ω
Sd	349cm ²
Vas	30.2L
BxL	19.2Tm
Mms	37.1g
Le (1kHz)	0.7mH
Xmax (lin.) ⁴	±4.25mm

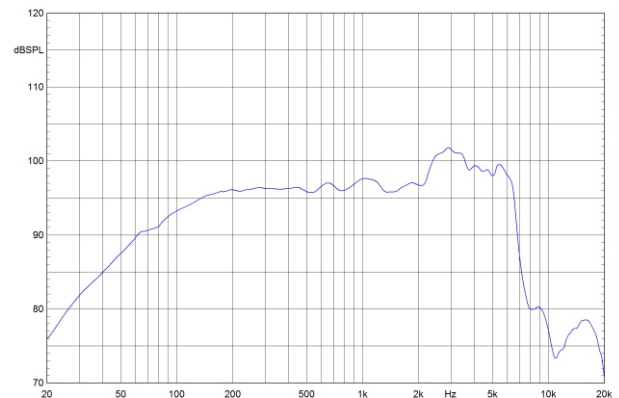
Mounting Information

Overall Diameter	262mm
Mounting Holes Diameter	4x 8mm x 6.5mm
Bolt Circle Diameter	245mm
Baffle Cutout	233mm
Overall Depth	121mm
Net Weight	3.0kg

- Notes:**
- 1 2 hours test with pink noise (6dB crest) between Fs and 10Fs. Power calculated on rated minimum impedance.
 - 2 Program Power is defined as 3dB greater than the AES Power
 - 3 RMS Voltage set to 2.83V at nominal impedance
 - 4 Xmax is defined as (Hc - Hg)/2



Frequency response measured in a quasi-infinite baffle



Impedance for 16Ω driver

