

Application

Printer, Home applications, Auto machine and etc.

Characteristics

No. of Phase: 3
 Insulation Class: B 130 degree
 Dielectric Strength: 600VAC 1SEC
 Insulation Resistance: 100M Ohm@500VDC

Picture

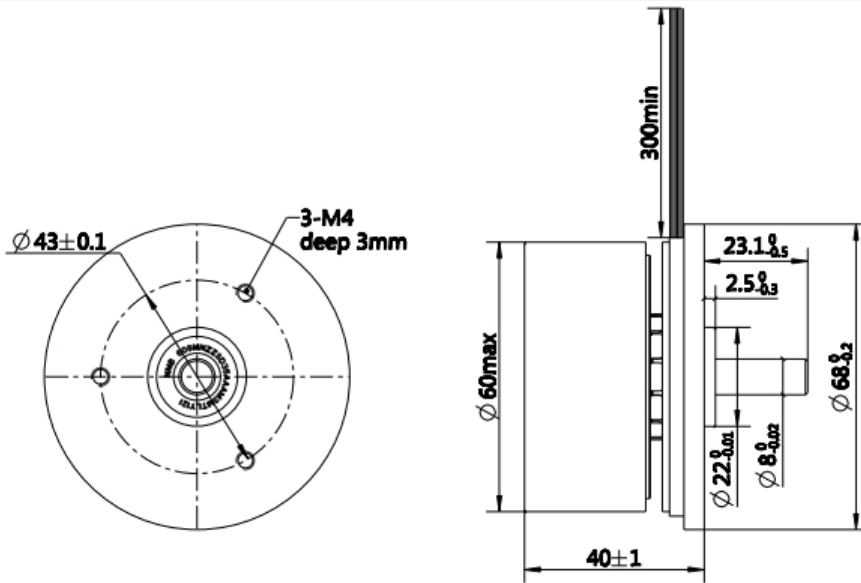


Specification

Model	Resitance	Rated voltage	Current	Number of poles	Rated speed	Rated torque	Peak torque	Moment constant	Length	Weight
	Ohm	VDC	A		rpm	N. cm	N. cm	N. cm/A		
D605-03060	0.17±10%	24	6	14	3700	30	90	50	40	0.6

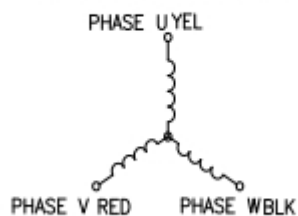
*Note: We can customize the special speed, Voltage, Assembled size.

Mechanical Dimensions



Wiring Diagram

THREE-PHASE CONNECTING



HALL CONNECTING

