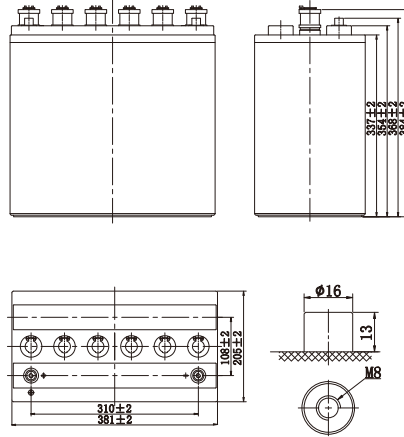


### Application

- ◆ Telecommunications.
- ◆ Radio and cellular telephone relay stations.
- ◆ Emergency lighting systems.
- ◆ Power stations, Conventional power stations,
- ◆ Alternative power (solar, wind).
- ◆ Large UPS and computer back-up .
- ◆ Railway signalling.
- ◆ Maritime standby power on ships and ashore.
- ◆ Standby power.
- ◆ Buoy lighting.
- ◆ Long service life, designed life 15-20 years.



### Specification

Nominal Voltage	12V		Self Discharge	CBB batteries may be stored for up to 6 months at 20°C(68°F) and then a freshening charge is required. For higher temperatures the time interval will be shorter.	
Capacity(10HR)	150AH (1.8V/cell, 20 °C)			Current	Max. Discharge Current(5s)
Dimensions	Length	381 ± 2mm (15.0 inches)	Operating Temp. Range		Discharge
	Width	205 ± 3mm (8.07 inches)		Charging	0~40°C(32~104°F)
	Height	337 ± 3mm (13.27 inches)		Storage	-15~45°C(5~113°F)
	Total height	384 ± 3mm (15.12 inches)		Container Material	SAN transparent container
Approx Weight	Without Electrolyte 53.04kg (117.0lbs)		Terminal	M8	
	With Electrolyte 67.44 kg (148.7lbs)			Charging	Floating voltage: 13.4 V~13.6V at 20 °C(68 °F)Temp.
Rated Capacity	160.6 AH/8.03A (20hr, 1.80V/cell, 20 °C/68 °F)		Boost charge: 14.0 V~14.4V at 20 °C(68 °F)Temp.		
	150.0 AH/15.0A (10hr, 1.80V/cell, 20 °C/68 °F)		Charging current(max.): 0.1CA		
	124.0 AH/24.8A (5hr, 1.75V/cell, 20 °C/68 °F)		Temp.Coefficient -3mV/ ° C		
	105.9 AH/35.3A (3hr, 1.75V/cell, 20 °C/68 °F)				
	80.6 AH/80.6A (1hr, 1.60V/cell, 20 °C/68 °F)				

### Constant Current Discharge (Amperes) at 20°C (68°F)

F.V(V/cell)	15min	30min	1H	2H	3H	4H	5H	8H	10H	20H
1.85	110.5	88.0	61.5	40.0	31.2	25.9	22.4	16.4	14.0	7.51
1.80	130.3	97.7	66.5	43.2	33.4	27.6	23.8	17.6	15.0	8.03
1.75	148.8	105.7	70.7	45.8	35.3	28.9	24.8	18.1	15.3	8.13
1.70	162.0	113.0	74.4	47.7	36.5	30.0	25.7	18.6	15.5	8.24
1.65	173.3	118.8	78.0	49.1	37.3	30.6	26.3	18.9	15.8	8.33
1.60	182.9	123.7	80.6	50.6	38.2	31.2	26.8	19.1	16.0	8.44

### Constant Power Discharge (Watts/Cell) at 20°C (68°F)

F.V(V/cell)	15min	30min	1H	2H	3H	4H	5H	8H	10H	20H
1.85	209.0	168.8	119.2	78.1	61.1	50.8	44.0	32.4	27.6	14.9
1.80	241.5	184.2	127.1	83.4	64.6	53.4	46.3	34.3	29.3	15.7
1.75	272.1	196.9	133.3	87.1	67.2	55.3	47.5	34.8	29.4	15.7
1.70	292.4	208.4	139.1	89.9	69.0	57.0	48.9	35.5	29.7	15.8
1.65	308.8	216.5	144.5	91.7	70.0	57.7	49.6	35.8	29.9	15.8
1.60	320.2	222.0	147.2	93.4	70.7	57.9	49.7	35.7	30.0	15.8