

SimpoleD

SimpoleD-LUM-160150 for LumiLEDs Modular Passive LED Cooler Φ 160mm

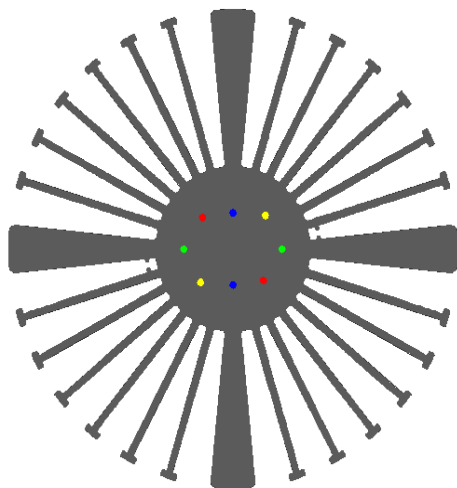
Features VS Benefits

- * The SimpoleD-LUM-160150 LumiLEDs Modular Passive LED Coolers are specifically designed for luminaires using the LumiLEDs LED engines.
- * Mechanical compatibility with direct mounting of the LED engines to the LED cooler and thermal performance matching the lumen packages.
- * For spotlight and downlight designs from 7000 to 1,3000 lumen.
- * Thermal resistance range R_{th} 0.42°C/W.
- * Modular design with mounting holes foreseen for direct mounting of LUMILEDS Luxeon K and LuxeonCOB engines.
- * Diameter 160mm - standard height 150mm Other heights on request.
- * Extruded from highly conductive aluminum.



Zhaga LED engine and radiator assembly is a unified future international standardization

- * Below you find an overview of LumiLEDs engines COB's and LED modules which standard fit on the SimpoleD coolers.
- * In this way mechanical after work and related costs can be avoided, and lighting designers can standardize their designs on a limited number of LED coolers.



LumiLEDs COB Module for which Zhaga book3 LED Modules holders are available.

lumi Luxeon COB 1208 Modules:

LHC1-2780-1208;	LHC1-4070-1208;
LHC1-2790-1208;	LHC1-4080-1208;
LHC1-3080-1208;	LHC1-4090-1208;
LHC1-3090-1208;	LHC1-5080-1208;
LHC1-3580-1208;	LHC1-5570-1208;
LHC1-3590-1208;	

Zhaga Book3 Green indicator marks;
TE Holder:2213130-2 ;
BJB Holder:43.319.2011.50 ;
Mounting with machine screws M3x6mm.

lumi Luxeon COB 1211 Modules:

LHC1-2780-1211;	LHC1-4070-1211;
LHC1-2790-1211;	LHC1-4080-1211;
LHC1-3080-1211;	LHC1-4090-1211;
LHC1-3090-1211;	LHC1-5070-1211;
LHC1-3580-1211;	LHC1-5080-1211;
LHC1-3590-1211;	LHC1-5570-1211;

Zhaga Book3 Green indicator marks;
BJB Holder:43.319.2030.50;
Mounting with machine screws M3x6mm.

Lumi LED engines directly Mounting Options

lumi LuxeonCOB 1211 Modules Mounting Options.

LHC1-2780-1211;	LHC1-4070-1211;
LHC1-2790-1211;	LHC1-4080-1211;
LHC1-3080-1211;	LHC1-4090-1211;
LHC1-3090-1211;	LHC1-5070-1211;
LHC1-3580-1211;	LHC1-5080-1211;
LHC1-3590-1211;	LHC1-5570-1211;

Direct mounting with machine screws M3x6mm;
Yellow indicator marks.

SimploLED

SimploLED-LUM-160150 for LumiLEDs Modular Passive LED Cooler Φ 160mm

Mounting Options and Drawings & Dimensions

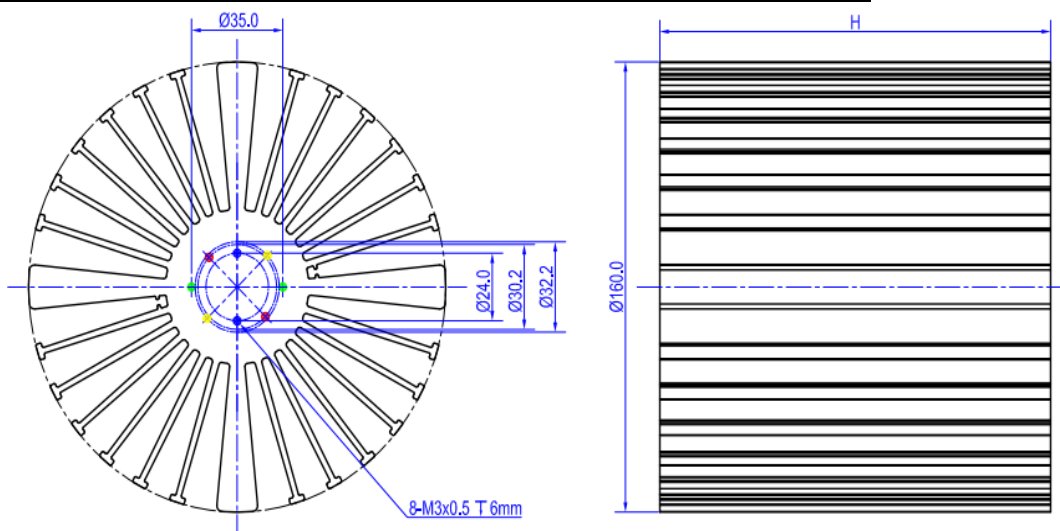
Example: SimploLED-LUM-16050-B-3

Example: SimploLED-LUM-160 **1** - **2** - **3**

- 1** Height (mm)
- 2** Anodising Color
 - B-Black
 - C-Clear
 - Z-Custom
- 3** Mounting Options - see graLUMcs for details Combinations available
 - Ex.order code - 12
 - means option 1 and 2 combined



MOUNTING OPTION	Module type	Holder NO.	THREAD	THREAD DEPTH	THREAD HOLE DISTANCE
1	Luxeon K 12-UP Luxeon K 16-UP	/	M3	6mm	24.0mm/ 2-@180°
2	Luxeon K 24-UP	/	M3	6mm	30.2mm/ 2-@180°
3	LuxeonCOB1211	/	M3	6mm	32.2mm/ 2-@180°
4	LuxeonCOB1204	BJB :43.319.2011.50	M3	6mm	35.0mm/ 2-@180°
	LuxeonCOB1205	TE:2213130-2			
	LuxeonCOB1208				
	LuxeonCOB1211	BJB:43.319.2030.50			
	Luxeon K 12-UP Luxeon K 16-UP	BJB:47.319.2070.50 TE:2213134-2			



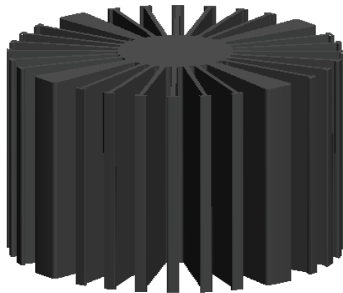
Notes:

- Mentioned models are an extraction of full product range.
- For specific mechanical adaptations please contact MingfaTech.
- MingfaTech reserves the right to change products or specifications without prior notice.

SimpoleD

SimpoleD-LUM-160150 for LumiLEDs Modular Passive LED Cooler Φ 160mm

The thermal data table

	 <p><i>SimpoleD-160150</i></p>
Model No.	SimpoleD-LUM-160150
Size	Φ160xH150mm
Material	AL6063-T5
Finish	Black Anodized
Weight(g)	3155.0
Thermal Wattage	120.0W
HeatsinkΘs-a²	506323
Heat Sink T Rise Above Ambient	0.42

Dissipated Power Pd(W)	Pd = Pe x (1- η L)	Heat sink to ambient thermal resistance Rhs-amb ($^{\circ}$ C/W)	Heat sink to ambient temperature rise Ths-amb ($^{\circ}$ C)
		SimpoleD-LUM-160150	SimpoleD-LUM-160150
25.0		0.56	14.0
45.0		0.53	24.0
60.0		0.50	30.0
75.0		0.47	35.0
90.0		0.44	40.0
100.0		0.43	43.0
120.0		0.42	50.0

