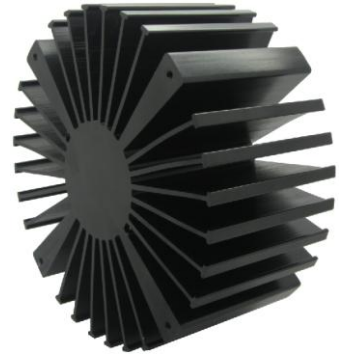


SimpoleD

SimpoleD-LUN-160100 for Luminus Modular Passive LED Cooler Φ 160mm

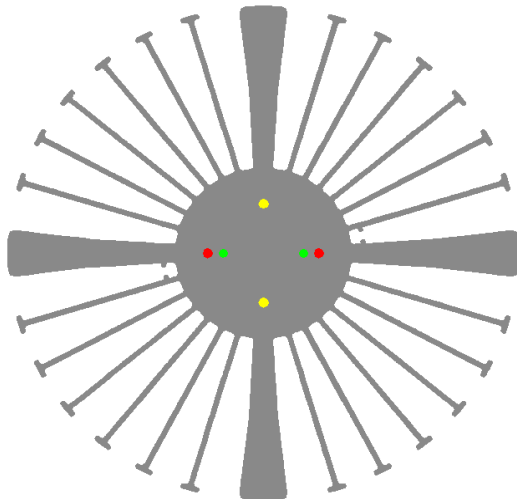
Features VS Benefits

- * The SimpoleD-LUN-160100 Luminus Modular Passive LED Coolers are specifically designed for luminaires using the Luminus LED engines.
- * Mechanical compatibility with direct mounting of the LED engines to the LED cooler and thermal performance matching the lumen packages.
- * For spotlight and downlight designs from 2000 to 12000 lumen.
- * Thermal resistance range Rth 0.48°C/W.
- * Modular design with mounting holes foreseen for direct mounting of Luminus COB LED engines.
- * Diameter 160mm - standard height 100mm Other heights on request.
- * Extruded from highly conductive aluminum.



Luminus LED engine and radiator assembly directly Mounting Options

- * Below you find an overview of Luminus COB's and LED modules which standard fit on the SimpoLED coolers.
- * In this way mechanical after work and related costs can be avoided, and lighting designers can standardize their designs on a limited number of LED coolers.



Luminus LED engines Mounting Options

CXM-22 COB Arrays LED Modules names:

- CXM-22-27-XX-36-AC00-XX-X;
- CXM-22-30-XX-36-AC00-XX-X;
- CXM-22-35-XX-36-AC00-XX-X;
- CXM-22-40-XX-36-AC00-XX-X;
- CXM-22-50-XX-36-AC00-XX-X;
- CXM-22-65-XX-36-AC00-XX-X;

CHM-22 COB Arrays LED Modules names:

- CHM-22-27-XX-36-AC00-XX-X;
- CHM-22-30-XX-36-AC00-XX-X;
- CHM-22-35-XX-36-AC00-XX-X;
- CHM-22-40-XX-36-AC00-XX-X;
- CHM-22-50-XX-36-AC00-XX-X;
- CHM-22-65-XX-36-AC00-XX-X;

With Zhaga Book 3 for red indicator marks:

- BJB Holder:47.319.2030.50;
- AAG.STUCCHI holder:8102-G2;
- Direct mounting with machine screws M3x6mm;
- Without LED holders for yellow indicator marks.
- Direct mounting with machine screws M3x6mm;

Luminus CHM-18,CVM-18 LED engines.

- CHM-18-27-XX-36-AC00-XX-X;
- CHM-18-30-XX-36-AC00-XX-X;
- CHM-18-35-XX-36-AC00-XX-X;
- CHM-18-40-XX-36-AC00-XX-X;
- CHM-18-50-XX-36-AC00-XX-X;
- CHM-18-65-XX-36-AC00-XX-X;

- CVM-18-31-XX-36-AA00-XX-X;
- CVM-18-56-XX-36-AA00-XX-X;

- Green indicator marks.**
- Direct mounting with machine screws M2x6mm;

SimpoleD **SimpoleD-LUN-160100 for Luminus Modular Passive LED Cooler Φ 160mm**

Mounting Options and Drawings & Dimensions

Example: SimpoleD-LUN-160100-B-3

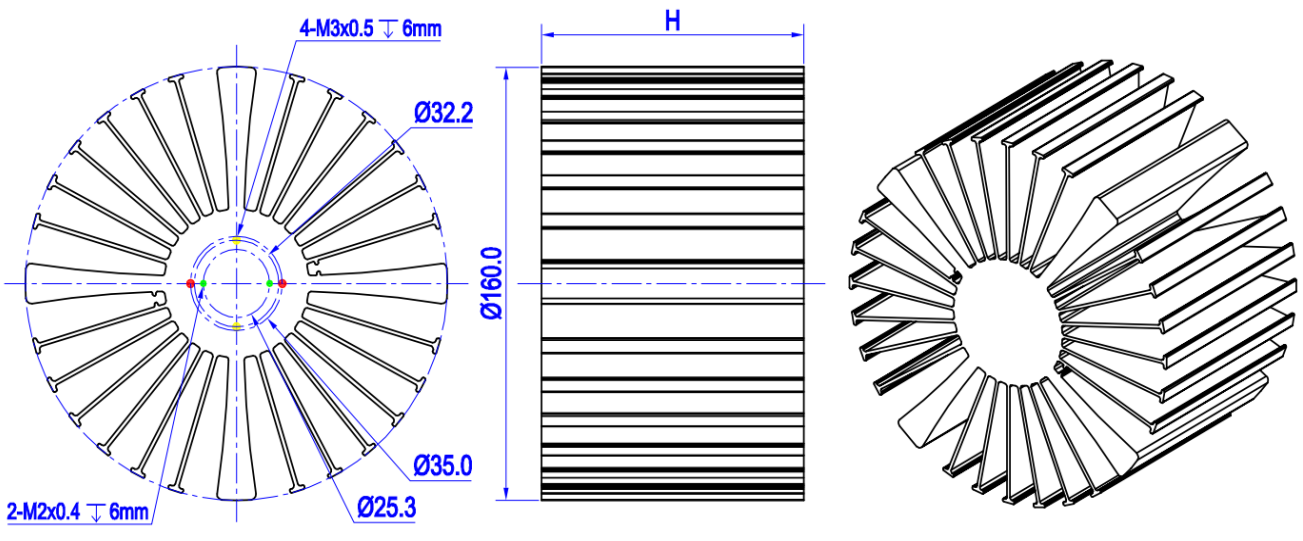
Example: SimpoleD-LUN-160 **1** - **2** - **3**

- 1** Height (mm)
- 2** Anodising Color
B-Black
C-Clear
Z-Custom
- 3** Mounting Options - see graphics for details Combinations available
Ex.order code - 12
means option 1 and 2 combined



Notes:
 - Mentioned models are an extraction of full product range.
 - For specific mechanical adaptations please contact MingfaTech.
 - MingfaTech reserves the right to change products or specifications without prior notice.

| MOUNTING OPTION | Module type | Holder NO. | THREAD | THREAD DEPTH | THREAD HOLE DISTANCE |
|-----------------|------------------|------------------------|--------|--------------|----------------------|
| 1 | CHM-18 CVM-18 | / | M2 | 6mm | 25.3mm/ 2-@180° |
| 2 | | / | M3 | 6mm | 32.2mm/ 2-@180° |
| 3 | CXM-22 CHM-22 | AAG.STUCCHI 8102-G2 | M3 | 6mm | 35.0mm/ 2-@180° |
| | | BJB 47.313.2030.50 | | | |



SimpoleD

SimpoleD-LUN-160100 for Luminus Modular Passive LED Cooler Φ 160mm

The thermal data table

| | |
|---|--|
| |  <i>SimpoleD-160100</i> |
| Model No. | SimpoleD-LUN-160100 |
| Size | Φ160xH100mm |
| Material | AL6063-T5 |
| Finish | Black Anodized |
| Weight(gr) | 2104.0 |
| Thermal Wattage | 100.2W |
| HeatsinkΘs-a² | 342742 |
| Heat Sink T Rise Above Ambient | 0.48 |

| Dissipated Power Pd(W) | Pd = Pe x (1- η L) | |
|------------------------|--|--|
| | Heat sink to ambient thermal resistance Rhs-amb (°C/W) | Heat sink to ambient temperature rise Ths-amb (°C) |
| | SimpoleD-LUN-160100 | SimpoleD-LUN-160100 |
| 15.0 | 0.64 | 9.6 |
| 30.0 | 0.56 | 16.8 |
| 45.0 | 0.52 | 23.4 |
| 60.0 | 0.50 | 30.0 |
| 75.0 | 0.48 | 36.0 |
| 90.0 | 0.46 | 41.4 |
| 100.0 | 0.48 | 48.0 |

