



for

LED

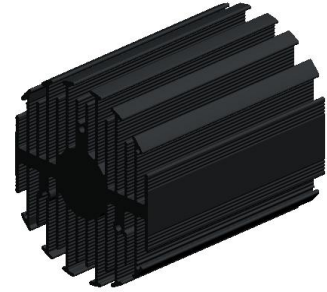


eLED

eLED-LUME-7080 Lumens Modular Passive Star LED Heat Sink Φ 70mm

Features VS Benefits

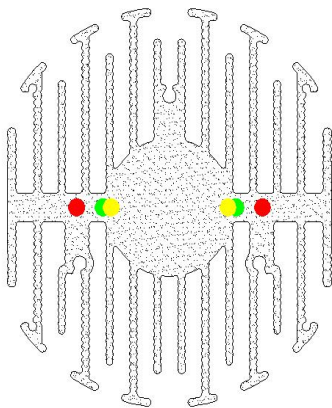
- * The eLED-LUME-7080 Lumens Modular Passive Star LED Heat Sinks are specifically designed for luminaires using the Lumens LED engines.
- * Mechanical compatibility with direct mounting of the LED engines to the LED cooler and thermal performance matching the lumen packages.
- * For spotlight and downlight designs from 1200 to 3000 lumen.
- * Thermal resistance range R_{th} 1.77°C/W.
- * Modular design with mounting holes foreseen for direct mounting of Lumens ERC1507, ERC1512, ERC1820 LED and AC-ALL series engines.
- * Diameter 70mm - standard height 80mm Other heights on request.
- * Extruded from highly conductive aluminum.



Zhaga LED engine and radiator assembly is a unified future international standardization

- * Below you find an overview of Lumens COB's and LED modules which standard fit on the eLED Star LED Heat Sinks.
- * In this way mechanical after work and related costs can be avoided, and lighting designers can standardize their designs on a limited number of Star LED Heat Sinks.

LUMENS



Lumens LED engines for which Zhaga LED Modules holders are available.

For the ERC1507/1512 LED engines.

ERC1507S827HE;
 ERC1507S830HE;
 ERC1507S835HE;
 ERC1507S840HE;
 ERC1507S850HE;
 ERC1507S927HE;
 ERC1507S930HE;
 ERC1507S935HE;

ERC1512S827HE;
 ERC1512S830HE;
 ERC1512S835HE;
 ERC1512S840HE;
 ERC1512S850HE;
 ERC1512S927HE;
 ERC1512S930HE;
 ERC1512S935HE;

Mounting with machine screws M3x8mm;

NO.1:With Zhaga Book 3 LED holder for red indicator marks.

(Ideal Holder:50-2001CR);

NO.2:With Zhaga Book 11 LED holder for gree indicator marks.

(BJB holder:47.319.6101.50);

(AAG.STUCCHI 8400-G2);

NO.3:Without the LED holder for yellow indicator marks.

Please refer to the www.lumensleds.com data provided on the manual.

Tel:+86-769-39023131

E-fax:+86-(020)28819702 ext:22122

Email:sales@mingfatech.com

Http://www.heatsinkled.com

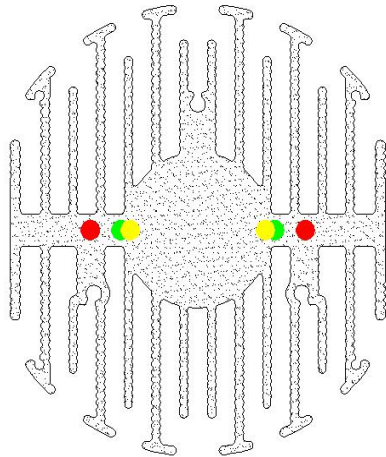
Http://www.mingfatech.com



eLED

eLED-LUME-7080 Lumens Modular Passive Star LED Heat Sink Φ 70mm

LUMENS



Lumens LED engines for which Zhaga LED Modules holders are available.

For the ERC1820 LED engines.

ERC1820S827HE;
ERC1820S830HE;
ERC1820S835HE;
ERC1820S840HE;
ERC1820S850HE;
ERC1820S927HE;
ERC1820S930HE;
ERC1820S935HE;

Mounting with machine screws M3x8mm;

NO.1:With Zhaga Book 3 LED holder for red indicator marks.

(Ideal Holder:50-2101CR);

(BJB holder:47.319.2131.50);

NO.2:Without the LED holder for green indicator marks.

For the AC-ALL series LED engines.

EDC/47C/9W/XXX/230V/A;
EDC/47C/10W/XXX/230V/A;
EDC/47C/12W/XXX/230V/A;
EDC/47C/15W/XXX/230V/A;
EDC/47C/20W/XXX/230V/A;
EDC/57C/10W/XXX/230V/A;
EDC/57C/12W/XXX/230V/A;
EDC/57C/15W/XXX/230V/A;
EDC/57C/20W/XXX/230V/A;

EDC/47C/9W/XXX/120V/B;
EDC/47C/10W/XXX/120V/B;
EDC/47C/12W/XXX/120V/B;
EDC/47C/15W/XXX/120V/B;
EDC/47C/20W/XXX/120V/B;
EDC/57C/10W/XXX/120V/B;
EDC/57C/12W/XXX/120V/B;
EDC/57C/15W/XXX/120V/B;
EDC/57C/20W/XXX/120V/B;

Mounting with machine screws M3x10mm;

With Zhaga Book 3 Lumens LED holder for red indicator marks.

Please refer to the www.lumensleds.com data provided on the manual.



for

LED



eLED

eLED-LUME-7080 Lumens Modular Passive Star LED Heat Sink Φ 70mm

Mounting Options and Drawings & Dimensions

Example:eLED-LUME-7080-B-3

Example:eLED-LUME-70 **1** - **2** - **3**

- 1** Height (mm)
- 2** Anodising Color
B-Black
C-Clear
Z-Custom
- 3** Mounting Options - see graphics for details Combinations available
Ex.order code - 12
means option 1 and 2 combined

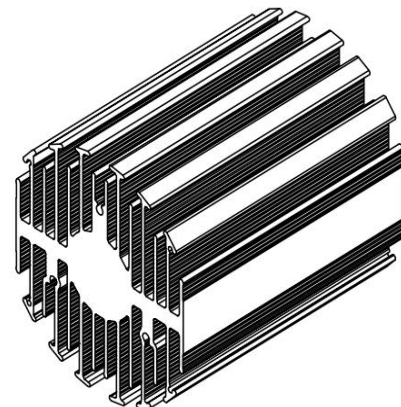
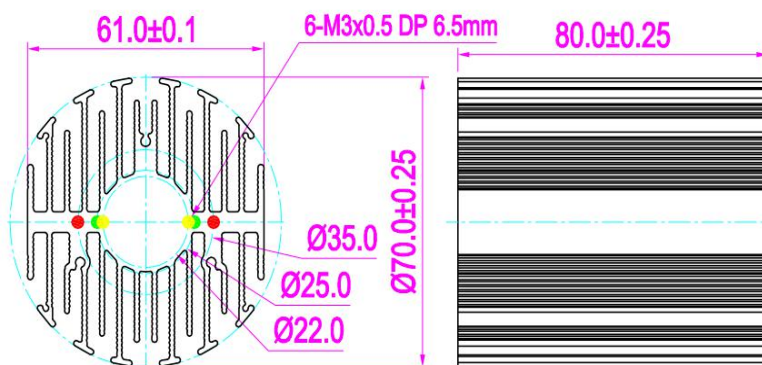
Notes:

- Mentioned models are an extraction of full product range.
- For specific mechanical adaptations please contact MingfaTech.
- MingfaTech reserves the right to change products or specifications without prior notice.
- Note : option 1 and option 2 can not be combined

LUMENS



MOUNTING OPTION	Module type	Holder NO.	THREAD	THREAD DEPTH	THREAD HOLE DISTANCE
1		/	M3	6.5mm	22.0mm/ 2-@180°
2	ERC1507 ERC1512	AAG.STUCCHI 8400-G2	M3	6.5mm	25.0mm/ 2-@180°
		BJB 47.313.6101.50			
	ERC1820	/			
3	ERC1507 ERC1512	Ideal Holde 50-2001CR	M3	6.5mm	35.0mm/ 2-@180°
		Ideal Holde 50-2101CR			
	ERC1820	BJB 47.313.2131.50			
		AC-ALL			



Tel:+86-769-39023131
E-fax:+86-(020)28819702 ext:22122
Email:sales@mingfatech.com
Http://www.heatsinkled.com
Http://www.mingfatech.com



eLED

eLED-LUME-7080 Lumens Modular Passive Star LED Heat Sink Φ 70mm

The thermal data table

	
	<i>eLED-7080</i>
Model No.	eLED-LUME-7080
Size	Φ70xH80mm
Material	AL6063-T5
Finish	Black Anodized
Weight(g)	329
Thermal Wattage	28.2W
HeatsinkOs-a²	115563
Heat Sink T Rise Above Ambient	1.77

Dissipated Power Pd(W)	Pd = Pe x (1-ηL)	Heat sink to ambient thermal resistance Rhs-amb (°C/W)	Heat sink to ambient temperature rise T _{hs-amb} (°C)
		eLED-LUME-7080	
6		2.5	15
12		2.2	26
18		1.9	34
24		1.8	43
30		1.7	51

