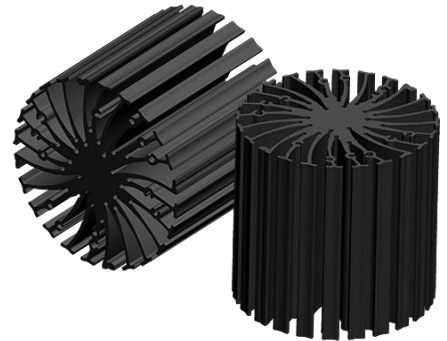


EtraLED

EtraLED-OSR-8550 Osram Modular Passive Star LED Heat Sink Φ 85mm

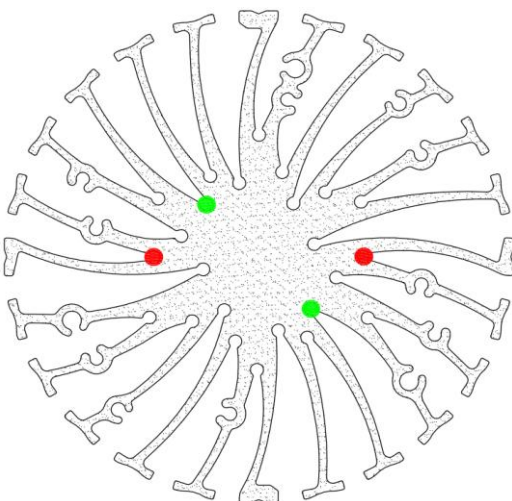
Features VS Benefits

- * The EtraLED-OSR-8550 Osram Modular Passive Star LED Heat Sinks are specifically designed for luminaires using the Osram LED engines.
- * Mechanical compatibility with direct mounting of the LED engines to the LED cooler and thermal performance matching the lumen packages.
- * For spotlight and downlight designs from 1600 to 4000 lumen.
- * Thermal resistance range Rth 1.5°C/W.
- * Modular design with mounting holes foreseen for direct mounting of Osram PrevaLED Core , SOLERIQ P and SOLERIQ S LED engines.
- * Diameter 85mm - standard height 50mm Other heights on request.
- * Extruded from highly conductive aluminum.



Zhaga LED engine and radiator assembly is a unified future international standardization

- * Below you find an overview of Osram COB's and LED modules which standard fit on the EtraLED Star LED Heat Sinks.
- * In this way mechanical after work and related costs can be avoided, and lighting designers can standardize their designs on a limited number of Star LED Heat Sinks.



Osram LED Modules Mounting Options

For the Osram PrevaLED Core AC LED modules.

PL-CORE AC -2000-827;	LEP -2000-827-C-AC;
PL-CORE AC -2000-830;	LEP -2000-830-C-AC;
PL-CORE AC -2000-840;	LEP -2000-840-C-AC;
PL-CORE AC PRO -2000-830;	
PL-CORE AC PRO -2000-840;	

For the Osram PrevaLED Core Z3 LED modules.

PL-CORE -2000-830-Z3;	PL-CORE -3000-830-Z3;
PL-CORE -2000-840-Z3;	PL-CORE -3000-840-Z3;
PL-CORE -2000-930-Z3;	

For the Osram PrevaLED Core Z4 LED modules.

PL-CORE-Z4 -2000-827;	PL-CORE-Z4 -3000-827;
PL-CORE-Z4 -2000-830;	PL-CORE-Z4 -3000-830;
PL-CORE-Z4 -2000-835;	PL-CORE-Z4 -3000-835;
PL-CORE-Z4 -2000-840;	PL-CORE-Z4 -3000-840;
PL-CORE-Z4 -2000-930;	

Zhaga Book3 Red indicator marks:

Direct mounting with machine screws M3x10mm;

For the Osram SOLERIQ S19 LED modules.

GW KAHJB1.EM-SSSU-27S3;	GW KAHJB1.EM-SQSS-27S3;
GW KAHJB1.EM-SSSU-30S3;	GW KAHJB1.EM-SQSS-30S3;
GW KAHJB1.EM-STTP-35S3;	GW KAHJB1.EM-SRST-35S3;
GW KAHJB1.EM-STTP-40S3;	GW KAHJB1.EM-SRST-40S3;

Zhaga Book3 Red indicator marks:

BJB holder:47.319.2170.50; AAG.STUCCHI holder:8503-G2

Mounting with machine screws M3x10mm;

For the Osram SOLERIQ P9 modules.

GW MAFJB1.EM-RTSQ-27S3;	GW MAFJB1.CM-RSSP-27S3;
GW MAFJB1.EM-RUSR-30S3;	GW MAFJB1.CM-RTSQ-30S3;
GW MAFJB1.EM-RUSS-35S3;	GW MAFJB1.CM-RTSR-35S3;
GW MAFJB1.EM-SPST-40S3;	GW MAFJB1.CM-RUSS-40S3;
GW MAFJB1.EM-SPST-50S3;	

Zhaga Book11 Green indicator marks:

BJB holder:47.319.6200.50; AAG.STUCCHI holder:8501-G2

Mounting with machine screws M3x10mm;

EtraLED

EtraLED-OSR-8550 Osram Modular Passive Star LED Heat Sink Ø85mm

Mounting Options and Drawings & Dimensions

Example: EtraLED-OSR-8550-B-3

Example: EtraLED-OSR-85 **1** - **2** - **3**

1 Height (mm)

2 Anodising Color

B-Black

C-Clear

Z-Custom

3 Mounting Options - see graphics for details Combinations available

Ex.order code - 12

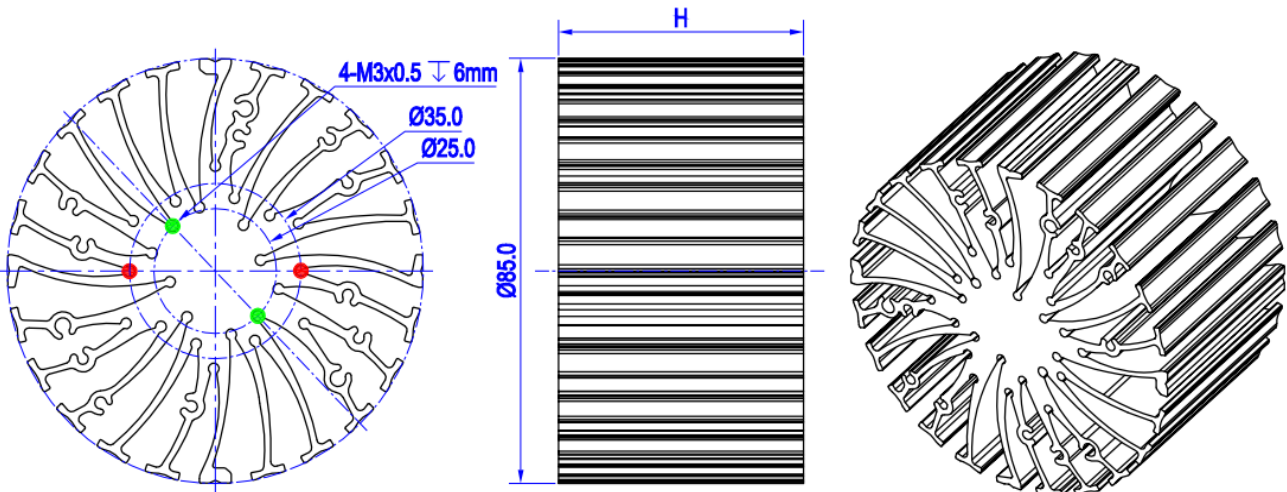
means option 1 and 2 combined

Notes:

- Mentioned models are an extraction of full product range.
- For specific mechanical adaptations please contact MingfaTech.
- MingfaTech reserves the right to change products or specifications without prior notice.



MOUNTING OPTION	Module type	Holder NO.	THREAD	THREAD DEPTH	THREAD HOLE DISTANCE
1	SOLERIQ P9	AAG.STUCCHI (8501-G2)	M3	10mm	25.0mm/ 2-@180°
		BJB (47.319.6200.50)			
2	PrevaLED Core AC PrevaLED Core Z3 PrevaLED Core Z4	/	M3	10mm	35.0mm/ 2-@180°
	SOLERIQ S19	AAG.STUCCHI (8503-G2)			
			BJB (47.319.2170.50)		



The thermal data table

	 <i>EtraLED-8550</i>
Model No.	EtraLED-OSR-8550
Size	Φ85xH50mm
Material	AL6063-T5
Finish	Black Anodized
Weight(gr)	286.0
Thermal Wattage	34.0W
HeatsinkΘs-a²	94366
Heat Sink T Rise Above Ambient	1.5

Dissipated Power Pd(W)	Pd = Pe x (1- η L)	Heat sink to ambient thermal resistance Rhs-amb ($^{\circ}$ C/W)	Heat sink to ambient temperature rise Ths-amb ($^{\circ}$ C)
		EtraLED-OSR-8550	EtraLED-OSR-8550
10		1.9	19
15		1.7	26
20		1.6	32
25		1.6	40
30		1.5	45
35		1.5	51

