



for

LED

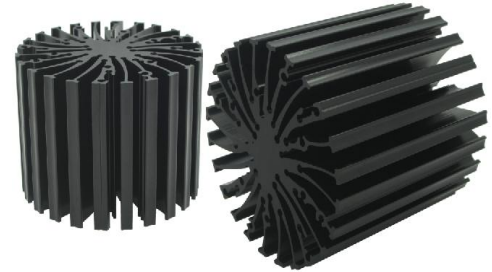


EtraLED

EtraLED-PHI-7050 for Philips Modular Passive Star LED Heat Sink  $\Phi$ 70mm

### Features VS Benefits

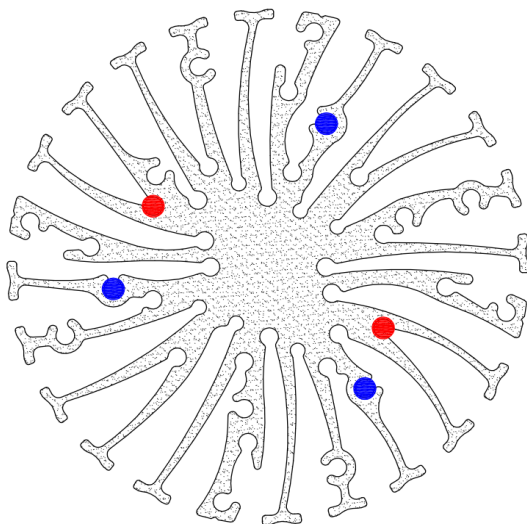
- \* The EtraLED-PHI-7050 Philips Modular Passive LED Coolers are specifically designed for luminaires using the Philips LED engines.
- \* Mechanical compatibility with direct mounting of the LED engines to the LED cooler and thermal performance matching the lumen packages.
- \* For spotlight and downlight designs from 800 to 2600 lumen.
- \* Thermal resistance range  $R_{th}$  2.2°C/W.
- \* Modular design with mounting holes foreseen for direct mounting of Philips SLM engines.
- \* Diameter 70mm - standard height 50mm Other heights on request.
- \* Extruded from highly conductive aluminum.



### Zhaga LED engine and radiator assembly is a unified future international standardization

- \* Below you find an overview of philips engines COB's and LED modules which standard fit on the EtraLED coolers.
- \* In this way mechanical after work and related costs can be avoided, and lighting designers can standardize their designs on a limited number of LED coolers.

# PHILIPS



Philips LED engines for which Zhaga book3 LED Modules holders are available.

#### Philips Fortimo SLM LED modular Gen4:

- Fortimo LED SLM 1100LM 827 L9 G4;
- Fortimo LED SLM 1100LM 830 L9 G4;
- Fortimo LED SLM 1100LM 840 L9 G4;
- Fortimo LED SLM 1100LM 827 L13 G4;
- Fortimo LED SLM 1100LM 830 L13 G4;
- Fortimo LED SLM 1100LM 840 L13 G4;
- Fortimo LED SLM 2000LM 830 L13 G4;
- Fortimo LED SLM 2000LM 840 L13 G4;
- Fortimo LED SLM 2000LM 927 L13 G4;
- Fortimo LED SLM 2000LM 930 L13 G4;
- Fortimo LED SLM 3000LM 830 L15 G4;
- Fortimo LED SLM 3000LM 840 L15 G4;
- Fortimo LED SLM 3000LM 927 L15 G4;
- Fortimo LED SLM 3000LM 930 L15 G4;

#### Philips Fortimo SLM LED modular Gen3:

- Fortimo LED SLM 2000LM 830 L19 G3;
- Fortimo LED SLM 2000LM 840 L19 G3;
- Fortimo LED SLM 2000LM 930 L19 G3;
- Fortimo LED SLM 3000LM 830 L19 G3;
- Fortimo LED SLM 3000LM 840 L19 G3;
- Fortimo LED SLM 3000LM 930 L19 G3;

#### Philips Fortimo SLM LED modular Gen2:

- Fortimo LED SLM 800LM XXX L13 G2;
- Fortimo LED SLM 1100LM XXX L13 G2;
- Fortimo LED SLM 2000LM XXX L19 G2;

NO'1: Blue indicator marks:

Direct mounting with machine screws M3x8mm;

NO'2: With Zhaga Book 3 LED holder for red indicator marks.

Direct mounting with machine screws M3x8mm;

Tel:+86-769-39023131

E-fax:+86-(020)28819702 ext:22122

Email:sales@mingfatech.com

Http://www.heatsinkled.com

Http://www.mingfatech.com





for

LED



EtraLED

EtraLED-PHI-7050 for Philips Modular Passive Star LED Heat Sink  $\Phi$ 70mm

**Mounting Options and Drawings & Dimensions**

Example: EtraLED-PHI-7050-B-3

Example: EtraLED-PHI-70 **1** - **2** - **3**

**1** Height (mm)

**2** Anodising Color

B-Black

C-Clear

Z-Custom

**3** Mounting Options - see graphics for details Combinations available

Ex.order code - 12

means option 1 and 2 combined

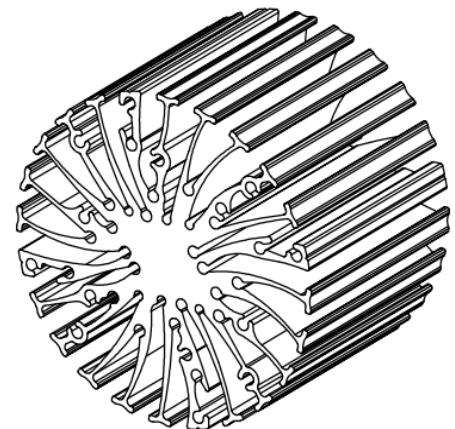
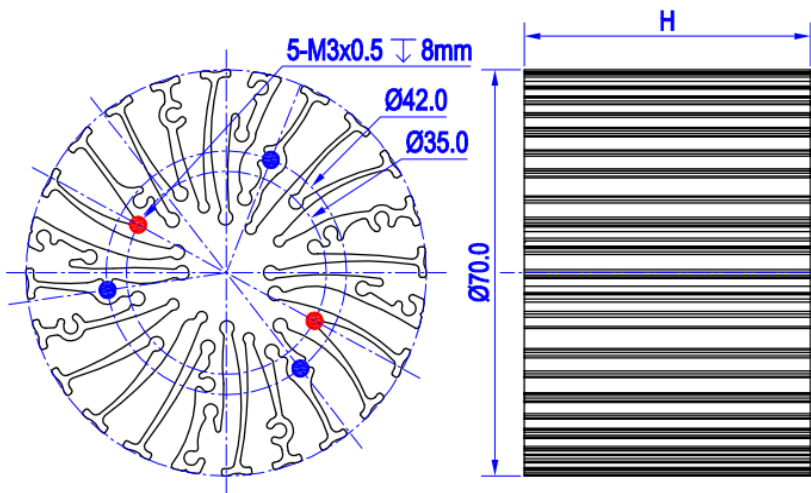
**Notes:**

- Mentioned models are an extraction of full product range.
- For specific mechanical adaptations please contact MingfaTech.
- MingfaTech reserves the right to change products or specifications without prior notice.

PHILIPS



MOUNTING OPTION	Module type	Holder NO.	THREAD	THREAD DEPTH	THREAD HOLE DISTANCE
1	Fortimo SLM	/	M3	8mm	35.0mm/ 2-@180°
2		/	M3	8mm	42.0mm/ 3-@120°



The thermal data table

	
	<i>EtraLED-7050</i>
<b>Model No.</b>	<b>EtraLED-PHI-7050</b>
<b>Size</b>	<b><math>\Phi 70 \times H 50\text{mm}</math></b>
<b>Material</b>	<b>AL6063-T5</b>
<b>Finish</b>	<b>Black Anodized</b>
<b>Weight(gr)</b>	<b>192.0</b>
<b>Thermal Wattage</b>	<b>22.9W</b>
<b>Heatsink<math>\Theta_s\text{-a}^2</math></b>	<b>79093</b>
<b>Heat Sink T Rise Above Ambient</b>	<b>2.2</b>

Dissipated Power Pd(W)	Pd = Pe x (1- $\eta$ L)	Heat sink to ambient thermal resistance Rhs-amb ( $^{\circ}\text{C}/\text{W}$ )	Heat sink to ambient temperature rise Ths-amb ( $^{\circ}\text{C}$ )
		EtraLED-PHI-7050	EtraLED-PHI-7050
5		3.1	16
10		2.7	27
15		2.4	36
20		2.3	46
25		2.2	53

