

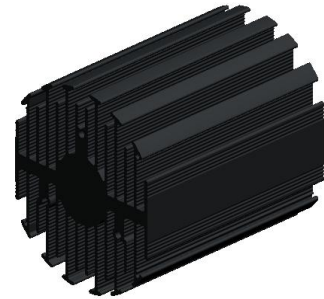


*eLED*

**eLED-EDI-7080 Edison Modular Passive Star LED Heat Sink  $\Phi$ 70mm**

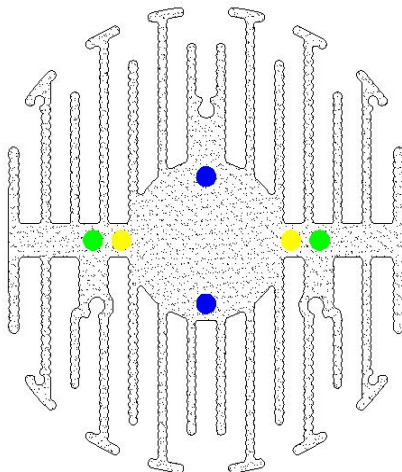
**Features VS Benefits**

- \* The eLED-EDI-7080 Edison Modular Passive LED Coolers are specifically designed for luminaires using the Edison LED engines.
- \* Mechanical compatibility with direct mounting of the LED engines to the LED cooler and thermal performance matching the lumen packages.
- \* For spotlight and downlight designs from 900 to 2900 lumen.
- \* Thermal resistance range Rth 1.77°C/W.
- \* Modular design with mounting holes foreseen for direct mounting of Edison EdiLex SLM EdiLex II COB LED engines.
- \* Diameter 70mm - standard height 80mm Other heights on request.
- \* Extruded from highly conductive aluminum.



**Zhaga LED engine and radiator assembly is a unified future international standardization**

- \* Below you find an overview of Edison engines COB's and LED modules which standard fit on the eLED coolers.
- \* In this way mechanical after work and related costs can be avoided, and lighting designers can standardize their designs on a limited number of LED coolers.



**Edison LED engines Mounting Options**

For the EdiLex Spot Light Module (SLM).

- 5PHR22WW S0010002;
- 5PHR22NW S0010002;

For the EdiLex II HM Series LED engines.

- (AAG.STUCCHI holder:8101-G2); (BJB holder:47.319.2021.50);
- 2PHM16WW27P13001; 2PHM16CW27P13001;
- 2PHM16NW27P13001;

For the EdiLex II HM CRI90 Series LED engines.

- (AAG.STUCCHI holder:8101-G2); (BJB holder:47.319.2021.50);
- 2PHM16WW38P13001; 2PHM16CW38P13001;
- 2PHM16NW38P13001;

For the EdiLex II MV Series LED engines.

- (AAG.STUCCHI holder:8101-G2); (BJB holder:47.319.2021.50);
- 2PMV20WW27P13001; 2PMV20CW27P13001;
- 2PMV20NW27P13001;

Zhaga Book3 Green indicator marks:

Direct mounting with machine screws M3x6mm;

**Edison LED engines directly Mounting Options**

For the EdiLex II Star CRI90 Series LED engines.

- 2PHV10WW38P05001; 2PHV10CW38P05001;
- 2PHV10NW38P05001;

For the EdiLex II Star Series LED engines.

- 2PHV10WW27P05001; 2PHV10CW27P05001;
- 2PHV10NW27P05001;

Direct mounting with machine screws M3x6mm;

Blue indicator marks.

For the EdiLex II SD Series LED engines.

- 2PSD24WW01P02001; 2PSD24CW06P02001;
- 2PSD24NW05P02001;

Direct mounting with machine screws M3x6mm;

Yellow indicator marks.



**eLED** eLED-EDI-7080 Edison Modular Passive Star LED Heat Sink  $\Phi$ 70mm

**Mounting Options and Drawings & Dimensions**

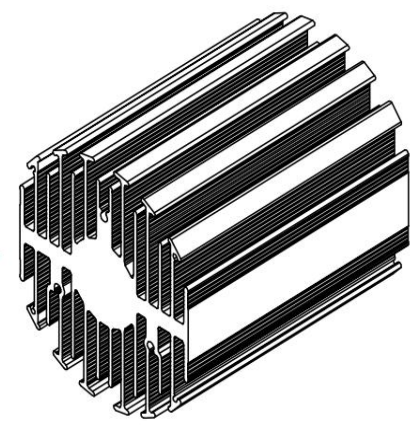
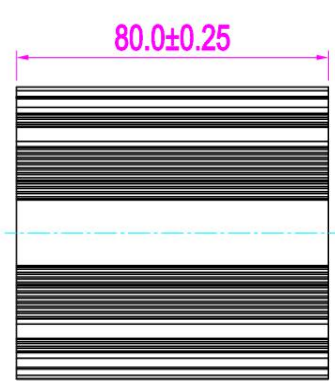
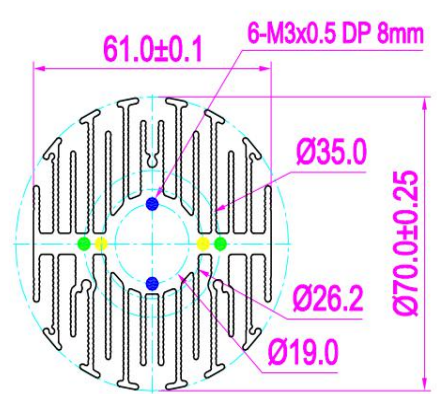
Example: eLED-EDI-7080-B-3  
 Example: eLED-EDI-7080-1-2-3

- 1** Height (mm)
- 2** Anodising Color  
 B-Black  
 C-Clear  
 Z-Custom
- 3** Mounting Options - see graphics for details Combinations available  
 Ex.order code - 12  
 means option 1 and 2 combined

**Notes:**  
 - Mentioned models are an extraction of full product range.  
 - For specific mechanical adaptations please contact MingfaTech.  
 - MingfaTech reserves the right to change products or specifications without prior notice.



MOUNTING OPTION	Module type	Holder NO.	THREAD	THREAD DEPTH	THREAD HOLE DISTANCE
1	EdiLex II Star	/	M3	6.5mm	19.0mm/ 2-@180°
2	EdiLex II SD	/	M3	6.5mm	26.2mm/ 2-@180°
3	EdiLex II HM	AAG.STUCCHI: 8101-G2	M3	6.5mm	35.0mm/ 2-@180°
	EdiLex II MV	BJB: 47.319.2021.50			
	EdiLex II SLM	/			



Tel:+86-769-39023131  
 E-fax:+86-(020)28819702 ext:22122  
 Email:sales@mingfatech.com  
 Http://www.heatsinkled.com  
 Http://www.mingfatech.com





for

LED



eLED

eLED-EDI-7080 Edison Modular Passive Star LED Heat Sink  $\Phi$ 70mm

The thermal data table

	 <i>eLED-7080</i>
<b>Model No.</b>	<b>eLED-EDI-7080</b>
<b>Size</b>	<b><math>\Phi</math>70xH80mm</b>
<b>Material</b>	<b>AL6063-T5</b>
<b>Finish</b>	<b>Black Anodized</b>
<b>Weight(gr)</b>	<b>329</b>
<b>Thermal Wattage</b>	<b>28.2W</b>
<b>Heatsink<math>\Theta</math>s-a<sup>2</sup></b>	<b>115563</b>
<b>Heat Sink T Rise Above Ambient</b>	<b>1.77</b>

Dissipated Power Pd(W)	Heat sink to ambient thermal resistance Rhs-amb (°C/W)	
	eLED-EDI-7080	
6	2.5	15
12	2.2	26
18	1.9	34
24	1.8	43
30	1.7	51

