



for

LED

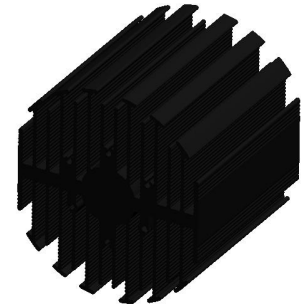


eLED

eLED-NIC-9580 Nichia Modular Passive Star LED Heat Sink  $\Phi$ 95mm

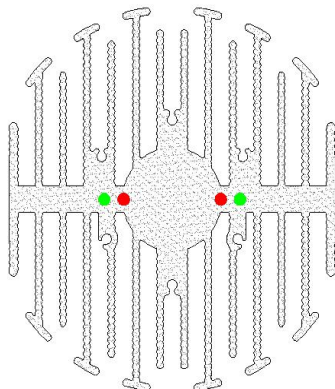
### Features VS Benefits

- \* The eLED-NIC-9580 Nichia Modular Passive Star LED Heat Sinks are specifically designed for luminaires using the Nichia LED engines.
- \* Mechanical compatibility with direct mounting of the LED engines to the LED cooler and thermal performance matching the lumen packages.
- \* For spotlight and downlight designs from 1800 to 5500 lumen.
- \* Thermal resistance range  $R_{th}$  1.1°C/W.
- \* Modular design with mounting holes foreseen for direct mounting of Nichia COB LED engines.
- \* Diameter 95mm - standard height 80mm Other heights on request.
- \* Extruded from highly conductive aluminum.



### Zhaga LED engine and radiator assembly is a unified future international standardization

- \* Below you find an overview of Nichia engines COB's and LED modules which standard fit on the eLED Star LED Heat Sinks.
- \* In this way mechanical after work and related costs can be avoided, and lighting designers can standardize their designs on a limited number of LED Star LED Heat Sinks.



### Nichia LED engines Mounting Options.

Nichia COB LED modules name:

- NJCWS024Z;
- NJCLS024Z;

Zhaga Book11 Holders:

- BJB holder:47.319.6180.50;
- A.A.G Stucchi holder:8300/G2
- Direct mounting with machine screws M3x8mm;
- Red indicator marks

Nichia COB LED modules name:

- NFCWL036B;
- NFCLL036B;
- NFCWL060B;
- NFCLL060B;

Zhaga Book3 connector:

- Ideal Holder:50-2100NC;
- TE Connectivity:2213382-2
- Mounting with machine screws M3x8mm;
- Green indicator marks



for

LED



eLED

eLED-NIC-9580 Nichia Modular Passive Star LED Heat Sink  $\Phi$ 95mm

Mounting Options and Drawings & Dimensions

Example: eLED-NIC-9580-B-1,2

Example: eLED-NIC-95 **1** - **2** - **3**

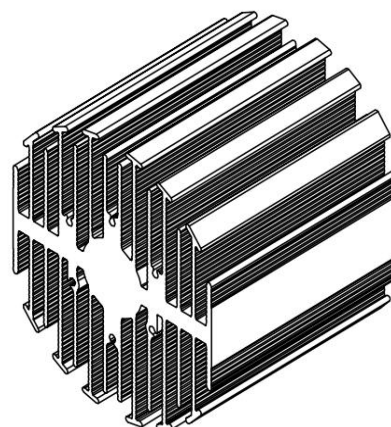
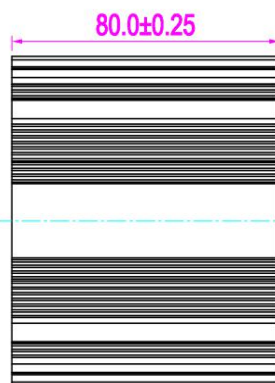
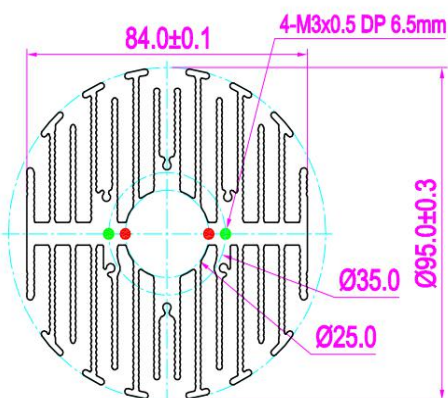
- 1** Height (mm)
- 2** Anodising Color  
B-Black  
C-Clear  
Z-Custom
- 3** Mounting Options - see graphics for details Combinations available  
Ex.order code - 12  
means option 1 and 2 combined

Notes:

- Mentioned models are an extraction of full product range.
- For specific mechanical adaptations please contact MingfaTech.
- MingfaTech reserves the right to change products or specifications without prior notice.



MOUNTING OPTION	Module type	Holder NO.	THREAD	THREAD DEPTH	THREAD HOLE DISTANCE
N	/	None	None	None	None
1	NJCWS024Z; NJCLS024Z;	BJB (47.319.6180.50)	M3	6.5mm	25.0mm/ @180°
		A.A.G Stucchi (8300/G2)			
2	NFCWL036B; NFCLL036B; NFCWL060B; NFCLL060B;	Ideal Holder: (50-2100NC)	M3	6.5mm	35.0mm/ @180°
		TE Connectivity: (2213382-2)			



Tel:+86-769-39023131  
E-fax:+86-(020)28819702 ext:22122  
Email:sales@mingfatech.com  
Http://www.heatsinkled.com  
Http://www.mingfatech.com



eLED

eLED-NIC-9580 Nichia Modular Passive Star LED Heat Sink  $\Phi 95\text{mm}$

The thermal data table

	 <i>eLED-9580</i>
<b>Model No.</b>	<b>eLED-NIC-9580</b>
<b>Size</b>	<b><math>\Phi 95 \times H 80\text{mm}</math></b>
<b>Material</b>	<b>AL6063-T5</b>
<b>Finish</b>	<b>Black Anodized</b>
<b>Weight(gr)</b>	<b>564</b>
<b>Thermal Wattage</b>	<b>49.2W</b>
<b>Heatsink <math>\Theta_{s-a^2}</math></b>	<b>170178</b>
<b>Heat Sink T Rise Above Ambient</b>	<b>1.1</b>

Dissipated Power Pd(W)	Pd = Pe x (1-ηL)	Heat sink to ambient thermal resistance Rhs-amb (°C/W)	Heat sink to ambient temperature rise Ths-amb (°C)
		eLED-NIC-9580	
10		1.6	16
20		1.3	26
30		1.2	35
40		1.1	44
50		1.0	52

