

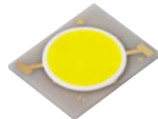
### Features VS Benefits

- \* The HibayLED-NIC-230126 Nichia Modular vacuum phase-transition LED Heat Sinks (Passive) are specifically designed for luminaires using the Nichia LED engines.
- \* Mechanical compatibility with direct mounting of the LED engines to the LED cooler and thermal performance matching the lumen packages.
- \* For Highbay designs from 10000 to 18000 lumen.
- \* Thermal resistance range  $R_{th}$  0.34°C/W.
- \* Modular design with mounting holes foreseen for direct mounting of Nichia NVEWJ048Z, NVELJ048Z Array Series LED engines.
- \* Diameter 230mm - standard height 126mm Other heights on request.



### Unique Advantages

- \* Integration of heat super conduction and heat dissipation. Reduce heat conduct resistance of heatsink to ZERO;
- \* Low heat conduct temperature difference, equivalent heatconductive ability 20 times better than copper;
- \* More than 30% reduce of volume and weight than normal heatsinks;
- \* Compared to normal extrusion heatsinks, Mingfa Tech's our vacuum phase-transition heatsinks can adapt higher power for the same size;
- \* Compared to normal extrusion heatsinks, Mingfa Tech's vacuum phase-transition LED heatsinks are much smaller volume and lighter weight for the same power;
- \* All aluminium, cost effective;



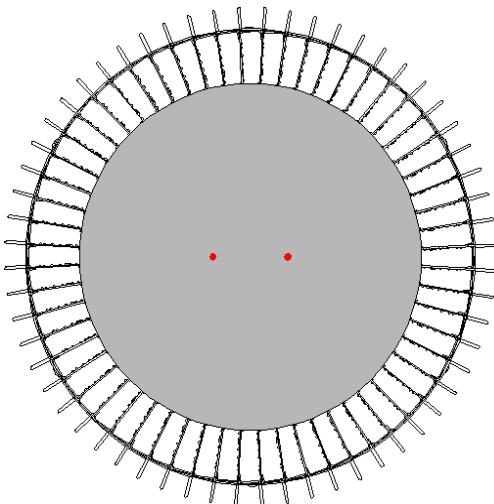
### Nichia LED Modules directly Mounting Options

Nichia COB LED modules name:

NVEWJ048Z;  
NVELJ048Z;

Zhaga Book3 connector:

Ideal Holder:50-2100NC;  
Mounting with machine screws M3x8mm;  
Red indicator marks



HibayLED

HibayLED-NIC-230126

Modular vacuum phase-transition LED Heat Sink (Passive)  $\Phi$ 230mm

Mounting Options and Drawings & Dimensions

Example:HibayLED-NIC-230126-B-1

Example:HibayLED-NIC-230126 **1** - **2**

- 1** Anodising Color
  - B-Black
  - C-Clear
  - Z-Custom

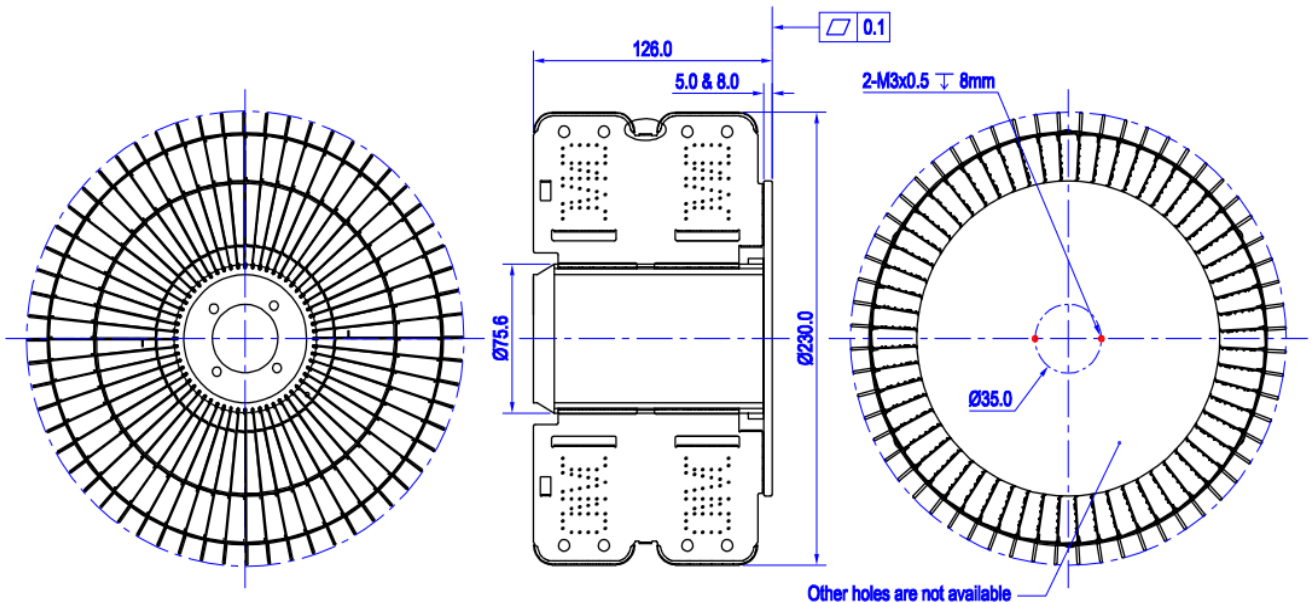
- 2** Mounting Options - see graphics for details Combinations available
  - Ex.order code - 12
  - means option 1 and 2 combined

Notes:

- Mentioned models are an extraction of full product range.
- For specific mechanical adaptations please contact MingfaTech.
- MingfaTech reserves the right to change products or specifications without prior notice.



MOUNTING OPTION	Module type	Holder NO.	THREAD	THREAD DEPTH	THREAD HOLE DISTANCE
1	NVEWJ048Z; NVELJ048Z;	Ideal Holder: (50-2103NC)	M3	8mm	35.0mm/ @180°



*HibayLED*

HibayLED-NIC-230126

Modular vacuum phase-transition LED Heat Sink (Passive)  $\Phi 230\text{mm}$

The thermal data table

	<p><i>HibayLED</i></p>
Model No.	HibayLED-NIC-230126
Size	$\Phi 230 \times H 126\text{mm}$
Material	AL1070
Finish	Clear Anodized
Weight(gr)	1590.0
Thermal Wattage	150.0W
Heatsink $\Theta_s\text{-a}^2$	1361840
Heat Sink T Rise Above Ambient	0.34

