

SimpoleD

SimpoleD-EDI-11750 for Edison Modular Passive LED Cooler Φ 117mm

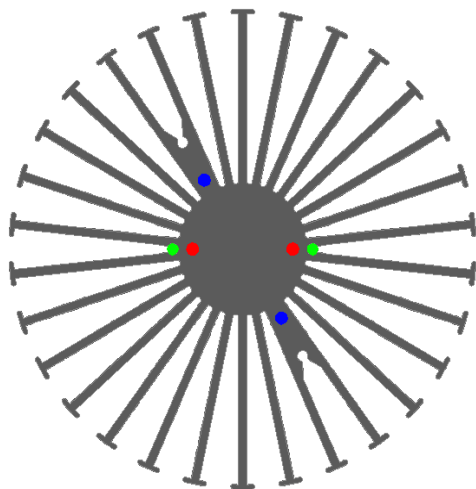
Features VS Benefits

- * The SimpoleD-EDI-11750 Edison Modular Passive LED Coolers are specifically designed for luminaires using the Edison LED engines.
- * Mechanical compatibility with direct mounting of the LED engines to the LED cooler and thermal performance matching the lumen packages.
- * For spotlight and downlight designs from 1700 to 5000 lumen.
- * Thermal resistance range R_{th} 0.92°C/W.
- * Modular design with mounting holes foreseen for direct mounting of Edison EdiLex SLM and EdiLex II COB LED engines.
- * Diameter 117mm - standard height 50mm Other heights on request.
- * Extruded from highly conductive aluminum.



Zhaga LED engine and radiator assembly is a unified future international standardization

- * Below you find an overview of Edison engines COB's and LED modules which standard fit on the SimpoLED coolers.
- * In this way mechanical after work and related costs can be avoided, and lighting designers can standardize their designs on a limited number of LED coolers.



Edison LED engines Mounting Options

For the EdiLex Spot Light Module (SLM).

- 5PHR35WWS0010001;
- 5PHR35NWS0010001;

Zhaga Book3 Green indicator marks:

Direct mounting with machine screws M3x6mm;

For the EdiLex II HM Series LED engines.

- 2PHM30WW27P13001;
- 2PHM30NW27P13001;
- 2PHM30CW27P13001;

BJB holder:47.319.2021.50;
AAG.STUCCHI holder:8101-G2.

- 2PHM40WW27P16001;
- 2PHM40NW27P16001;
- 2PHM40CW27P16001;

BJB holder:47.319.2030.50;
AAG.STUCCHI holder:8101-G2.

Zhaga Book3 Green indicator marks

Mounting with machine screws M3x6mm;

For the EdiLex II HM CRI90 Series LED engines.

- 2PHM30WW38P13001;
- 2PHM30NW38P13001;
- 2PHM30CW38P13001;

BJB holder:47.319.2021.50;
AAG.STUCCHI holder:8101-G2.

- 2PHM40WW38P16001;
- 2PHM40NW38P16001;
- 2PHM40CW38P16001;

BJB holder:47.319.2030.50;
AAG.STUCCHI holder:8101-G2.

Zhaga Book3 Green indicator marks

Mounting with machine screws M3x6mm;

Edison LED engines directly Mounting Options

For the EdiLex II SD Series LED engines.

- 2PSD40WW01P03001;
- 2PSD40NW05P03001;
- 2PSD40CW06P03001;

- 2PSD50WW01P03001;
- 2PSD50NW05P03001;
- 2PSD50CW06P03001;

Direct mounting with machine screws M3x6mm;
Blue indicator marks.

Please refer to the "http://www.edison-opto.com" data provided on the manual.

Mounting Options and Drawings & Dimensions

Example: SimpoleD-EDI-11750-B-3

Example: SimpoleD-EDI-117 **1** - **2** - **3**

- 1** Height (mm)
- 2** Anodising Color
B-Black
C-Clear
Z-Custom
- 3** Mounting Options - see graphics for details Combinations available
Ex.order code - 12
means option 1 and 2 combined

Notes:

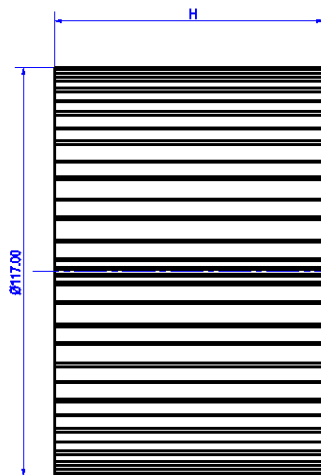
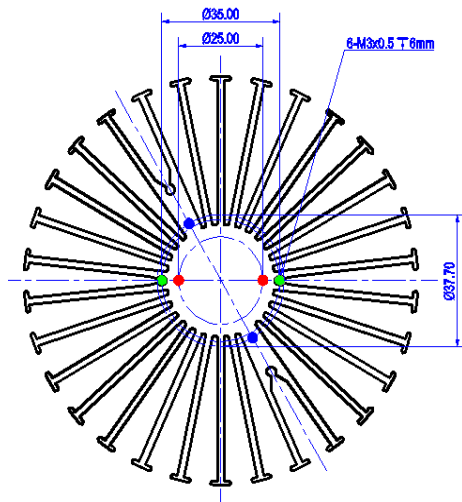
- Mentioned models are an extraction of full product range.
- For specific mechanical adaptations please contact MingfaTech.
- MingfaTech reserves the right to change products or specifications without prior notice.



STUCCHI
ideas are made of light



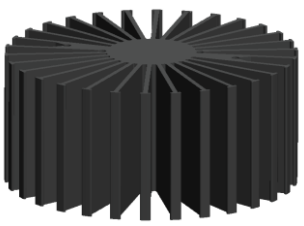
MOUNTING OPTION	Module type	Holder NO.	THREAD	THREAD DEPTH	THREAD HOLE DISTANCE
1	EdiLex II CAC	Ideal:50-2000CR	M3	6mm	25.0mm/ 2-@180°
		BJB:47.319.6120.50			
2	EdiLex II HM	AAG.STUCCHI (8101-G2) (8102-G2)	M3	6mm	35.0mm/ 2-@180°
		BJB (47.319.2021.50) (47.319.2030.50)			
	EdiLex II SLM	/			
3	EdiLex II SD	/	M3	6mm	37.7mm/ 2-@180°



SimpoleD

SimpoleD-EDI-11750 for Edison Modular Passive LED Cooler Φ 117mm

The thermal data table

	 <i>SimpoleD-11750</i>
Model No.	SimpoleD-EDI-11750
Size	Φ117xH50mm
Material	AL6063-T5
Finish	Black Anodized
Weight(gr)	484.0
Thermal Wattage	49.2W
HeatsinkΘs-a²	147370
Heat Sink T Rise Above Ambient	0.92

	Pd = Pe x (1- η L)	Heat sink to ambient thermal resistance Rhs-amb ($^{\circ}$ C/W)	Heat sink to ambient temperature rise Ths-amb ($^{\circ}$ C)
		SimpoleD-EDI-11750	SimpoleD-EDI-11750
Dissipated Power Pd(W)	8.0	1.35	10.8
	16.0	1.16	18.5
	24.0	1.05	25.3
	32.0	0.98	31.5
	40.0	0.94	37.5
	48.0	0.90	43.0
	56.0	0.88	49.0

