



for

LED

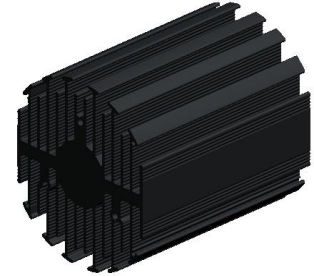


eLED

eLED-SEO-7080 Seoul Modular Passive Star LED Heat Sink Φ 70mm

Features VS Benefits

- * The eLED-SEO-7080 Seoul Modular Passive LED Coolers are specifically designed for luminaires using the Seoul LED engines.
- * Mechanical compatibility with direct mounting of the LED engines to the LED cooler and thermal performance matching the lumen packages.
- * For spotlight and downlight designs from 1200 to 3000 lumen.
- * Thermal resistance range R_{th} 1.77°C/W.
- * Modular design with mounting holes foreseen for direct mounting of Seoul ZC4 Series, ZC6 Series, ZC12 Series, ZC18 Series, ZC25 Series and ZC40 Series COB engines.
- * Diameter 70mm - standard height 80mm Other heights on request.
- * Extruded from highly conductive aluminum.

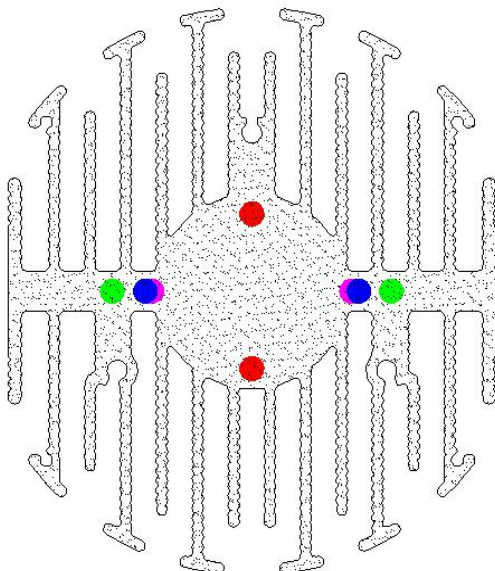


Seoul LED engine and radiator assembly directly Mounting Options

- * Below you find an overview of Seoul COB's and LED modules which standard fit on the eLED Star LED Heat Sinks.
- * In this way mechanical after work and related costs can be avoided, and lighting designers can standardize their designs on a limited number of LED coolers.



SEoul SEMICONDUCTOR



Seoul COB engines Mounting Options

ZC4 Series COB Modules:

SDW01F1B; SDW81F1B;

ZC6 Series COB Modules:

SDW01F1C; SDW81F1C; SDW91F1C;

Zhaga Book 11 holder;
Pink indicator marks,
BJB Spotlight connector 47.319.6060.50
Mounting with 2 screws M3x8mm.
Direct mounting with 2 screws M3x6mm.
Red indicator marks.

ZC 12 Series COB Modules:

SDW02F1C; SDW82F1C; SDW92F1C;

ZC 18 Series COB Modules:

SDW03F1C; SDW83F1C; SDW93F1C;

Zhaga Book3 Holes ;
Green indicator marks,
BJB Semiconductor Spotlight connector 47.319.2021.50

TE Connectivity Lumawise type Z502213254-1
TE Connectivity Lumawise type Z502213254-2

Mounting with 2 screws M3x8mm.
Direct mounting with 2 screws M3x6mm;
Blue indicator marks.

ZC 25 Series LED Modules name:

SDW04F1C;
SDW84F1C;
SDW94F1C;

ZC 40 Series LED Modules name:

SDW05F1C;
SDW85F1C;
SDW95F1C;

Green indicator marks:
Zhaga Book3 BJB Holder:47.319.2030.50
Mounting with machine screws M3x8mm ;

Tel: +86-769-39023131
E-fax: +86-(020)28819702 ext:22122
Email:sales@mingfatech.com
Http://www.heatsinkled.com
Http://www.mingfatech.com





for

LED



eLED

eLED-SEO-7080 Seoul Modular Passive Star LED Heat Sink Φ 70mm

Mounting Options and Drawings & Dimensions

Example:eLED-SEO-7080-B-3

Example:eLED-SEO-70 **1** - **2** - **3**

- 1** Height (mm)
- 2** Anodising Color
B-Black
C-Clear
Z-Custom
- 3** Mounting options;
On request;
Mounting holes, cable holes;
Screw thread, thermal interface pad.



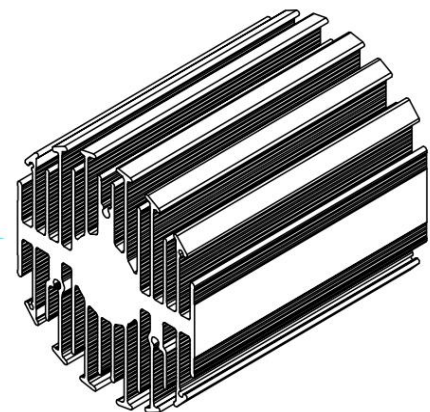
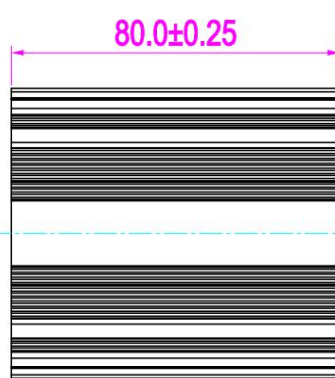
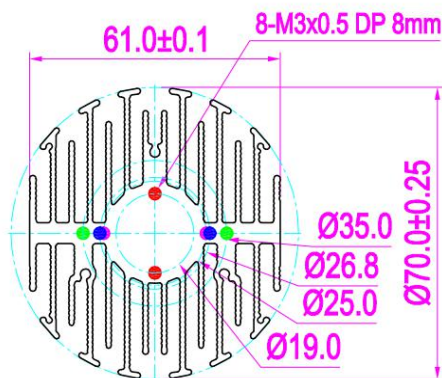
SEOUL SEMICONDUCTOR



Notes:

- Mentioned models are an extraction of full product range.
 - For specific mechanical adaptations please contact MingfaTech.
 -
 - MingfaTech reserves the right to change products or specifications without prior notice.
- Note : option 2 and option 3 can not be combined

MOUNTING OPTION	Module type	Holder NO.	THREAD	THREAD DEPTH	THREAD HOLE DISTANCE
1	ZC4 Series ZC6 Series	/	M3	6.5mm	19mm/ 2-@180°
2	ZC4 Series ZC6 Series	BJB:47.319.6060.50	M3	6.5mm	25mm/ 2-@180° Zhaga Book 11
3	ZC12 Series ZC18 Series	/	M3	6.5mm	26.8mm/ 2-@180°
4	ZC12 Series ZC18 Series	BJB:47.319.2040.50	M3	6.5mm	35mm/ 2-@180° Zhaga Book3
	ZC25 Series ZC40 Series ZC60 Series	BJB:47.319.2030.50	M3	6.5mm	



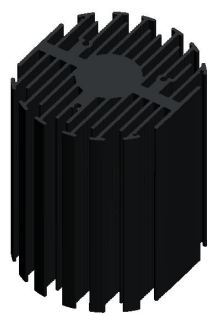
Tel: +86-769-39023131
 E-fax: +86-(020)28819702 ext:22122
 Email:sales@mingfatech.com
 Http://www.heatsinkled.com
 Http://www.mingfatech.com



eLED

eLED-SEO-7080 Seoul Modular Passive Star LED Heat Sink Φ 70mm

The thermal data table

	 <i>eLED-7080</i>
Model No.	eLED-SEO-7080
Size	Φ70xH80mm
Material	AL6063-T5
Finish	Black Anodized
Weight(gr)	329
Thermal Wattage	28.2W
HeatsinkΘs-a²	115563
Heat Sink T Rise Above Ambient	1.77

Dissipated Power Pd(W)	Pd = Pe x (1- η L)	Heat sink to ambient thermal resistance Rhs-amb ($^{\circ}$ C/W)	Heat sink to ambient temperature rise Ths-amb ($^{\circ}$ C)
		eLED-SEO-7080	
6		2.5	15
12		2.2	26
18		1.9	34
24		1.8	43
30		1.7	51

