

## SimpoLED

### SimpoLED-SEO-160100 for Seoul Modular Passive LED Cooler $\Phi$ 160mm

#### Features VS Benefits

- \* The SimpoLED-SEO-160100 Seoul Modular Passive LED Coolers are specifically designed for luminaires using the Seoul LED engines.
- \* Mechanical compatibility with direct mounting of the LED engines to the LED cooler and thermal performance matching the lumen packages.
- \* For spotlight and downlight designs from 3800 to 12500 lumen.
- \* Thermal resistance range  $R_{th}$  0.48°C/W.
- \* Modular design with mounting holes foreseen for direct mounting of Seoul ZC12 Series, ZC18 Series, ZC25 Series, ZC40 Series, ZC60 Series and ZC100 Series COB engines.
- \* Diameter 160mm - standard height 100mm Other heights on request.
- \* Extruded from highly conductive aluminum.

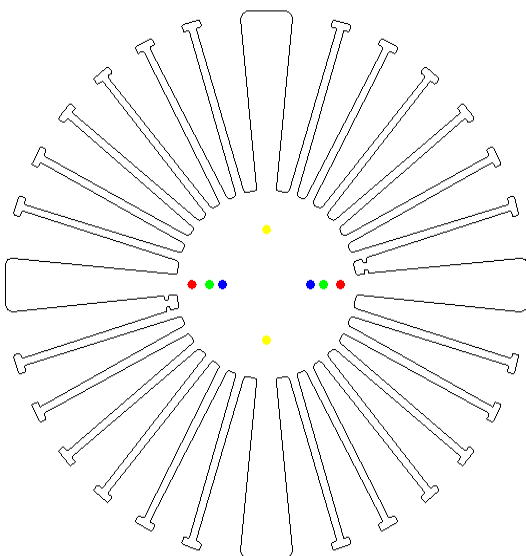


#### Seoul LED engine and radiator assembly directly Mounting Options

- \* Below you find an overview of Seoul COB's which standard fit on the SimpoLED coolers.
- \* In this way mechanical after work and related costs can be avoided, and lighting designers can standardize their designs on a limited number of LED coolers.



SEOUL SEMICONDUCTOR



#### Seoul COB engines Mounting Options

##### ZC 12 Series COB Modules:

SDW02F1C; SDW82F1C; SDW92F1C;

##### ZC 18 Series COB Modules:

SDW03F1C; SDW83F1C; SDW93F1C;

Zhaga Book3 Holes ,  
BJB Semiconductor Spotlight connector 47.319.2021.50  
TE Connectivity Lumawise type Z502213254-1  
TE Connectivity Lumawise type Z502213254-2

Green indicator marks;  
Mounting with 2 screws M3x8mm.

Blue indicator marks;  
Direct mounting with 2 screws M3x6mm.

##### ZC 25 Series LED Modules name:

SDW04F1C; SDW84F1C; SDW94F1C;

##### ZC 40 Series LED Modules name:

SDW05F1C; SDW85F1C; SDW95F1C;

##### ZC 60 Series LED Modules name:

SDW06F1C; SDW86F1C;

Green indicator marks:  
Zhaga Book3 BJB Holder:47.319.2030.50  
Mounting with machine screws M3x8mm ;  
Yellow indicator marks ;  
Direct mounting machine screws M3x6mm ;

##### ZC 100 Series LED Modules name:

SDW07F1C; SDW87F1C;

Red indicator marks ;  
Direct mounting machine screws M3x6mm ;



*SimpOLED*

SimpOLED-SEO-160100 for Seoul Modular Passive LED Cooler  $\Phi$ 160mm

**Mounting Options and Drawings & Dimensions**

Example: SimpOLED-SEO-160100-B-1,2

Example: SimpOLED-SEO-160 **1** - **2** - **3**

**1** Height (mm)

**2** Anodising Color

B-Black

C-Clear

Z-Custom

**3** Mounting Options - see graphics for details Combinations available

Ex.order code - 12

means option 1 and 2 combined

Notes:

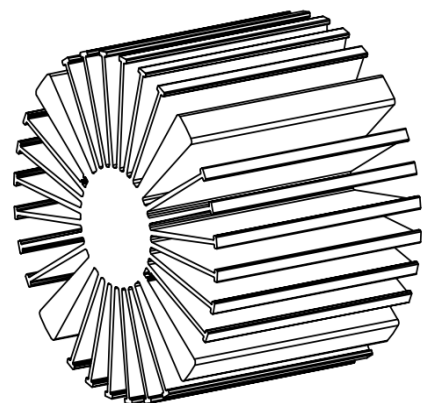
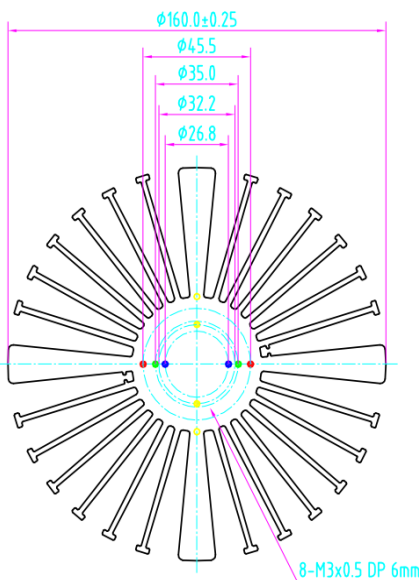
- Mentioned models are an extraction of full product range.
- For specific mechanical adaptations please contact MingfaTech.
- MingfaTech reserves the right to change products or specifications without prior notice.



SEOUL SEMICONDUCTOR



MOUNTING OPTION	Module type	Holder NO.	THREAD	THREAD DEPTH	THREAD HOLE DISTANCE
1	ZC12 Series ZC18 Series	/	M3	6mm	26.8mm/ 2-@180°
2	ZC25 Series ZC40 Series ZC60 Series	/	M3	6mm	32.2mm/ 2-@180°
3	ZC12 Series ZC18 Series	BJB:47.319.2040.50	M3	6mm	35mm/ 2-@180° Zhaga Book3
	ZC25 Series ZC40 Series ZC60 Series	BJB: 47.319.2030.50	M3	6mm	
4	ZC100 Series	/	M3	6mm	45.5mm/ 2-@180°



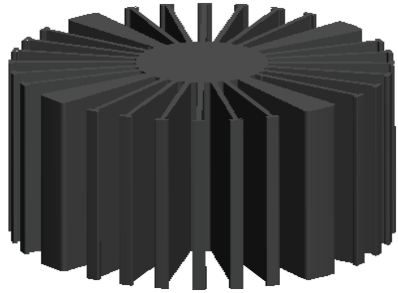
Tel: +86-769-39023131  
 E-fax: +86-(020)28819702 ext:22122  
 Email:sales@mingfatech.com  
 Http://www.heatsinkled.com  
 Http://www.mingfatech.com



*SimpoleD*

SimpoleD-SEO-160100 for Seoul Modular Passive LED Cooler  $\Phi$ 160mm

The thermal data table

	 <i>SimpoleD-160100</i>
<b>Model No.</b>	SimpoleD-SEO-160100
<b>Size</b>	$\Phi$ 160xH100mm
<b>Material</b>	AL6063-T5
<b>Finish</b>	Black Anodized
<b>Weight(g)</b>	2104.0
<b>Thermal Wattage</b>	100.2W
<b>Heatsink<math>\Theta</math>s-a<sup>2</sup></b>	324742
<b>Heat Sink T<sub>Rise Above Ambient</sub></b>	0.48

Dissipated Power Pd(W)	Pd = Pe x (1- $\eta$ L)	Heat sink to ambient thermal resistance Rhs-amb (°C/W)	Heat sink to ambient temperature rise Ths-amb (°C)
		SimpoleD-SEO-160100	SimpoleD-SEO-160100
15.0		0.64	9.6
30.0		0.56	16.8
45.0		0.52	23.4
60.0		0.50	30.0
75.0		0.48	36.0
90.0		0.46	41.4
100.0		0.48	48.0

