



for

LED



GooLED

GooLED-SHA-11050 Pin Fin LED Heat Sink Φ 110mm for Sharp

Features VS Benefits

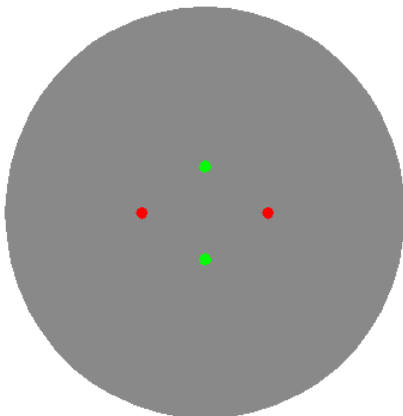
- * The GooLED-SHA-11050 Sharp Pin Fin LED Heat Sinks are specifically designed for luminaires using the Sharp LED engines.
- * Mechanical compatibility with direct mounting of the LED engines to the LED cooler and thermal performance matching the lumen packages.
- * For spotlight and downlight designs from 1500 to 4700 lumen.
- * Thermal resistance range Rth 1.3°C/W.
- * Modular design with mounting holes foreseen for direct mounting of SHARP Mini Zenigata, Tiger Zenigataand,Intermo and Mega Zenigata LED engines.
- * Diameter 110mm - standard height 50mm Other heights on request.
- * Forged from highly conductive aluminum.



Zhaga LED engine and radiator assembly is a unified future international standardization

- * Below you find an overview of Sharp engines COB's and LED modules which standard fit on the GooLED Pin Fin LED Heat Sinks.
- * In this way mechanical after work and related costs can be avoided, and lighting designers can standardize their designs on a limited number of LED Pin Fin LED Heat Sink.

SHARP



Sharp LED Modules Mounting indicator marks overview

For the Mini Mega Zenigata Modules names:

- | | |
|--------------|--------------|
| GW6DMC27XFC; | GW6DGC27XFC; |
| GW6DMC30XFC; | GW6DGC30XFC; |
| GW6DMC40XFC; | GW6DGC40XFC; |
| GW6DMC50XFC; | GW6DGC50XFC; |
| GW6DMD27XFC; | GW6DGD27XFC; |
| GW6DMD30XFC; | GW6DGD30XFC; |
| GW6DMD40XFC; | GW6DGD40XFC; |
| GW6DMD50XFC; | GW6DGD50XFC; |
| GW6DME27XFC; | GW6DGE27XFC; |
| GW6DME30XFC; | GW6DGE30XFC; |
| GW6DME40XFC; | GW6DGE40XFC; |
| GW6DME50XFC; | GW6DGE50XFC; |

Zhaga Book3 Holders:
TE Connectivity:2213130-2;
BJB holder:47.319.2011.50;
A.A.G Stucchi holder:8301/G2

For the Intermo LED modules name:

- | | |
|------------------------------|--------------------------|
| Standard LED modules: | Slim LED modules: |
| GW7MMD30GZC; | GW7MMD30GSC; |
| GW7MGE30GZC; | GW7MGE30GSC; |
| GW7MMD40GZC; | GW7MMD40GSC; |
| GW7MGE40GZC; | GW7MGE40GSC; |
| GW7MME30GZC; | GW7MME30GSC; |
| GW7MME40GZC; | GW7MME40GSC; |

Mounting with machine screws M3x6mm;
Red indicator marks

For the Tiger Zenigataand LED modules name:

GW6TGCBG40C;

Zhaga Book3 Holders:
BJB holder:47.319.2050.50;
Mounting with machine screws M3x6mm;
Red indicator marks

Tel:+86-769-33252828 +86-769-33251919
E-fax:+86-(020)28819702 ext:22122
Email:sales@mingfatech.com
Http://www.heatsinkled.com
Http://www.mingfatech.com





GooLED

GooLED-SHA-11050 Pin Fin LED Heat Sink Φ 110mm for Sharp

Mounting Options and Drawings & Dimensions

Example:GooLED-SHA-11050-B-3

Example:GooLED-SHA-110 **1** - **2** - **3**

- 1** Height (mm)
- 2** Anodising Color
B-Black
C-Clear
Z-Custom
- 3** Mounting Options - see graphics for details Combinations available
Ex.order code - 12
means option 1 and 2 combined

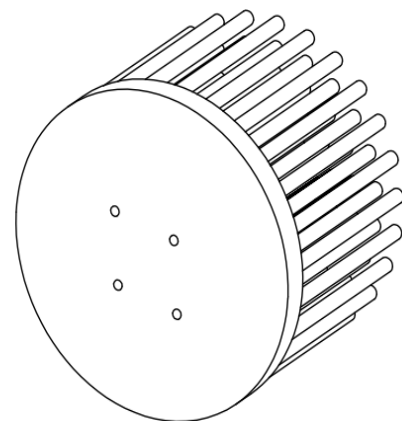
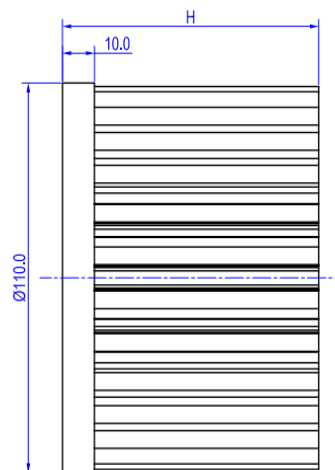
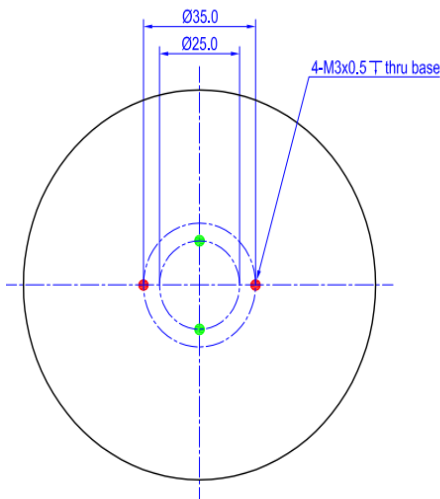
Notes:

- Mentioned models are an extraction of full product range.
- For specific mechanical adaptations please contact MingfaTech.
- MingfaTech reserves the right to change products or specifications without prior notice.

SHARP



MOUNTING OPTION	Module type	Holder NO.	THREAD	THREAD DEPTH	THREAD HOLE DISTANCE
1	Mini ZENIGATA	BJB (47.319.6180.50)	M3	6mm	25.0mm/ @180°
		A.A.G Stucchi (8300/G2)			
2	Mega ZENIGATA	BJB (47.319.2011.50)	M3	6mm	35.0mm/ @180°
		Type (2213130-2)			
		A.A.G Stucchi (8301/G2)			
	Tiger Zenigataand	BJB (47.319.2050.50)			
	Standard Slim	/			



Tel:+86-769-33252828 +86-769-33251919
 E-fax:+86-(020)28819702 ext:22122
 Email:sales@mingfatech.com
 Http://www.heatsinkled.com
 Http://www.mingfatech.com





for

LED



GooLED

GooLED-SHA-11050 Pin Fin LED Heat Sink Φ 110mm for Sharp

The thermal data table

	 <i>GooLED-11050</i>
Model No.	GooLED-SHA-11050
Size	Φ110xH50mm
Material	AL1070
Finish	Black Anodized
Weight(gr)	463.0
Thermal Wattage	39.0W
HeatsinkΘs-a²	83372
Heat Sink T Rise Above Ambient	1.3

Dissipated Power Pd(W)	Heat sink to ambient thermal resistance Rhs-amb (°C/W)		Heat sink to ambient temperature rise Ths-amb (°C)	
	GooLED-SHA-11050		GooLED-SHA-11050	
12.0	1.50	18.0		
23.5	1.40	33.0		
35.0	1.35	45.0		
47.0	1.05	51.0		
58.0	0.98	57.0		
70.0	0.92	65.0		

