



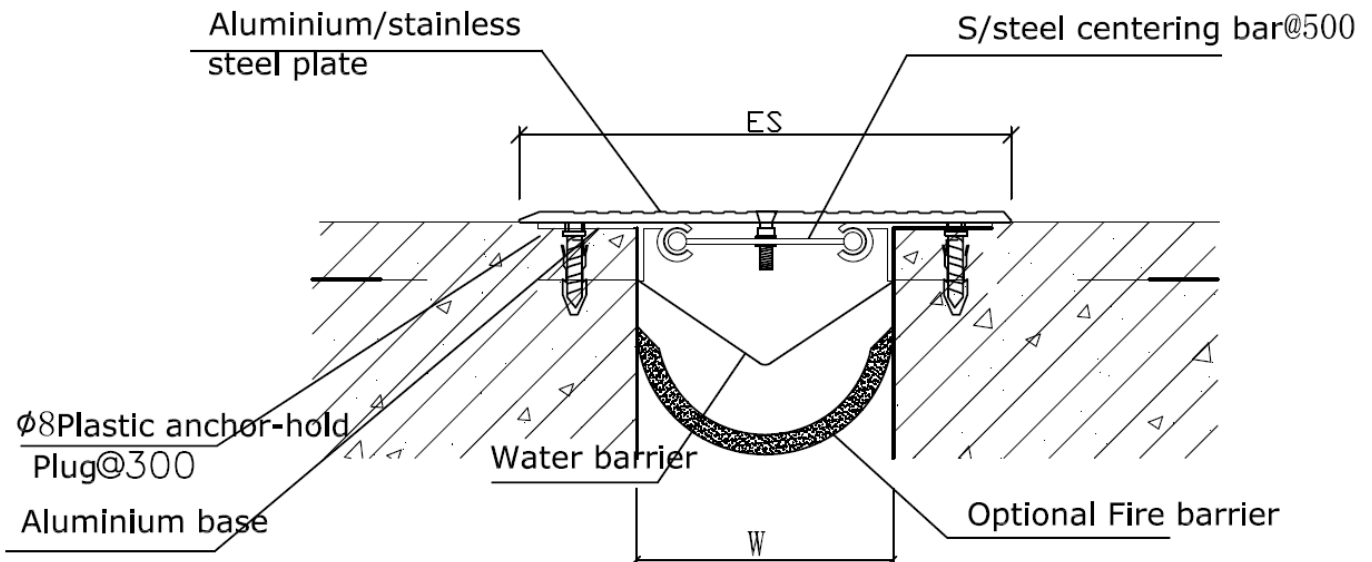
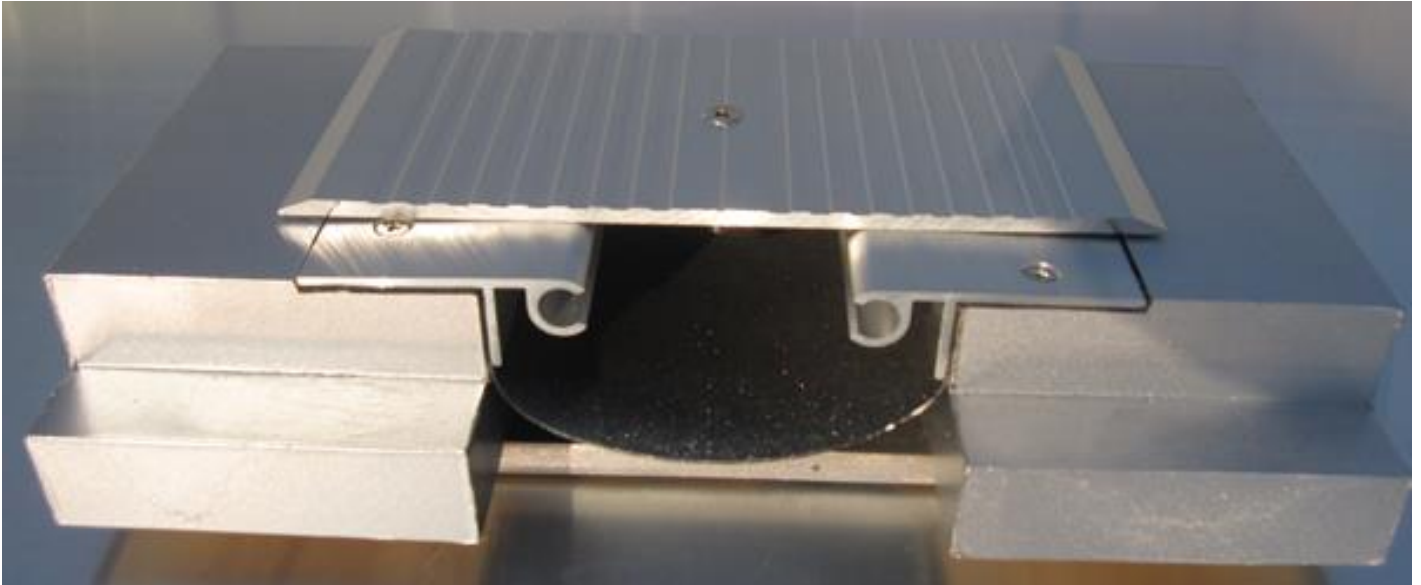
# MEISHUO Building Materials CO.,Ltd

Office: No.2208, Huaqiao Square, Pukou district, Nanjing,China

Tel: 0086-025-58196288 Fax:0086-025-58196399

Website: [www.msbox.com](http://www.msbox.com) E-mail:sariel@msbox.com

## MSDGJ EXPANSION JOINT SPEC DATA





# MEISHUO Building Materials CO.,Ltd

Office: No.2208, Huaqiao Square, Pukou district, Nanjing,China

Tel: 0086-025-58196288 Fax:0086-025-58196399

Website: [www.msbox.com](http://www.msbox.com) E-mail:sariel@msbox.com

## MSDGJ EXPANSION JOINT SPEC DATA

### Product Description:

An architectural line of thermal, seismic, waterproof and fire rated expansion joint systems meeting the aesthetic and structural demands of airports, hospitals, shopping malls and other building types.

### TECHNICAL DATA:

#### MATERIALS:

**Aluminum:** ASTM 6063T5 Mill finish, anodisation

Joint Width (W)	50	75	100	125	150	200	250	Remark (plate matched with joint width) 100> W ≥50, match 150mm*4mm Aluminum Profile plate; 150> W≥100, match 200mm*4mm Aluminum Profile plate; 200> W≥150, match 250mm*4.5mm Aluminum Profile plate 250>W≥200, match 300mm*5mm Aluminum Profile plate W=250mm, match 300mm*6.3mm Aluminum Profile plate	
Exposed surface (ES)	150	150	200	200	250	300	300		
Movement Capacity	Total	140	140	185	190	240	290		290
	+	115	90	110	90	115	115		65
	-	25	50	75	100	125	175		225
Wideness of Plate(mm)	150	150	200	200	250	300	300		
Thickness of Plate(mm)	4	4	4	4	4.5	5	6.3		
Load Capacity(KN)	25	20	10	10	10	10	10		

### WARRANTY:

Meishuo warrants that its products are manufactured free of defects and conform to the technical data listed. Under this warranty, we will replace any material proven defective when applied in accordance with our written instructions for applications recommended by us as suitable for subject products. Meishuo shall not be liable for any injury, loss or damage, direct or consequential, arising out of the use of the product.