



for

LED

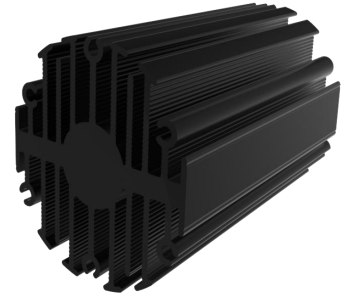


eLED

eLED-PHI-4680 for Philips Modular Passive Star LED Heat Sink  $\Phi$ 46mm

### Features VS Benefits

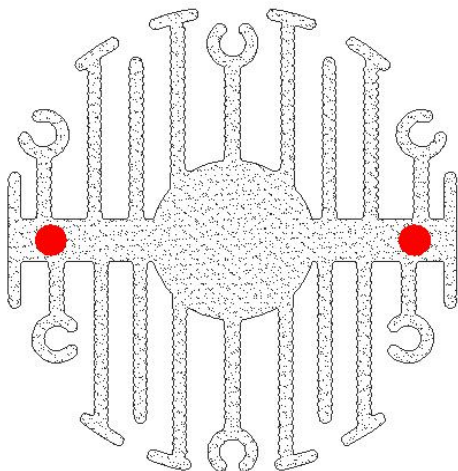
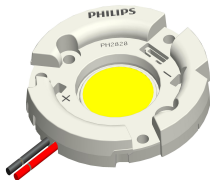
- \* The eLED-PHI-4680 Philips Modular Passive LED Coolers are specifically designed for luminaires using the Philips LED engines.
- \* Mechanical compatibility with direct mounting of the LED engines to the LED cooler and thermal performance matching the lumen packages.
- \* For spotlight and downlight designs from 600 to 1600 lumen.
- \* Thermal resistance range  $R_{th}$  3.8°C/W.
- \* Modular design with mounting holes foreseen for direct mounting of Philips SLM engines.
- \* Diameter 46.5mm - standard height 80mm Other heights on request.
- \* Extruded from highly conductive aluminum.



### Zhaga LED engine and radiator assembly is a unified future international standardization

- \* Below you find an overview of Philips COB's and LED modules which standard fit on the eLED coolers.
- \* In this way mechanical after work and related costs can be avoided, and lighting designers can standardize their designs on a limited number of LED coolers.

PHILIPS



Philips Spot Light LED engines for which Zhaga book3 LED Modules holders are available.

#### Philips Fortimo SLM LED modular Gen2:

Fortimo LED SLM 800LM 827 L13 G2;  
 Fortimo LED SLM 800LM 830 L13 G2;  
 Fortimo LED SLM 800LM 835 L13 G2;

Fortimo LED SLM 800LM 840 L13 G2;  
 Fortimo LED SLM 800LM 927 L13 G2;  
 Fortimo LED SLM 800LM 930 L13 G2;

Fortimo LED SLM 1100LM 827 L13 G2;  
 Fortimo LED SLM 1100LM 830 L13 G2;  
 Fortimo LED SLM 1100LM 835 L13 G2;  
 Fortimo LED SLM 1100LM 840 L13 G2;

#### Philips Fortimo SLM LED modular Gen4:

Fortimo LED SLM 1100LM 827 L9 G4;  
 Fortimo LED SLM 1100LM 830 L9 G4;  
 Fortimo LED SLM 1100LM 840 L9 G4;

Fortimo LED SLM 1100LM 827 L13 G4;  
 Fortimo LED SLM 1100LM 830 L13 G4;  
 Fortimo LED SLM 1100LM 840 L13 G4;

With Zhaga Book 3 LED holder for red indicator marks.  
 Direct mounting with machine screws M3x8mm;



# LED



**eLED**

eLED-PHI-4680 for Philips Modular Passive Star LED Heat Sink  $\Phi 46\text{mm}$

## Mounting Options and Drawings & Dimensions

Example: eLED-PHI-4680-B-1

Example: eLED-PHI-46 **1** - **2** - **3**

**1** Height (mm)

**2** Anodising Color

B-Black

C-Clear

Z-Custom

**3** Mounting Options - see graphics for details Combinations available

Ex.order code - 12

means option 1 and 2 combined

### Notes:

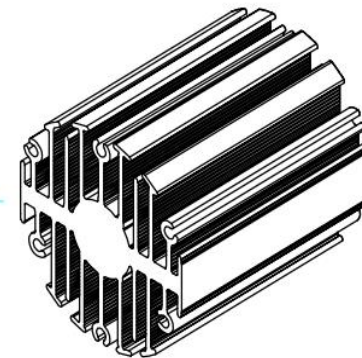
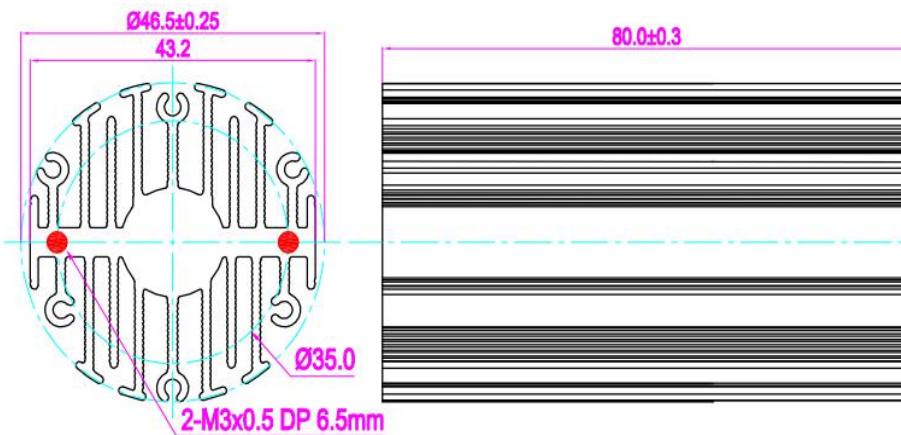
- Mentioned models are an extraction of full product range.
- For specific mechanical adaptations please contact MingfaTech.

MingfaTech reserves the right to change products or specifications without notification

# PHILIPS



MOUNTING OPTION	Module type	Holder NO.	THREAD	THREAD DEPTH	THREAD HOLE DISTANCE
1	Fortimo SLM	/	M3	6.5mm	35.0mm/ 2-@180°



for

LED

eLED

eLED-PHI-4680 for Philips Modular Passive Star LED Heat Sink  $\Phi$ 46mm

The thermal data table

	 <i>eLED-4680</i>
<b>Model No.</b>	<b>eLED-PHI-4680</b>
<b>Size</b>	<b><math>\Phi</math>46.5xH80mm</b>
<b>Material</b>	<b>AL6063-T5</b>
<b>Finish</b>	<b>Black Anodized</b>
<b>Weight(gr)</b>	<b>161.5</b>
<b>Thermal Wattage</b>	<b>13.0W</b>
<b>Heatsink<math>\Theta</math>s-a<sup>2</sup></b>	<b>69980</b>
<b>Heat Sink T Rise Above Ambient</b>	<b>3.8</b>

Dissipated Power Pd(W)	Pd = Pe x (1- $\eta$ L)	Heat sink to ambient thermal resistance Rhs-amb ( $^{\circ}$ C/W)	Heat sink toambienttemperature riseThs-amb ( $^{\circ}$ C)
		eLED-PHI-4680	
3		4.67	14
6		4.67	28
9		4.33	39
12		4.00	48
15		3.73	56

