

GooLED

GooLED-PRO-7850 Pin Fin LED Heat Sink Φ 78mm for Prolight Opto

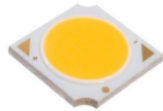
Features VS Benefits

- * The GooLED-PRO-7850 Prolight Opto Pin Fin LED Heat Sinks are specifically designed for luminaires using the Prolight Opto LED engines.
- * Mechanical compatibility with direct mounting of the LED engines to the LED cooler and thermal performance matching the lumen packages.
- * For spotlight and downlight designs from 1,200 to 3,500 lumen.
- * Thermal resistance range R_{th} 2.33°C/W.
- * Modular design with mounting holes foreseen for direct mounting of Prolight Opto COB series.
- * Diameter 78.0mm - standard height 50.0mm Other heights on request.
- * Forged from highly conductive aluminum.



Zhaga LED engine and radiator assembly is a unified future international standardization

- * Below you find an overview of Prolight Opto COB's and LED modules which standard fit on the Pin Fin LED Heat Sinks.
- * In this way mechanical after work and related costs can be avoided, and lighting designers can standardize their designs on a limited number of LED Pin Fin LED Heat Sink.



A. A. G.
STUCCHI
ideas are made of light



Prolight Opto LED Modules directly Mounting Options

Prolight Opto COB G-II and COB Series:

PACL-78xxx-xxxx; PACL-115xxx-xxxx;
PACL-86xxx-xxxx; PACG-110xxx-xxxx;

With the Zhaga Book 3 holders for the green indicator marks.
BJB holder: 47.319.2030.50;
AAG.STUCCHI: 8102-G2
Without the holders for the blue indicator marks.
Direct mounting with machine screws M3x6.5mm.

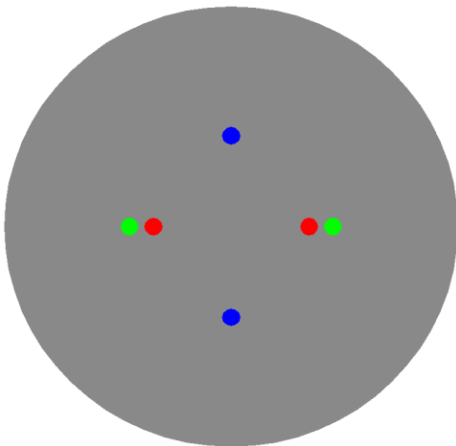
Prolight Opto LED Modules directly Mounting Options

Prolight Opto COB G-II and COB Series:

PACK-35xxx-xxxx; PACF-40xxx-xxxx;
PACK-42xxx-xxxx; PACF-35xxx-xxxx;
PACK-57xxx-xxxx;

With the Zhaga Book 3 holders for the green indicator marks.
BJB holder: 47.319.2021.50;
AAG.STUCCHI: 8101-G2
Without the holders for the red indicator marks.
Direct mounting with machine screws M3x6.5mm.

With the LEDiL products:
Olivia series: FN14637-S
Ronda series: FN15xxx-xx;





GooLED

GooLED-PRO-7850 Pin Fin LED Heat Sink Φ 78mm for Prolight Opto

Mounting Options and Drawings & Dimensions

Example:GooLED-PRO-7850-B-1,2

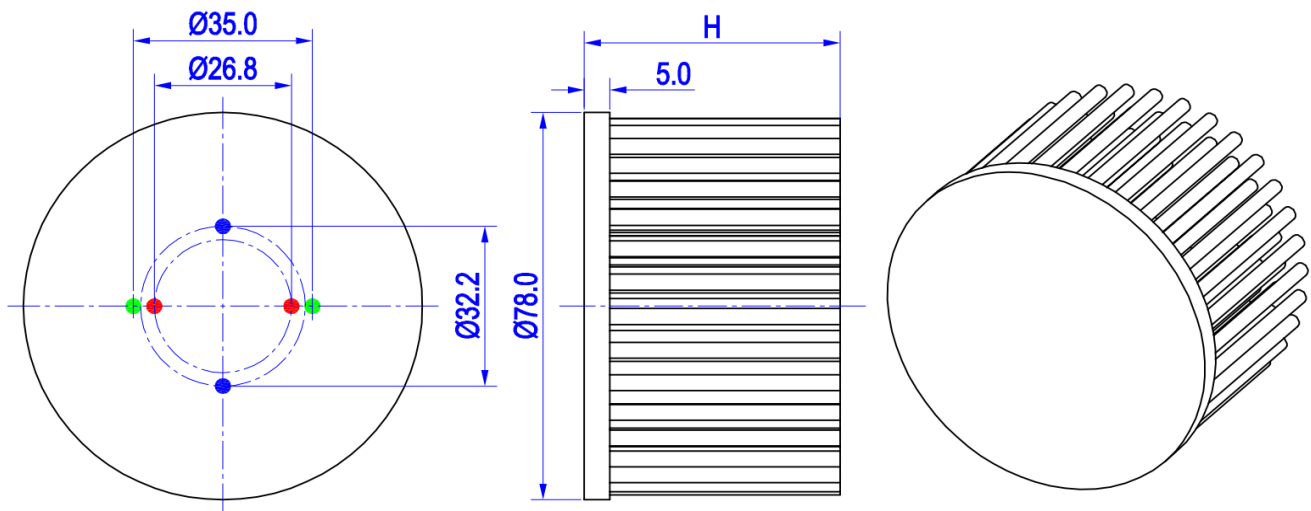
Example:GooLED-PRO-78 **1** - **2** - **3**

- 1** Height (mm)
- 2** Anodising Color
B-Black
C-Clear
Z-Custom
- 3** Mounting Options - see graphics for details Combinations available
Ex.order code - 12
means option 1 and 2 combined

Notes:

- Mentioned models are an extraction of full product range.
- For specific mechanical adaptations please contact MingfaTech.
- MingfaTech reserves the right to change products or specifications without prior notice.

MOUNTING OPTION	Module type	Holder NO.	LEDiL products		THREAD	THREAD DEPTH	THREAD HOLE DISTANCE
			Olivia series	Ronda series			
1	COB series (19.0*19.0)	/	FN14637-S	FN15xxx-xx;	M3	6.5mm	26.8mm/ 2-@180°
2	COB series (28.0*28.0)	/	/	/	M3	6.5mm	32.2mm/ 2-@180°
3		BJB Holder 47.319.2030.50	/	/	M3	6.5mm	35.0mm/ 2-@180° (Zhaga book 3)
	AAG.STUCCHI 8102-G2	FN14637-S	FN15xxx-xx;				
3	COB series (19.0*19.0)	BJB Holder 47.319.2021.50	FN14637-S	FN15xxx-xx;	M3	6.5mm	35.0mm/ 2-@180° (Zhaga book 3)
		AAG.STUCCHI 8101-G2					



GooLED

GooLED-PRO-7850 Pin Fin LED Heat Sink $\Phi 78\text{mm}$ for Prolight Opto

The product data table

	Model No.	GooLED-PRO-7850
	Heatsink Size	$\Phi 78 \times H 50\text{mm}$
	Heatsink Material	AL1070
	Finish	Black Anodized
	Weight (g)	197.0
	Dissipated power ($T_{hs-amb}, 50^\circ\text{C}$)	21.5 (W)
	Cooling surface area (mm^2)	75332
	Thermal Resistance (R_{hs-amb})	2.33 ($^\circ\text{C}/\text{W}$)

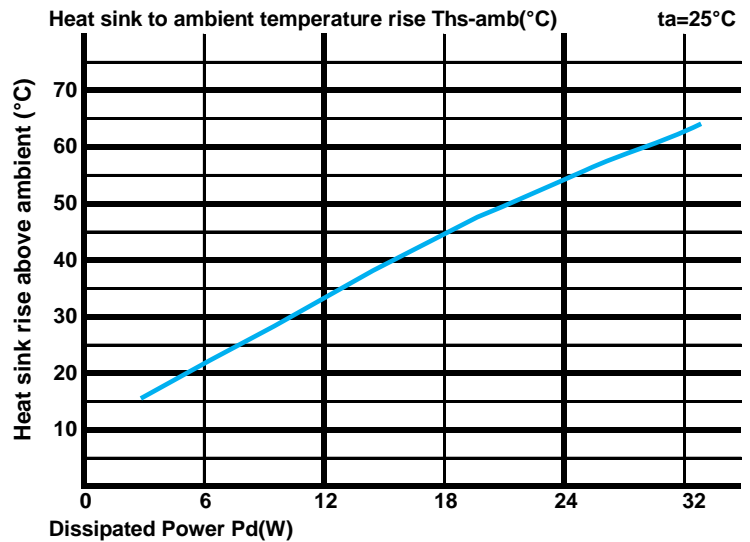
The thermal data table

* Please be aware the dissipated power P_d is not the same as the electrical power P_e of a LED module.

* To calculate the dissipated power please use the following formula: $P_d = P_e \times (1 - \eta_L)$.

P_d - Dissipated power ; P_e - Electrical power ; η_L = Light efficiency of the LED module;

Dissipated Power P_d (W)	$P_d = P_e \times (1 - \eta_L)$	Heat sink to ambient thermal resistance R_{hs-amb} ($^\circ\text{C}/\text{W}$)	Heat sink to ambient temperature rise T_{hs-amb} ($^\circ\text{C}$)
		GooLED-PRO-7850	
6.0		3.50	21.0
12.0		2.67	32.0
18.0		2.44	44.0
24.0		2.25	54.0
32.0		1.97	63.0



*The aluminum substrate side of the package outer shell is thermally connected to the heat sink via TIM (Thermal interface material).

MingFa recommends the use of a high thermal conductive interface between the LED module and the LED cooler.

Either thermal grease, A thermal pad or a phase change thermal pad thickness 0.1-0.15mm is recommended.



*Thermal resistance is a heat property and a measurement of a temperature difference by which an object or material resists a heat flow.

Geometric shapes are different, the thermal resistance is different. Formula: $\theta = (T_{hs} - T_a) / P_d$

θ - Thermal Resistance [$^\circ\text{C}/\text{W}$]; T_{hs} - Heatsink temperature ; T_a - Ambient temperature ;

*The thermal resistance between the junction section of the light-emitting diode and the aluminum substrate side of the package outer shell is $R_{\text{junction-case}}$, the thermal resistance of the TIM outside the package is $R_{\text{interface (TIM)}}$ [$^\circ\text{C}/\text{W}$], the thermal resistance with the heat sink is $R_{\text{heatsink-ambient}}$ [$^\circ\text{C}/\text{W}$], and the ambient temperature is T_{ambient} [$^\circ\text{C}$].

*Thermal resistances outside the package $R_{\text{interface (TIM)}}$ and $R_{\text{heatsink-ambient}}$ can be integrated into the thermal resistance $R_{\text{case-ambient}}$ at this point. Thus, the following formula is also used:

$$T_{\text{junction}} = (R_{\text{junction-case}} + R_{\text{case-ambient}}) \cdot P_d + T_{\text{ambient}}$$