



for

LED

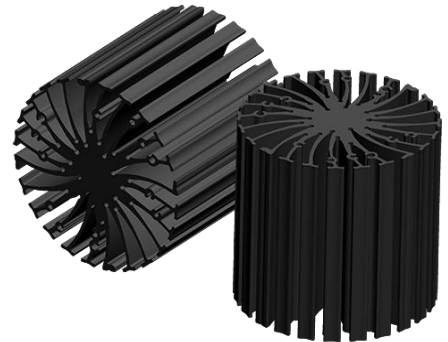


**EtraLED**

**EtraLED-SHA-8580 Sharp Modular Passive Star LED Heat Sink  $\Phi$ 85mm**

**Features VS Benefits**

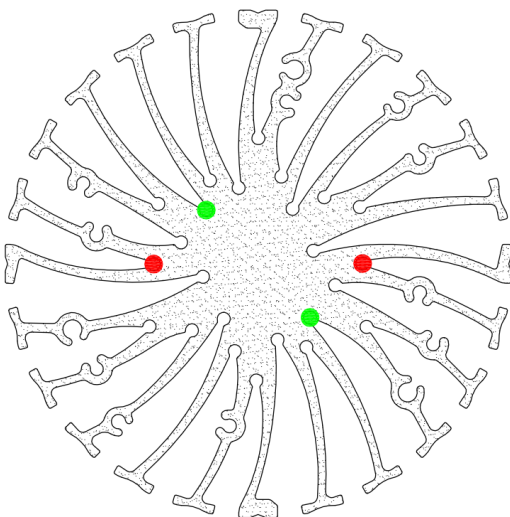
- \* The EtraLED-SHA8580 Sharp Modular Passive Star LED Heat Sinks are specifically designed for luminaires using the Sharp LED engines.
- \* Mechanical compatibility with direct mounting of the LED engines to the LED cooler and thermal performance matching the lumen packages.
- \* For spotlight and downlight designs from 1800 to 4600 lumen.
- \* Thermal resistance range Rth 1.3°C/W.
- \* Modular design with mounting holes foreseen for direct mounting of SHARP Mini Zenigata , Intermo and Mega Zenigata LED engines.
- \* Diameter 85mm - standard height 80mm Other heights on request.
- \* Extruded from highly conductive aluminum.



**Zhaga LED engine and radiator assembly is a unified future international standardization**

- \* Below you find an overview of Sharp engines COB's and LED modules which standard fit on the EtraLED Star LED Heat Sinks.
- \* In this way mechanical after work and related costs can be avoided, and lighting designers can standardize their designs on a limited number of Star LED Heat Sinks.

**SHARP**



**Sharp LED engines Mounting Options**

**Mega Zenigata LED modules name:**

- |              |              |
|--------------|--------------|
| GW6DGA27XFC; | GW6DMC27XFC; |
| GW6DGA30XFC; | GW6DMC30XFC; |
| GW6DGA40XFC; | GW6DMC40XFC; |
| GW6DGA50XFC; | GW6DMC50XFC; |
| GW6DMA27XFC; | GW6DGC27XFC; |
| GW6DMA30XFC; | GW6DGC30XFC; |
| GW6DMA40XFC; | GW6DGC40XFC; |
| GW6DMA50XFC; | GW6DGC50XFC; |

Zhaga Book3 connector:  
 BJB Spotlight connector:47.319.2011.50; TE Connectivity:2213130-2;  
 Mounting with machine screws M3x8mm;  
 Red indicator marks

**Intermo LED modules name:**

- |                                      |                                  |
|--------------------------------------|----------------------------------|
| <b>For the Standard LED modules:</b> | <b>For the Slim LED modules:</b> |
| GW7MMC30GZC;                         | GW7MMC30GSC;                     |
| GW7MGD30GZC;                         | GW7MGD30GSC;                     |
| GW7MMC40GZC;                         | GW7MMC40GSC;                     |
| GW7MGD40GZC;                         | GW7MGD40GSC;                     |

Zhaga Book3 connector:  
 BJB Spotlight connector:47.319.2011.50; TE Connectivity:2213130-2;  
 Mounting with machine screws M3x8mm;  
 Red indicator marks

**Mini Mega Zenigata LED modules name:**

- |              |              |
|--------------|--------------|
| GW6BMR27HED; | GW6BGR27HED; |
| GW6BMR30HED; | GW6BGR30HED; |
| GW6BMR40HED; | GW6BGR40HED; |
| GW6BMR50HED; | GW6BGR50HED; |
| GW6BMS27HED; | GW6BGS27HED; |
| GW6BMS30HED; | GW6BGS30HED; |
| GW6BMS40HED; | GW6BGS40HED; |
| GW6BMS50HED; | GW6BGS50HED; |

Zhaga Book11 connector :  
 BJB Spotlight connector:47.319.6180.50;  
 Direct mounting with machine screws M3x8mm;  
 Green indicator marks

Tel:+86-769-39023131  
 E-fax:+86-(020)28819702 ext:22122  
 Email:sales@mingfatech.com  
 Http://www.heatsinkled.com  
 Http://www.mingfatech.com





# LED



**EtraLED**

EtraLED-SHA-8580 Sharp Modular Passive Star LED Heat Sink  $\Phi$ 85mm

## Mounting Options and Drawings & Dimensions

Example: EtraLED-SHA-8580-B-3

Example: EtraLED-SHA-85 **1** - **2** - **3**

- 1** Height (mm)
- 2** Anodising Color  
B-Black  
C-Clear  
Z-Custom
- 3** Mounting Options - see graphics for details Combinations available  
Ex.order code - 12  
means option 1 and 2 combined

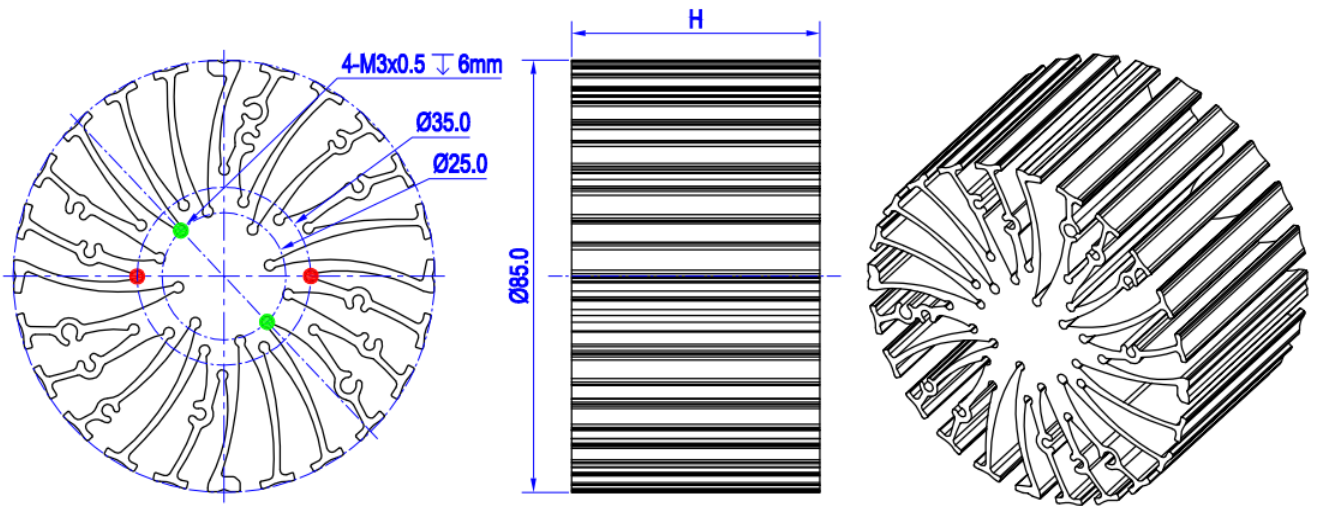
**Notes:**

- Mentioned models are an extraction of full product range.
- For specific mechanical adaptations please contact MingfaTech.
- MingfaTech reserves the right to change products or specifications without prior notice.

# SHARP



MOUNTING OPTION	Module type	Holder NO.	THREAD	THREAD DEPTH	THREAD HOLE DISTANCE
1	Mini ZENIGATA	BJB (47.319.6180.50)	M3	8mm	25.0mm/ @180°
2	Mega ZENIGATA	BJB (47.319.2011.50)	M3	8mm	35.0mm/ @180°
	Standard Slim	Type (2213130-2)			



Tel:+86-769-39023131  
 E-fax:+86-(020)28819702 ext:22122  
 Email:sales@mingfatech.com  
 Http://www.heatsinkled.com  
 Http://www.mingfatech.com



*EtraLED*

EtraLED-SHA-8580 Sharp Modular Passive Star LED Heat Sink  $\Phi$ 85mm

The thermal data table

	 <i>EtraLED-8580</i>
<b>Model No.</b>	EtraLED-SHA-8580
<b>Size</b>	$\Phi$ 85xH80mm
<b>Material</b>	AL6063-T5
<b>Finish</b>	Black Anodized
<b>Weight(gr)</b>	458.0
<b>Thermal Wattage</b>	38.0W
<b>Heatsink<math>\Theta</math>s-a<sup>2</sup></b>	148458
<b>Heat Sink T Rise Above Ambient</b>	1.3

	Pd = Pe x (1- $\eta$ L)	Heat sink to ambient thermal resistance Rhs-amb (°C/W)	Heat sink to ambient temperature rise Ths-amb (°C)
		EtraLED-SHA-8550	EtraLED-SHA-8550
Dissipated Power Pd(W)	10	1.9	19
	15	1.7	26
	20	1.6	32
	25	1.5	37
	30	1.4	43
	35	1.4	48
	40	1.3	53
	50	1.2	62

