



# LED



## *SimpoleD* SimpoleD-LUME-16050 for Lumens Modular Passive LED Cooler $\Phi$ 160mm

### Features VS Benefits

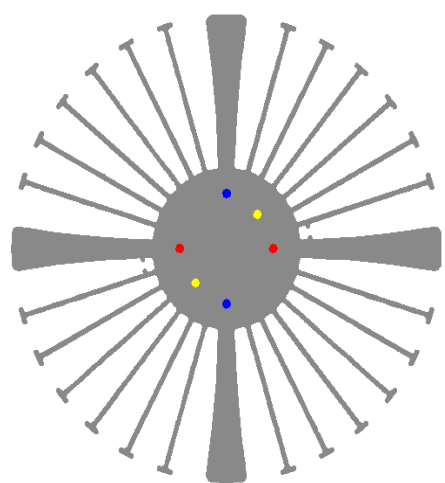
- \* The SimpoleD-LUME-16050 Lumens Modular Passive LED Coolers are specifically designed for luminaires using the Lumens LED engines.
- \* Mechanical compatibility with direct mounting of the LED engines to the LED cooler and thermal performance matching the lumen packages.
- \* For spotlight and downlight designs from 2500 to 8500 lumen.
- \* Thermal resistance range Rth 0.68°C/W.
- \* Modular design with mounting holes foreseen for direct mounting of Lumens ERC2530, ERC2540, ERC3050 and ERC3070 LED engines.
- \* Diameter 160mm - standard height 50mm Other heights on request.
- \* Extruded from highly conductive aluminum.



### Lumens LED engine and radiator assembly directly Mounting Options

- \* Below you find an overview of Lumens COB's and LED modules which standard fit on the SimpoleD coolers.
- \* In this way mechanical after work and related costs can be avoided, and lighting designers can standardize their designs on a limited number of LED coolers.

## LUMENS



**Lumens LED engines for which Zhaga LED Modules holders are available.**

For the ERC2530/2540 LED engines.

ERC2530S8xxHE;	ERC2540S8xxHE;
ERC2530S9xxHE;	ERC2540S9xxHE;

Mounting with machine screws M3x8mm;  
 NO.1:With Zhaga Book 3 LED holder for red indicator marks.  
 (Ideal Holder:50-2102CR);  
 (BJB Holder:47.319.2141.50);  
 (AAG.STUCCHI holder:8401-G2);  
 NO.2:Without the LED holder for yellow indicator marks.

For the ERC3050 LED engines.

ERC3050S8xxHE;  
 ERC3050S9xxHE;

For the ERC3070 LED engines.

ERC3070S8xxHE;  
 ERC3070S9xxHE;

Mounting with machine screws M3x8mm;  
 NO.1:With Zhaga Book 3 LED holder for red indicator marks.  
 (Ideal Holder:50-2234C);  
 (BJB holder:47.319.2151.50);  
 NO.2:Without the LED holder for blue indicator marks.

Please refer to the [www.lumensleds.com](http://www.lumensleds.com) data provided on the manual.



# LED



## SimpoLED SimpoLED-LUME-16050 for Lumens Modular Passive LED Cooler $\Phi$ 160mm

### Mounting Options and Drawings & Dimensions

Example: SimpoLED-LUME-16050-B-3

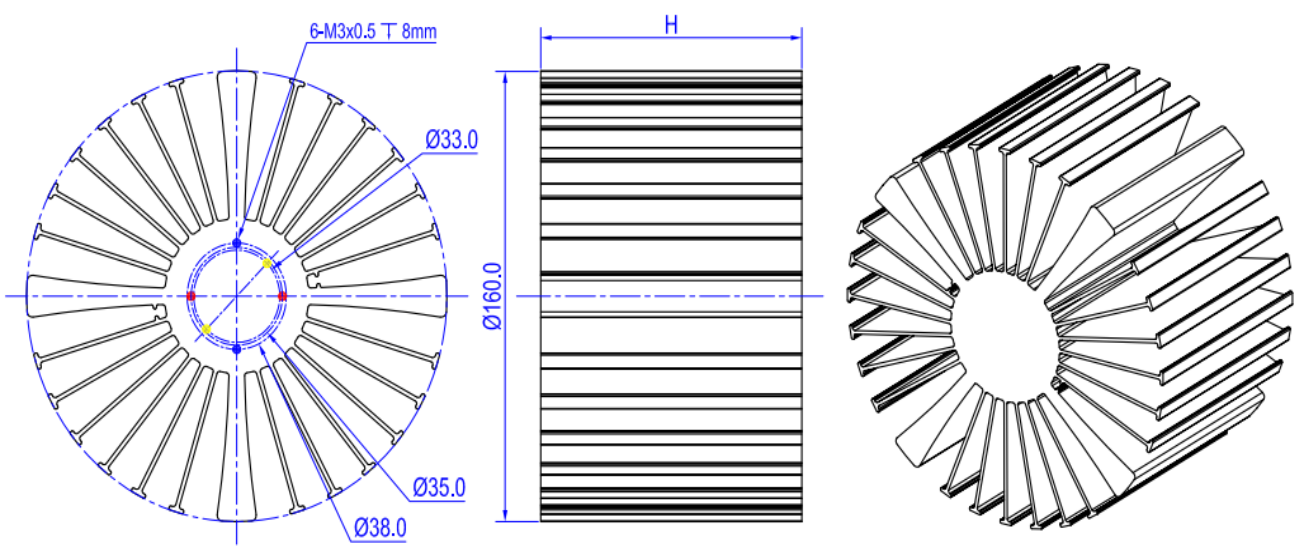
Example: SimpoLED-LUME-160 **1** - **2** - **3**

- 1** Height (mm)
- 2** Anodising Color
  - B-Black
  - C-Clear
  - Z-Custom
- 3** Mounting Options - see graphics for details Combinations available
  - Ex.order code - 12
  - means option 1 and 2 combined

**Notes:**

- Mentioned models are an extraction of full product range.
- For specific mechanical adaptations please contact MingfaTech.
- MingfaTech reserves the right to change products or specifications without prior notice.

MOUNTING OPTION	Module type	Holder NO.	THREAD	THREAD DEPTH	THREAD HOLE DISTANCE
1	ERC2530 ERC2540	/	M3	8mm	33.0mm/ 2-@150°
2	ERC2530 ERC2540	Ideal 50-2102CR	M3	8mm	35.0mm/ 2-@150°
		BJB 47.313.2141.50			
	ERC3050 ERC3070	AAG. 8401-G2			
		Ideal 50-2234C			
	ERC3050 ERC3070	BJB 47.313.2131.50			
3	ERC3050 ERC3070	/	M3	8mm	38.0mm/ 2-@150°



Tel:+86-769-39023131  
 E-fax:+86-(020)28819702 ext:22122  
 Email:sales@mingfatech.com  
 Http://www.heatsinkled.com  
 Http://www.mingfatech.com



*SimpoleD*

SimpoleD-LUME-16050 for Lumens Modular Passive LED Cooler  $\Phi$ 160mm

The thermal data table

	 <p><i>SimpoleD-16050</i></p>
<b>Model No.</b>	<b>SimpoleD-LUME-16050</b>
<b>Size</b>	<b>D160xH50mm</b>
<b>Material</b>	<b>AL6063-T5</b>
<b>Finish</b>	<b>Black Anodized</b>
<b>Weight(g)</b>	<b>1052.0</b>
<b>Thermal Wattage</b>	<b>71.3W</b>
<b>HeatsinkOs-a<sup>2</sup></b>	<b>179161</b>
<b>Heat Sink T Rise Above Ambient</b>	<b>0.68</b>

Dissipated Power Pd(W)	Pd = Pe x (1-ηL)	Heat sink to ambient thermal resistance Rhs-amb (°C/W)	Heat sink to ambient temperature rise Ths-amb (°C)
		SimpoleD-LUME-16050	SimpoleD-LUME-16050
15.0		0.82	12.3
30.0		0.72	21.7
45.0		0.67	30.2
60.0		0.63	38.0
75.0		0.60	45.7
90.0		0.58	53.0
100.0		0.57	57.7

