

SimpoLED

SimpoLED-LUN-160150 for Luminus Modular Passive LED Cooler Φ 160mm

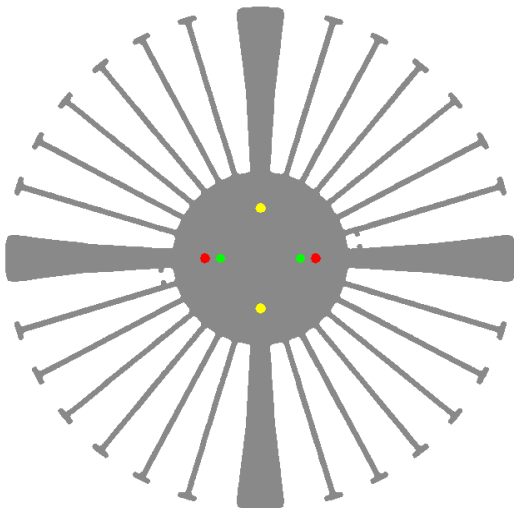
Features VS Benefits

- * The SimpoLED-LUN-160150 Luminus Modular Passive LED Coolers are specifically designed for luminaires using the Luminus LED engines.
- * Mechanical compatibility with direct mounting of the LED engines to the LED cooler and thermal performance matching the lumen packages.
- * For spotlight and downlight designs from 2200 to 1,3000 lumen.
- * Thermal resistance range Rth 0.42°C/W.
- * Modular design with mounting holes foreseen for direct mounting of Luminus COB LED engines.
- * Diameter 160mm - standard height 150mm Other heights on request.
- * Extruded from highly conductive aluminum.



Luminus LED engine and radiator assembly directly Mounting Options

- * Below you find an overview of Luminus COB's and LED modules which standard fit on the SimpoLED coolers.
- * In this way mechanical after work and related costs can be avoided, and lighting designers can standardize their designs on a limited number of LED coolers.



Luminus LED engines Mounting Options

CXM-22 COB Arrays LED Modules names:

- CXM-22-27-XX-36-AC00-XX-X;
- CXM-22-30-XX-36-AC00-XX-X;
- CXM-22-35-XX-36-AC00-XX-X;
- CXM-22-40-XX-36-AC00-XX-X;
- CXM-22-50-XX-36-AC00-XX-X;
- CXM-22-65-XX-36-AC00-XX-X;

CHM-22 COB Arrays LED Modules names:

- CHM-22-27-XX-36-AC00-XX-X;
- CHM-22-30-XX-36-AC00-XX-X;
- CHM-22-35-XX-36-AC00-XX-X;
- CHM-22-40-XX-36-AC00-XX-X;
- CHM-22-50-XX-36-AC00-XX-X;
- CHM-22-65-XX-36-AC00-XX-X;

With Zhaga Book 3 for red indicator marks:

- BJB Holder:47.319.2030.50;
- AAG.STUCCHI holder:8102-G2;
- Direct mounting with machine screws M3x6mm;
- Without LED holders for yellow indicator marks.
- Direct mounting with machine screws M3x6mm;

Luminus CHM-18,CVM-18 LED engines.

- CHM-18-27-XX-36-AC00-XX-X;
- CHM-18-30-XX-36-AC00-XX-X;
- CHM-18-35-XX-36-AC00-XX-X;
- CHM-18-40-XX-36-AC00-XX-X;
- CHM-18-50-XX-36-AC00-XX-X;
- CHM-18-65-XX-36-AC00-XX-X;

- CVM-18-31-XX-36-AA00-XX-X;
- CVM-18-56-XX-36-AA00-XX-X;

Green indicator marks.
Direct mounting with machine screws M2x6mm;

SimpoleD

SimpoleD-LUN-160150 for Luminus Modular Passive LED Cooler Φ 160mm

Mounting Options and Drawings & Dimensions

Example: SimpoleD-LUN-160150-B-3

Example: SimpoleD-LUN-160 **1** - **2** - **3**

1 Height (mm)

2 Anodising Color

B-Black

C-Clear

Z-Custom

3 Mounting Options - see graphics for details Combinations available

Ex.order code - 12

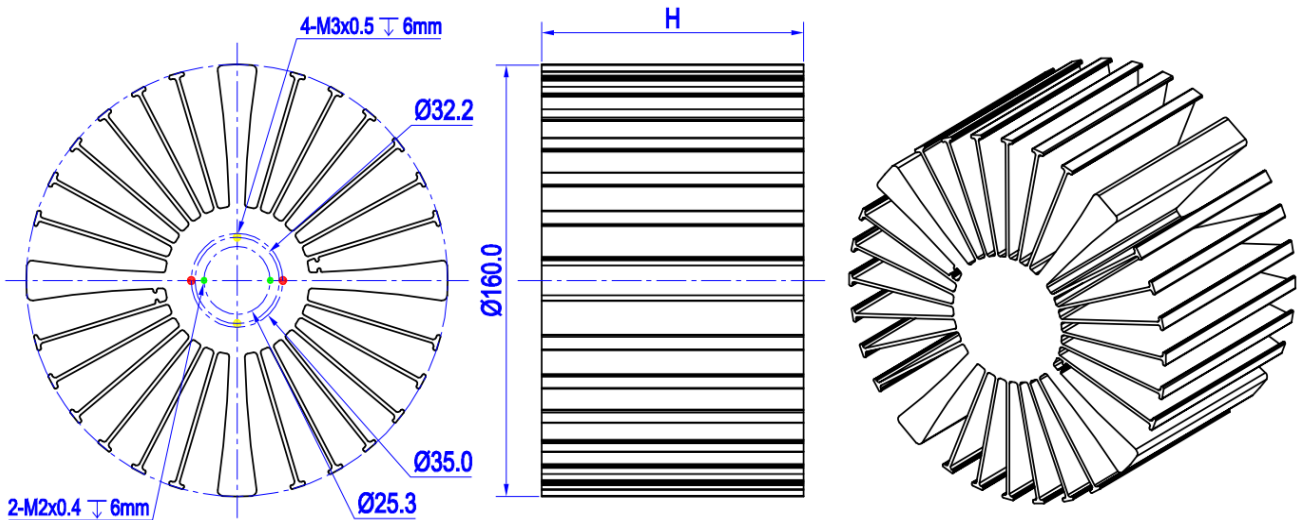
means option 1 and 2 combined

Notes:

- Mentioned models are an extraction of full product range.
- For specific mechanical adaptations please contact MingfaTech.
- MingfaTech reserves the right to change products or specifications without prior notice.



MOUNTING OPTION	Module type	Holder NO.	THREAD	THREAD DEPTH	THREAD HOLE DISTANCE
1	CHM-18 CVM-18	/	M2	6mm	25.3mm/ 2-@180°
2	CHM-22 CXM-22	/	M3	6mm	32.2mm/ 2-@180°
3		AAG.STUCCHI 8102-G2 BJB 47.313.2030.50	M3	6mm	35.0mm/ 2-@180°



SimpoLED

SimpoLED-LUN-160150 for Luminus Modular Passive LED Cooler Φ160mm

The thermal data table

	<i>SimpoLED-160150</i>
Model No.	SimpoLED-LUN-160150
Size	Φ160xH150mm
Material	AL6063-T5
Finish	Black Anodized
Weight(gr)	3155.0
Thermal Wattage	120.0W
HeatsinkOs-a²	506323
Heat Sink T Rise Above Ambien	0.42

Dissipated Power Pd(W)	Pd = Pe x (1-ηL)	Heat sink to ambient thermal resistance Rhs-amb (°C/W)	Heat sink to ambient temperature rise Ths-amb (°C)
		SimpoLED-LUN-160150	SimpoLED-LUN-160150
25.0		0.56	14.0
45.0		0.53	24.0
60.0		0.50	30.0
75.0		0.47	35.0
90.0		0.44	40.0
100.0		0.43	43.0
120.0		0.42	50.0

