



for

LED

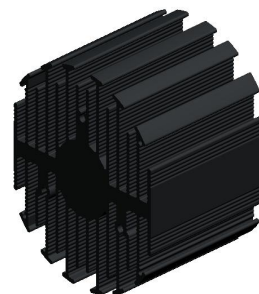


eLED

eLED-XIT-7050 Pin Fin LED Heat Sink Φ 70mm for Xicato

Features VS Benefits

- * The eLED-XIT-7050 Xicato Pin Fin LED Heat Sinks are specifically designed for luminaires using the Xicato LED engines.
- * Mechanical compatibility with direct mounting of the LED engines to the LED cooler and thermal performance matching the lumen packages.
- * For spotlight and downlight designs from 800 to 2600 lumen.
- * Thermal resistance range R_{th} 2.18°C/W.
- * The cooler design with mounting holes foreseen for direct mounting of Xicato XSM, XIM and XTM Modules .
- * Diameter 70mm - standard height 50mm Other heights on request.
- * Extruded from highly conductive aluminum.



Zhaga LED engine and radiator assembly is a unified future international standardization

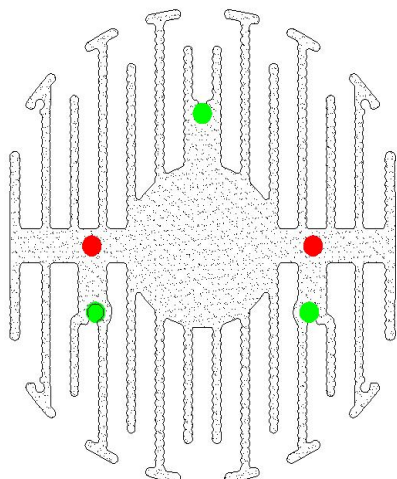
- * Below you find an overview of Xicato LED modules which standard fit on the Star LED Heat Sinks.
- * In this way mechanical after work and related costs can be avoided, and lighting designers can standardize their designs on a limited number of Star LED Heat Sinks.

XICATO



Available Now
XIM 19mm
XTM 19mm

Coming Soon
XIM 9mm
XTM 9mm



Xicato LED Modules directly Mounting Options

Xicato XSM LED modules name :

- XSM8027-xxxx ; XSM9530-xxxx ;
- XSM8030-xxxx ; XSM9540-xxxx ;
- XSM8040-xxxx ; XSMV830-xxxx ;
- XSM9527-xxxx ;

Direct mounting with 3 screws M3 x 12mm;
Green indicator marks.

Xicato XIM LED modules name :

- XIM198027-xxx ; XIM198040-xxx ; XIM09-V9xxxxxx ;
- XIM198030-xxx ; XIM19V830-xxx ;
- XIM198035-xxx ; XIM0980 xxxxxx ;

Direct mounting with 3 screws M3 x 20mm;
Green indicator marks.

Xicato XTM LED modules:

- XTM19-8027-xxx ; XTM19-8040-xxx ; XTM0995 xxxxxx ;
- XTM19-8030-xxx ; XTM19-V830-xxx ;
- XTM19-8035-xxx ; XTM09-V9xxxxxx ;

Direct mounting with 3 screws M3 x 10mm;
Green indicator marks.
Direct mounting by Zhaga mounting holes with 2 screws M3 x 10mm;
Red indicator marks.

eLED

eLED-XIT-7050 Pin Fin LED Heat Sink Φ 70mm for Xicato

Mounting Options and Drawings & Dimensions

Example: eLED-XIT-7050-B-1

Example: eLED-XIT-7050-**1**-**2**-**3**

1 Height (mm)

1 Anodising Color

B-Black

C-Clear

Z-Custom

2 Mounting Options - see graphics for details Combinations available

Ex.order code - 12

means option 1 and 2 combined

XICATO

Notes:

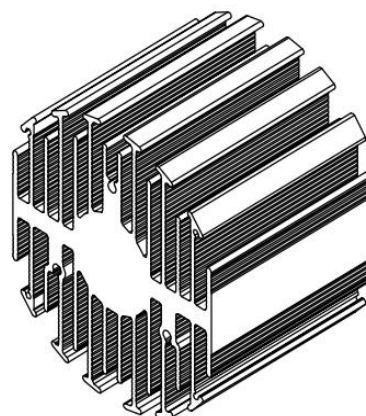
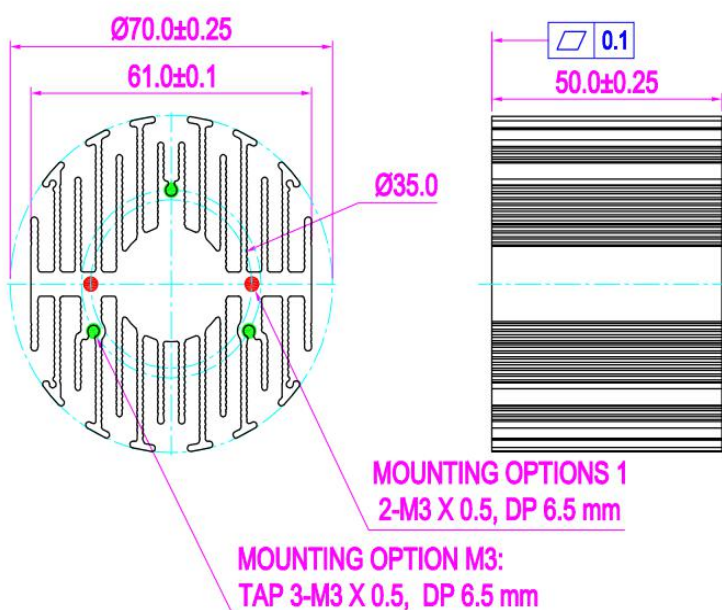
- Mentioned models are an extraction of full product range.

- For specific mechanical adaptations please contact MingfaTech.

-

MingfaTech reserves the right to change products or specifications without prior notice.

MOUNTING OPTION	PART NUMBER	THREAD	THREAD DEPTH
NONE	eLED-XIT-7050-#-N	NONE	NONE
1	eLED-XIT-7050-#-1	(2x)M3*0.5	5mm



Tel: +86-769-39023131

E-fax: +86-(020)28819702 ext22122

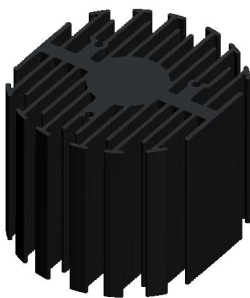
Http://www.heatsinkled.com

Http://www.mingfatech.com

eLED

eLED-XIT-7050 Pin Fin LED Heat Sink Φ 70mm for Xicato

The thermal data table

	 <i>eLED-7050</i>
Model No.	eLED-XIT-7050
Size	Φ70xH50mm
Material	AL6063-T5
Finish	Black Anodized
Weight(g)	206.0
Thermal Wattage	22.9W
HeatsinkΘs-a²	73369
Thermal Resistance ($^{\circ}$C/W)²	2.18

Dissipated Power Pd(W)	Heat sink to ambient thermal resistance Rhs-amb ($^{\circ}$ C/W)	
	eLED-XIT-7050	
5	3.40	17
10	2.80	28
15	2.70	37
20	2.25	45
25	2.16	54

