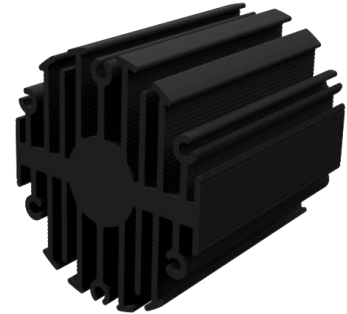


## eLED

### eLED-OSR-4650 Osram Modular Passive Star LED Heat Sink $\Phi$ 46mm

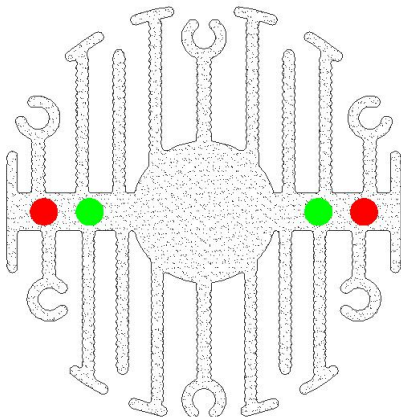
#### Features VS Benefits

- \* The eLED-OSR-4650 Osram Modular Passive Star LED Heat Sinks are specifically designed for luminaires using the Osram LED engines.
- \* Mechanical compatibility with direct mounting of the LED engines to the LED cooler and thermal performance matching the lumen packages.
- \* For spotlight and downlight designs from 450 to 1200 lumen.
- \* Thermal resistance range  $R_{th}$  5.0°C/W.
- \* Modular design with mounting holes foreseen for direct mounting of Osram SOLERIQ P6, SOLERIQ S13 and PrevaLED Core LED engines.
- \* Diameter 46.5mm - standard height 50mm Other heights on request.
- \* Extruded from highly conductive aluminum.



#### Zhaga LED engine and radiator assembly is a unified future international standardization

- \* Below you find an overview of Osram COB's and LED modules which standard fit on the eLED Star LED Heat Sinks.
- \* In this way mechanical after work and related costs can be avoided, and lighting designers can standardize their designs on a limited number of Star LED Heat Sinks.



#### Osram LED Modules Mounting Options

For the Osram PrevaLED Core Z3 LED modules.

PL-CORE -1100-830-Z3;  
PL-CORE -1100-840-Z3;

Zhaga Book3 Red indicator marks:

Direct mounting with machine screws M3x8mm;

For the Osram SOLERIQ P6 modules.

GW MAEGB1.EM-QPQS-27S3;  
GW MAEGB1.EM-QQQT-30S3;  
GW MAEGB1.EM-QQQT-35S3;  
GW MAEGB1.EM-QRQU-40S3;  
GW MAEGB1.EM-QRQU-40S3;

GW MAEGB1.CM-PTQQ-27S3;  
GW MAEGB1.CM-PUQR-30S3;  
GW MAEGB1.CM-PUQR-35S3;  
GW MAEGB1.CM-QPQS-40S3;

Zhaga Book11 Green indicator marks:

BJB holder:47.319.6190.50; AAG.STUCCHI holder:8500-G2;

Direct mounting with machine screws M3x8mm;

For the Osram SOLERIQ S13 modules.

GW KAGHB1.EM-RRRU-27H3;  
GW KAGHB1.EM-RSRU-30H3;  
GW KAGHB1.EM-RSRU-35H3;  
GW KAGHB1.EM-RTSP-40H3;  
GW KAGHB1.EM-RTSP-50H3;  
GW KAGHB1.EM-RTSP-57H3;  
GW KAGHB1.EM-RTSP-65H3;

GW KAGHB1.CM-RQRT-27H3;  
GW KAGHB1.CM-RRRT-30H3;  
GW KAGHB1.CM-RSRU-40H3;

Zhaga Book11 Green indicator marks:

BJB holder:47.319.6111.50;

Direct mounting with machine screws M3x8mm;

eLED

eLED-OSR-4650 Osram Modular Passive Star LED Heat Sink  $\Phi$ 46mm

Mounting Options and Drawings & Dimensions

Example: eLED-OSR-4650-B-1

Example: eLED-OSR-4650-**1**-**2**-**3**

- 1** Height (mm)
- 2** Anodising Color  
B-Black  
C-Clear  
Z-Custom
- 3** Mounting Options - see graphics for details Combinations available  
Ex.order code - 12  
means option 1 and 2 combined

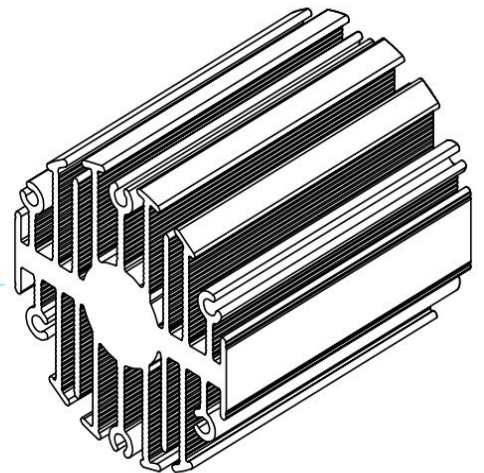
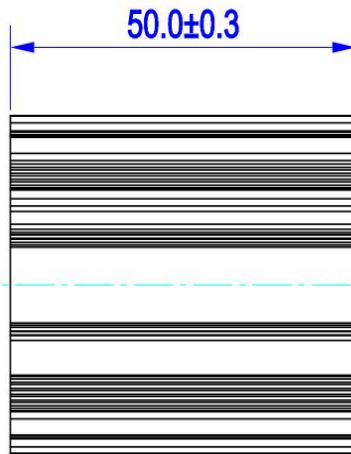
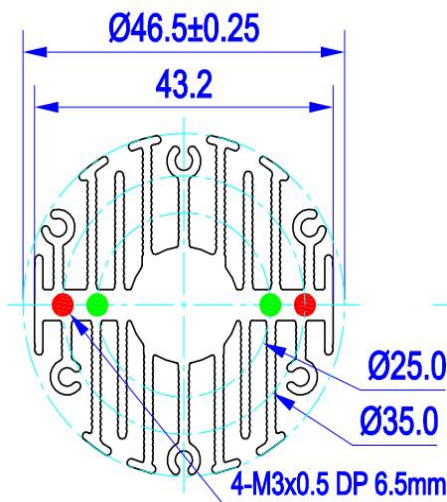


STUCCHI  
ideas are made of light

Notes:

- Mentioned models are an extraction of full product range.
- For specific mechanical adaptations please contact MingfaTech.
- 
- MingfaTech reserves the right to change products or specifications without prior notice.

| MOUNTING OPTION | Module type   | Holder NO.            | THREAD | THREAD DEPTH | THREAD HOLE DISTANCE |
|-----------------|---------------|-----------------------|--------|--------------|----------------------|
| 1               | SOLERIQ P6    | AAG.STUCCHI (8500-G2) | M3     | 6.5mm        | 25.0mm/ 2-@180°      |
|                 |               | BJB (47.319.6190.50)  |        |              |                      |
|                 | SOLERIQ S13   | BJB (47.319.6111.50)  |        |              |                      |
| 2               | PrevaLED Core | /                     | M3     | 6.5mm        | 35.0mm/ 2-@180°      |



*eLED*

eLED-OSR-4650 Osram Modular Passive Star LED Heat Sink  $\Phi$ 46mm

The thermal data table

|   |  |
|---|--|
|   |  |
|   | <i>eLED-4650</i>   |
| <b>Model No.</b>                                | <b>eLED-OSR-4650</b>   |
| <b>Size</b>                                     | <b><math>\Phi</math>46.5xH50mm</b>   |
| <b>Material</b>                                 | <b>AL6063-T5</b>   |
| <b>Finish</b>                                   | <b>Black Anodized</b>  |
| <b>Weight(gr)</b>                               | <b>101</b>   |
| <b>Thermal Wattage</b>                          | <b>10.0W</b>   |
| <b>HeatsinkOs-a<sup>2</sup></b>                 | <b>41280</b>   |
| <b>Heat Sink T<sub>Rise</sub> Above Ambient</b> | <b>5.0</b>   |

| Dissipated Power Pd(W) | Pd =<br>Pe x (1-ηL) | Heat sink to ambient<br>thermal resistance<br>Rhs-amb (°C/W) | Heat sink<br>toambienttemperature<br>riseThs-amb (°C) |
|------------------------|---------------------|--|---|
|                        |                     | eLED-OSR-4650  |   |
| 3                      |                     | 5.67   | 17  |
| 6                      |                     | 5.50   | 33  |
| 9                      |                     | 5.22   | 47  |
| 12                     |                     | 4.83   | 58  |
| 15                     |                     | 4.33   | 65  |

