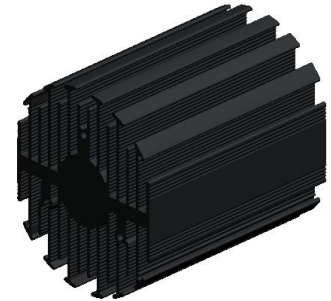


eLED

eLED-LUN-7080 Luminus Modular Passive Star LED Heat Sink  $\Phi$ 70mm

Features VS Benefits

- \* The eLED-LUN-7080 Luminus Modular Passive LED Heat Sinks are specifically designed for luminaires using the Luminus LED engines.
- \* Mechanical compatibility with direct mounting of the LED engines to the LED cooler and thermal performance matching the lumen packages.
- \* For spotlight and downlight designs from 1200 to 3300 lumen.
- \* Thermal resistance range Rth 1.77°C/W.
- \* Modular design with mounting holes foreseen for direct mounting of Luminus COB LED engines.
- \* Diameter 70mm - standard height 80mm Other heights on request.
- \* Extruded from highly conductive aluminum.



Zhaga LED engine and radiator assembly is a unified future international standardization

- \* Below you find an overview of Luminus COB's and LED modules which standard fit on the Star LED Heat Sinks.
- \* In this way mechanical after work and related costs can be avoided, and lighting designers can standardize their designs on a limited number of Star LED Heat Sinks.



Luminus LED engines Mounting Options

CHM-9 COB Arrays LED Modules names:

- CHM-9-27-XX-36-AC00-XX-X;
- CHM-9-30-XX-36-AC00-XX-X;
- CHM-9-35-XX-36-AC00-XX-X;
- CHM-9-40-XX-36-AC00-XX-X;
- CHM-9-50-XX-36-AC00-XX-X;
- CHM-9-65-XX-36-AC00-XX-X;

With Zhaga Book 11 for green indicator marks:

BJB Holder:47.319.6060.50;

AAG.STUCCHI holder:8100-G2;

Mounting with machine screws M3x8mm;

Without LED holders for pink indicator marks.

Direct mounting with machine screws M3x8mm;

CXM-14 COB Arrays LED Modules names:

- CXM-14-27-XX-36-AC00-XX-X;
- CXM-14-30-XX-36-AC00-XX-X;
- CXM-14-35-XX-36-AC00-XX-X;
- CXM-14-40-XX-36-AC00-XX-X;
- CXM-14-50-XX-36-AC00-XX-X;
- CXM-14-65-XX-36-AC00-XX-X;

CHM-14 COB Arrays LED Modules names:

- CHM-14-27-XX-36-AC00-XX-X;
- CHM-14-30-XX-36-AC00-XX-X;
- CHM-14-35-XX-36-AC00-XX-X;
- CHM-14-40-XX-36-AC00-XX-X;
- CHM-14-50-XX-36-AC00-XX-X;
- CHM-14-65-XX-36-AC00-XX-X;

With Zhaga Book 3 for red indicator marks:

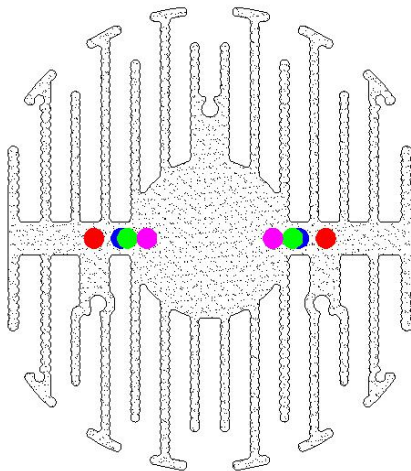
BJB Holder:47.319.2021.50;

AAG.STUCCHI holder:8101-G2;

Mounting with machine screws M3x8mm;

Without LED holders for blue indicator marks.

Direct mounting with machine screws M3x8mm;



eLED

eLED-LUN-7080 Luminus Modular Passive Star LED Heat Sink  $\Phi$ 70mm

Mounting Options and Drawings & Dimensions

Example:eLED-LUN-7080-B-3

Example:eLED-LUN-70 **1** - **2** - **3**

- 1** Height (mm)
- 2** Anodising Color  
B-Black  
C-Clear  
Z-Custom
- 3** Mounting options;  
On request;  
Mounting holes, cable holes;  
Screw thread, thermal interface pad.



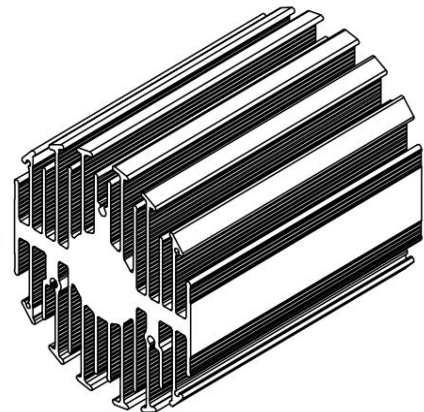
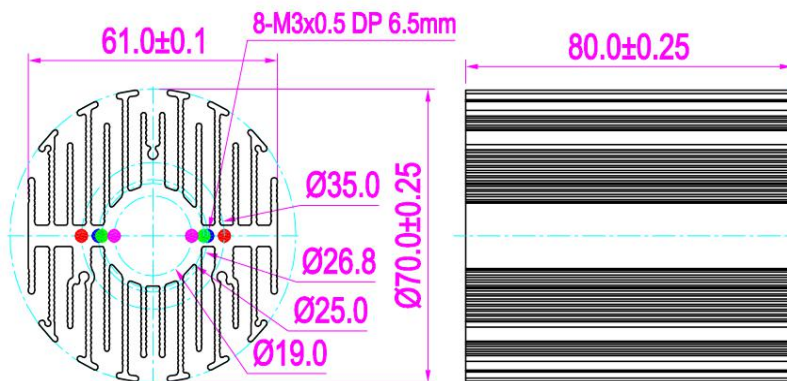
Notes:

- Mentioned models are an extraction of full product range.
- For specific mechanical adaptations please contact MingfaTech.

MingfaTech reserves the right to change products or specifications without prior notice.

Note : option 1 and option 2,option 2 and option 3 can not be combined

MOUNTING OPTION	Module type	Holder NO.	THREAD	THREAD DEPTH	THREAD HOLE DISTANCE
1		/	M3	6.5mm	19.0mm/ 2-@180°
2	CLM-9 CXM-9 CHM-9	AAG.STUCCHI 8100-G2	M3	6.5mm	25.0mm/ 2-@180°
		BJB 47.313.6060.50			
3		/	M3	6.5mm	26.8mm/ 2-@180°
4	CXM-14 CHM-14	AAG.STUCCHI 8101-G2	M3	6.5mm	35.0mm/ 2-@180°
		BJB 47.313.2021.50			



eLED

eLED-LUN-7080 Luminus Modular Passive Star LED Heat Sink  $\Phi$ 70mm

The thermal data table

	 <i>eLED-7080</i>
<b>Model No.</b>	<b>eLED-LUN-7080</b>
<b>Size</b>	<b><math>\Phi</math>70xH80mm</b>
<b>Material</b>	<b>AL6063-T5</b>
<b>Finish</b>	<b>Black Anodized</b>
<b>Weight(g)</b>	<b>329.0</b>
<b>Thermal Wattage</b>	<b>28.2W</b>
<b>HeatsinkOs-a<sup>2</sup></b>	<b>115563</b>
<b>Heat Sink T Rise Above Ambient</b>	<b>1.77</b>

Dissipated Power Pd(W)	Pd = Pe x (1-ηL)	Heat sink to ambient thermal resistance Rhs-amb (°C/W)	Heat sink to ambient temperature rise T <sub>hs-amb</sub> (°C)
		eLED-LUN-7080	
6		2.5	15
12		2.2	26
18		1.9	34
24		1.8	43
30		1.7	51

