



for

LED

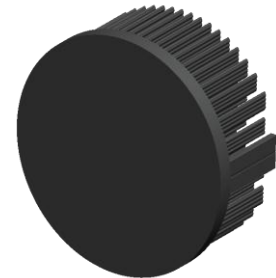


xLED

**xLED-SHA-7030 Pin Fin LED Heat Sink  $\Phi$ 70mm for Sharp**

**Features VS Benefits**

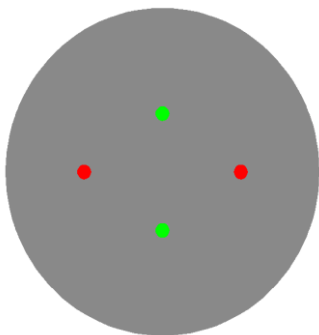
- \* The xLED-SHA-7030 Sharp Pin Fin LED Heat Sinks are specifically designed for luminaires using the Sharp LED engines.
- \* Mechanical compatibility with direct mounting of the LED engines to the LED cooler and thermal performance matching the lumen packages.
- \* For spotlight and downlight designs from 700 to 1800 lumen.
- \* Thermal resistance range Rth 3.3°C/W.
- \* Modular design with mounting holes foreseen for direct mounting of SHARP Mini Zenigata and Mega Zenigata LED engines.
- \* Diameter 70mm - standard height 30mm Other heights on request.
- \* Forged from highly conductive aluminum.



**Zhaga LED engine and radiator assembly is a unified future international standardization**

- \* Below you find an overview of Sharp engines COB's and LED modules which standard fit on the xLED Pin Fin LED Heat Sinks.
- \* In this way mechanical after work and related costs can be avoided, and lighting designers can standardize their designs on a limited number of LED Pin Fin LED Heat Sink.

**SHARP**



**Sharp LED Modules Mounting indicator marks overview**

**Mini Mega Zenigata Modules names:**

- |              |              |
|--------------|--------------|
| GW6BME27HED; | GW6BGG27HED; |
| GW6BME30HED; | GW6BGG30HED; |
| GW6BME40HED; | GW6BGG40HED; |
| GW6BME50HED; | GW6BGG50HED; |
| GW6BMR27HED; | GW6BGR27HED; |
| GW6BMR30HED; | GW6BGR30HED; |
| GW6BMR40HED; | GW6BGR40HED; |
| GW6BMR50HED; | GW6BGR50HED; |
| GW6BMS27HED; | GW6BGS27HED; |
| GW6BMS30HED; | GW6BGS30HED; |
| GW6BMS40HED; | GW6BGS40HED; |
| GW6BMS50HED; | GW6BGS50HED; |

**Zhaga Book11 Holders:**

**BJB holder:47.319.6180.50; A.A.G Stucchi holder:8300/G2**  
**Mounting with machine screws M3x6mm;**  
**Green indicator marks**

**Mega Zenigata LED modules names:**

- |              |              |
|--------------|--------------|
| GW6DGA27XFC; | GW6DMA27XFC; |
| GW6DGA30XFC; | GW6DMA30XFC; |
| GW6DGA40XFC; | GW6DMA40XFC; |
| GW6DGA50XFC; | GW6DMA50XFC; |

**Zhaga Book3 Holders:**

**TE Connectivity:2213130-2;**  
**BJB holder:47.319.2011.50;**  
**A.A.G Stucchi holder:8301/G2**  
**Mounting with machine screws M3x6mm;**  
**Red indicator marks**

*xLED*

**xLED-SHA-7030 Pin Fin LED Heat Sink  $\Phi$ 70mm for Sharp**

## Mounting Options and Drawings & Dimensions

Example: xLED-SHA-7030-B-3

Example: xLED-SHA-70 **1** - **2** - **3**

**1** Height (mm)

**2** Anodising Color

B-Black

C-Clear

Z-Custom

**3** Mounting Options - see graphics for details Combinations available

Ex.order code - 12

means option 1 and 2 combined

### Notes:

- Mentioned models are an extraction of full product range.
- For specific mechanical adaptations please contact MingfaTech.
- MingfaTech reserves the right to change products or specifications without prior notice.

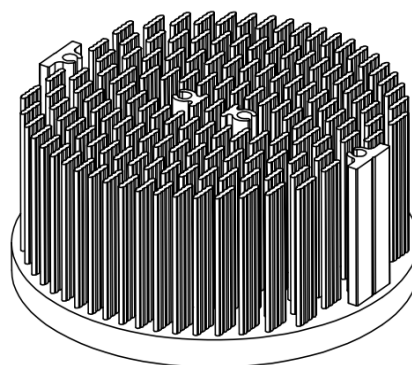
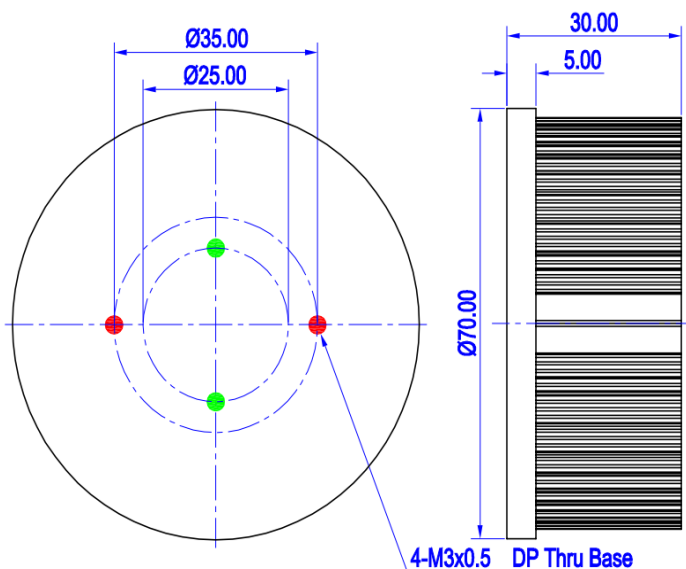
# SHARP



**STUCCHI**  
ideas are made of light



MOUNTING OPTION	Module type	Holder NO.	THREAD	THREAD DEPTH	THREAD HOLE DISTANCE
1	Mini ZENIGATA	BJB (47.319.6180.50)	M3	6mm	25.0mm/ @180°
		A.A.G Stucchi (8300/G2)			
2	Mega ZENIGATA	BJB (47.319.2011.50)	M3	6mm	35.0mm/ @180°
		Type (2213130-2)			
		A.A.G Stucchi (8301/G2)			



*xLED*

**xLED-SHA-7030 Pin Fin LED Heat Sink  $\Phi$ 70mm for Sharp**

The thermal data table

	
	<i>xLED-7030</i>
<b>Model No.</b>	<b>xLED-SHA-7030</b>
<b>Size</b>	<b><math>\Phi</math>70xH30mm</b>
<b>Material</b>	<b>AL1070</b>
<b>Finish</b>	<b>Black Anodized</b>
<b>Weight(gr)</b>	<b>106</b>
<b>Thermal Wattage</b>	<b>15.0W</b>
<b>HeatsinkOs-a<sup>2</sup></b>	<b>54786</b>
<b>Heat Sink T Rise Above Ambient</b>	<b>3.3</b>

Dissipated Power Pd(W)	Pd = Pe x (1- $\eta$ L)	Heat sink to ambient thermal resistance Rhs-amb (°C/W)	Heat sink to ambient temperature rise Ths-amb (°C)
		xLED-SHA-7030	
4.0		4.5	18.0
8.0		3.6	29.0
12.0		3.4	41.0
16.0		3.2	51.0
20.0		3.0	59.0

