



for

LED



SimpoleD

SimpoleD-PRO-160150 for Prolight Modular Passive LED Cooler Φ 160mm

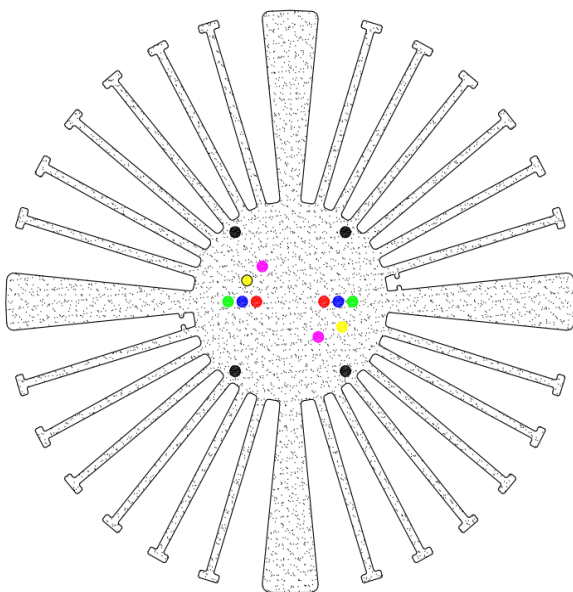
Features VS Benefits

- * The SimpoleD-PRO-160150 Prolight Modular Passive LED Coolers are specifically designed for luminaires using the Prolight LED engines.
- * Mechanical compatibility with direct mounting of the LED engines to the LED cooler and thermal performance matching the lumen packages.
- * For spotlight and downlight designs from 3,600 to 1,5600 lumen.
- * Thermal resistance range Rth 0.42°C/W.
- * Modular design with mounting holes foreseen for direct mounting of Prolight N SERIRS CI Series, CII SERIRS, CIII SERIRS BI SERIRS, BII SERIRS and BS SERIRS engines.
- * Diameter 160mm - standard height 150mm Other heights on request.
- * Extruded from highly conductive aluminum.



Prolight LED engine and radiator assembly directly Mounting Options

- * Below you find an overview of Prolight COB's which standard fit on the SimpoleD coolers.
- * In this way mechanical after work and related costs can be avoided, and lighting designers can standardize their designs on a limited number of LED coolers.



Prolight COB engines Mounting Options

COB CI Series Modules names:

- PACB-5xxx-xxxx ;
- PACB-7xxx-xxxx ;
- PACB-9xxx-xxxx ;

Pink indicator marks: Zhaga Book 11 BJB Holder:47.319.6060.50;
 Green indicator marks: Zhaga Book3 BJB Holder:47.319.2040.50
 Mounting with machine screws M3x8mm ;
 Red indicator marks ;
 Direct mounting machine screws M3x6mm ;

COB CII SERIRS Modules names:

- PACC-18xxx-xxxx ;

Blue indicator marks:
 Direct mounting with machine screws M3x6mm;

COB CIII SERIRS Module names:

- PACD-40xxx-xxxx ;

Blue indicator marks:
 Direct mounting with machine screws M3x6mm;

COB BI SERIRS Module names:

- PABA-10xxx-xxxx ;
- PABA-15xxx-xxxx ;
- PABA-22xxx-xxxx ;
- PABA-26xxx-xxxx ;
- PABA-35xxx-xxxx ;
- PABA-50xxx-xxxx ;

Green indicator marks: Zhaga Book3 BJB Holder:47.319.2040.50;
 Mounting with machine screws M3x8mm;
 Blue indicator marks:
 Direct mounting with machine screws M3x6mm;

COB BII SERIRS Modlue names:

- PABB-60xxx-xxxx ;
- PABB-100xxx-xxxx ;

Black indicator marks:
 Direct mounting with machine screws M3x6mm;

Tel: +86-769-39023131
 E-fax: +86-(020)28819702 ext:22122
 Email:sales@mingfatech.com
 Http://www.heatsinkled.com
 Http://www.mingfatech.com





SimpoleD

SimpoleD-PRO-160150 for Prolight Modular Passive LED Cooler Φ 160mm

Mounting Options and Drawings & Dimensions

Example: SimpoleD-PRO-160150-B-3

Example: SimpoleD-PRO-160 **1** - **2** - **3**

1 Height (mm)

2 Anodising Color

B-Black

C-Clear

Z-Custom

3 Mounting Options - see graphics for details Combinations available

Ex.order code - 12

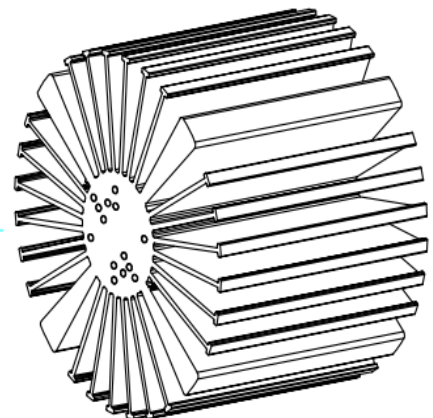
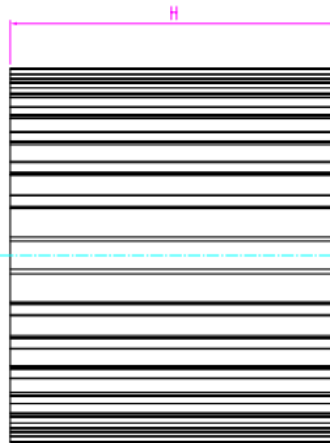
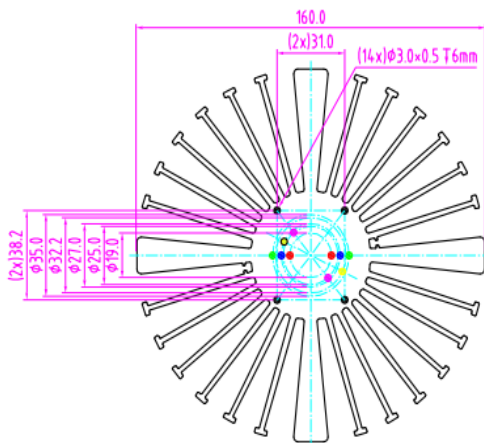
means option 1 and 2 combined



Notes:

- Mentioned models are an extraction of full product range.
- For specific mechanical adaptations please contact MingfaTech.
- MingfaTech reserves the right to change products or specifications without prior notice.

MOUNTING OPTION	Module type	Holder NO.	THREAD	THREAD DEPTH	THREAD HOLE DISTANCE
1	COB CI Series COB BS SERIRS	/	M3	6mm	19mm/ 2-@180°
2	COB CI Series	BJB:47.319.6060.50;	M3	6mm	25mm/ 2-@180° Zhaga Book 11
3	COB N SERIRS COB BI SERIRS COB CII SERIRS	/	M3	6mm	27mm/ 2-@180°
4	COB CIII SERIRS	/	M3	6mm	32.2mm/ 2-@180°
5	COB CI Series COB BI SERIRS	BJB:47.319.2040.50;	M3	6mm	35mm/ 2-@180° Zhaga Book3
6	COB BII SERIRS	/	M3	6mm	(2x)31mm* (2x)38.2mm



Tel: +86-769-39023131
 E-fax: +86-(020)28819702 ext:22122
 Email:sales@mingfatech.com
 Http://www.heatsinkled.com
 Http://www.mingfatech.com





for

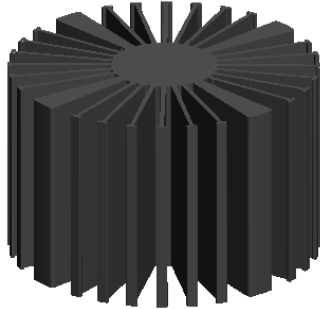
LED



SimpoleD

SimpoleD-PRO-160150 for Prolight Modular Passive LED Cooler Φ 160mm

The thermal data table

	 <i>SimpoleD-160150</i>
Model No.	SimpoleD-PRO-160150
Size	Φ160xH150mm
Material	AL6063-T5
Finish	Black Anodized
Weight(gr)	3155.0
Thermal Wattage	120W
HeatsinkΘs-a²	506323
Heat Sink T Rise Above Ambient	0.42

Dissipated Power Pd(W)	Pd = Pe x (1- η L)	
	Heat sink to ambient thermal resistance Rhs-amb (°C/W)	Heat sink to ambient temperature rise Ths-amb (°C)
	SimpoleD-PRO-160150	SimpoleD-PRO-160150
25.0	0.56	14.0
45.0	0.53	24.0
60.0	0.50	30.0
75.0	0.47	35.0
90.0	0.44	40.0
100.0	0.43	43.0
120.0	0.42	50.0

