



Mingfa TECH for LED

BuLED

BuLED-68Fx LED light accessory to replace MR16 fittings by Xicato XTM

Features VS Benefits

- * BuLED-68Fx LED light accessory includes one LED cooler and one LED housing to be assembled with Xicato XTM LED modules to replace MR16.
- * Mechanical compatibility with direct mounting of the LED modules to the LED cooler and thermal performance matching the lumen packages.
- * Thermal resistance range Rth 3.8°C/W.
- * Xicato Thermal Class E , (60° tilt angle, 40°C ambient) .
- * The cooler design with mounting holes foreseen for direct mounting of Xicato XTM Module .
- * Heatsink Diameter 48mm - Standard height 68mm , Other heights on request.
- * Housing Diameter 50mm - Standard height 50mm , Other heights on request.
- * Forged from highly conductive aluminum.



*BuLED-68Fx LED light accessory Xicato Pin Fin Heat Sink is standard foreseen from a variety of mounting holes which allow direct mounting of all Xicato XTM LED modules and secondary optics on the Pin FinLED heat sink.

*In this way mechanical afterwork and related costs can be avoided, and lighting designers can standardize their designs on a limited number of LED coolers.

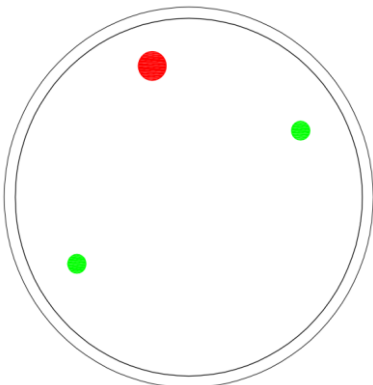
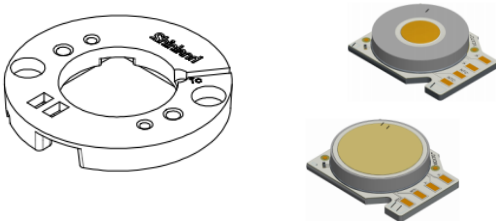
*Below you find an overview of Xicato LED modules which standard fit on the BuLED-68Fx LED light accessory .

*MingFa performs thermal validation tests on each of the LED modules mounted on the LED cooler and publishes.

*This data in the Xicato Cooler thermal validation reports.

*For a full overview of available LED coolers for Xicato LEDs, please refer to the Xicato LED cooler overview on.

XICATO



BuLED-68Fx LED light accessory, The Heatsink standard height 50mm for Xicato LED modules Mounting Options

Xicato XTM LED modules:

- | | | |
|------------------|------------------|------------------|
| XTM19-8027-xxx ; | XTM19-8040-xxx ; | XTM0995 xxxxxx ; |
| XTM19-8030-xxx ; | XTM19-V830-xxx ; | |
| XTM19-8035-xxx ; | XTM09-V9xxxxxx ; | |

Direct mounting by Zhaga mounting holes with 2 screws M3 x 8mm; with Shinland Zhaga holder. Green indicator marks.

BuLED

BuLED-68Fx LED light accessory to replace MR16 fittings by Xicato XTM

Mounting Options and Drawings & Dimensions

Example: BuLED-68Fx-M3-B-2

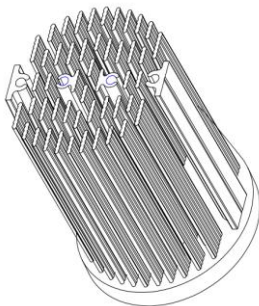
Example: BuLED-68Fx-M3-**1**-**2**

- 1** Anodising Color
B-Black
C-Clear
Z-Custom

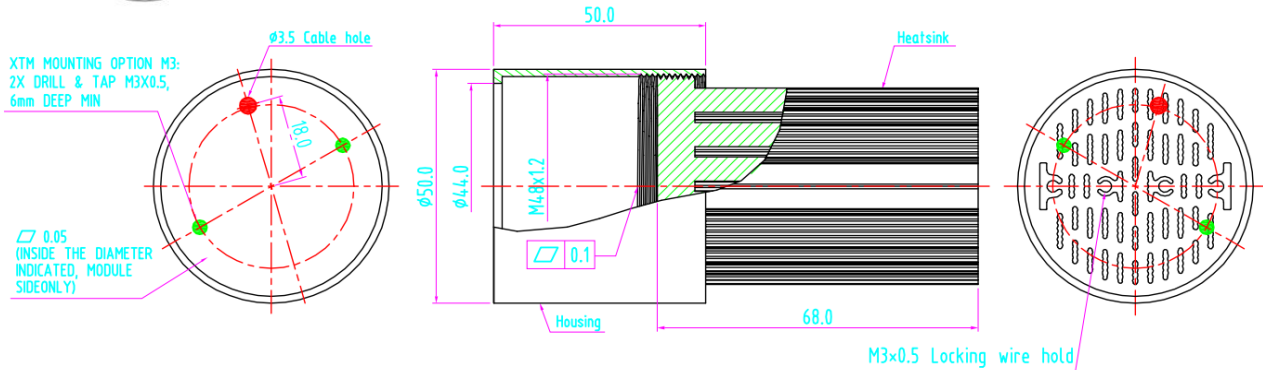
- 2** Mounting Options - see graphics for details Combinations available
Ex.order code - 12
means option 1 and 2 combined



MingFa recommends the use of a high Thermal conductive interface between the LED Module and the LED cooler. Either thermal grease, A thermal pad or a phase change thermal pad Thickness 0.1-0.15mm is recommended.



MOUNTING OPTION	PART NUMBER	THREAD	THREAD DEPTH
NONE	BuLED-68Fx -M3-#-N	NONE	NONE
1	BuLED-68Fx -M3-#-1	Φ3.5	Through-hole Cable hole
2	BuLED-68Fx -M3-#-2	M3*0.5	Locking wire hole



BuLED

BuLED-68Fx LED light accessory to replace MR16 fittings by Xicato XTM

The thermal data table

	 BuLED
Model No.	BuLED-50Fx
Heatsink Size	Φ48xH68mm
Housing Size	Φ50xH50mm
Material (Heatsink + Housing)	AL 1070+ 6063-T5
Finish	Black Anodized
Weight(g)	86.6
Thermal Wattage	13.0W
HeatsinkOs-a²	32078
Thermal Resistance	3.8

Dissipated Power Pd(W)	Pd = Pe x (1-ηL)	Heat sink to ambient thermal resistance Rhs-amb (°C/W)	Heat sink to ambient temperature rise Ths-amb (°C)
		BuLED-68Fx	
3.0		5.7	17.0
6.0		4.8	29.0
9.0		4.2	38.0
12.0		3.9	47.0
15.0		3.5	53.0

