

材料 Material	规格 Specification	厚度 Thickness	硬度 Hardness	长度 Length	单位 Unit
铝板 Aluminum plate	304	3mm	HB120	1500mm	块 Piece
密封胶 Sealant	硅酮	1.5mm	邵氏A	1500mm	条 Strip
塑料锚固 Plastic anchor-hold	Ø300	100mm		1500mm	个 Piece
钢筋 Steel bar	Ø100	100mm		1500mm	根 Rod

绘图 Drawing	审核 Check	批准 Approve	图号 Drawing No.
刘明辉 Liu Minghui	刘云雷 Liu Yunlei	刘云雷 Liu Yunlei	L05JT06

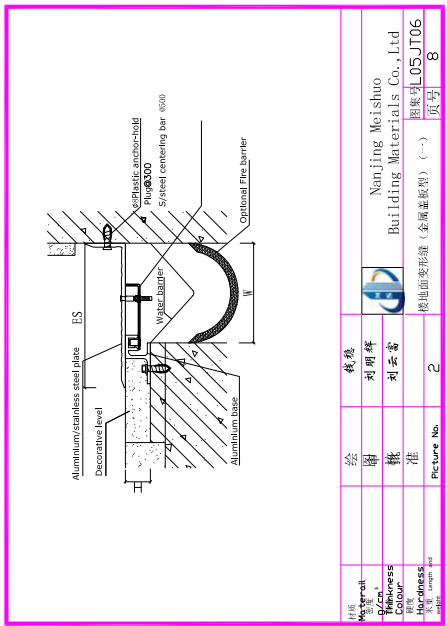
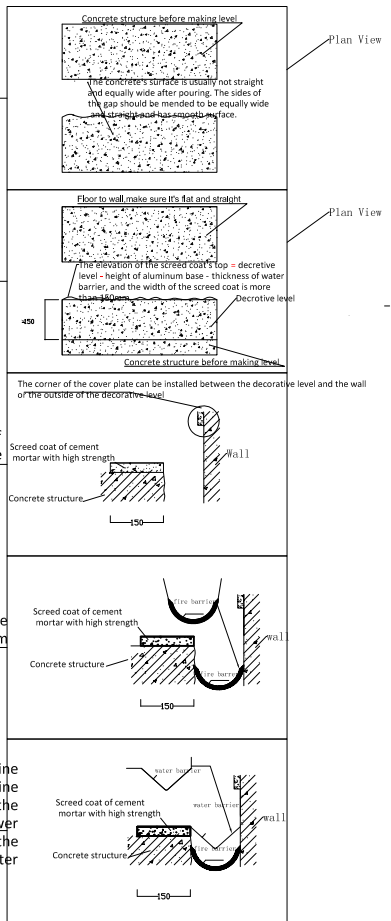
名称 Name	规格 Specification	厚度 Thickness	硬度 Hardness	长度 Length	单位 Unit
铝板 Aluminum plate	304	3mm	HB120	1500mm	块 Piece
密封胶 Sealant	硅酮	1.5mm	邵氏A	1500mm	条 Strip
塑料锚固 Plastic anchor-hold	Ø300	100mm		1500mm	个 Piece
钢筋 Steel bar	Ø100	100mm		1500mm	根 Rod

名称 Name	规格 Specification	厚度 Thickness	硬度 Hardness	长度 Length	单位 Unit
铝板 Aluminum plate	304	3mm	HB120	1500mm	块 Piece
密封胶 Sealant	硅酮	1.5mm	邵氏A	1500mm	条 Strip
塑料锚固 Plastic anchor-hold	Ø300	100mm		1500mm	个 Piece
钢筋 Steel bar	Ø100	100mm		1500mm	根 Rod

名称 Name	规格 Specification	厚度 Thickness	硬度 Hardness	长度 Length	单位 Unit
铝板 Aluminum plate	304	3mm	HB120	1500mm	块 Piece
密封胶 Sealant	硅酮	1.5mm	邵氏A	1500mm	条 Strip
塑料锚固 Plastic anchor-hold	Ø300	100mm		1500mm	个 Piece
钢筋 Steel bar	Ø100	100mm		1500mm	根 Rod

名称 Name	规格 Specification	厚度 Thickness	硬度 Hardness	长度 Length	单位 Unit
铝板 Aluminum plate	304	3mm	HB120	1500mm	块 Piece
密封胶 Sealant	硅酮	1.5mm	邵氏A	1500mm	条 Strip
塑料锚固 Plastic anchor-hold	Ø300	100mm		1500mm	个 Piece
钢筋 Steel bar	Ø100	100mm		1500mm	根 Rod

1. Clean the garbage and check if the gap is equally wide and straight.
2. Make level
3. Make level with high strength of cement mortar. The width is more than 150mm.
4. Install the fire barrier. Then Snap the ink line on the screed coat to confirm the sidelines of the aluminum base.
5. Install the water barrier. The side line of water barrier can't cover the ink line snapped. (Brush the special glue on the surface of the screed coat and the lower surface of the water barrier. After the glue is almost air drying, put the water barrier on the screed coat.)



材料 Material	规格 Specification	厚度 Thickness	硬度 Hardness	长度 Length	单位 Unit
铝板 Aluminum plate	304	3mm	HB120	1500mm	块 Piece
密封胶 Sealant	硅酮	1.5mm	邵氏A	1500mm	条 Strip
塑料锚固 Plastic anchor-hold	Ø300	100mm		1500mm	个 Piece
钢筋 Steel bar	Ø100	100mm		1500mm	根 Rod

绘图 Drawing	审核 Check	批准 Approve	图号 Drawing No.
刘明辉 Liu Minghui	刘云雷 Liu Yunlei	刘云雷 Liu Yunlei	L05JT06

名称 Name	规格 Specification	厚度 Thickness	硬度 Hardness	长度 Length	单位 Unit
铝板 Aluminum plate	304	3mm	HB120	1500mm	块 Piece
密封胶 Sealant	硅酮	1.5mm	邵氏A	1500mm	条 Strip
塑料锚固 Plastic anchor-hold	Ø300	100mm		1500mm	个 Piece
钢筋 Steel bar	Ø100	100mm		1500mm	根 Rod

6. Install the aluminum base.
7. Nail the scree to make sure the base in on a straight line. Or when the centering bar bolt is screwed down, the aluminum plate must be mismatched.
8. Make the Decorative level to make sure it has the same elevation with the aluminum base. And fill with sealant to make sure the aluminum base and decorative level to connect tightly and won't leak.
9. Install the centering bar and lean it as 45° with the aluminum base. According to the screw hole of the aluminum palte, confirm the location of the centering bar screw. Sign on the decorative level, place the centering bar as the sign and place the plate. Fix the screw from one side to another side. In this process, to fix the screw easier the worker can lift the centering bar with one hand. When the cover plate corner is not fixed on the wall tightly, the screw shouldn't be twisted too hard.
10. Fix the corner plate on the wall.
11. Tighten the screw arbor on the plate. Installation finish.

