



for

LED



HibayLED

HibayLED-BRI-230126

Modular vacuum phase-transition LED Heat Sink (Passive)  $\Phi$ 230mm

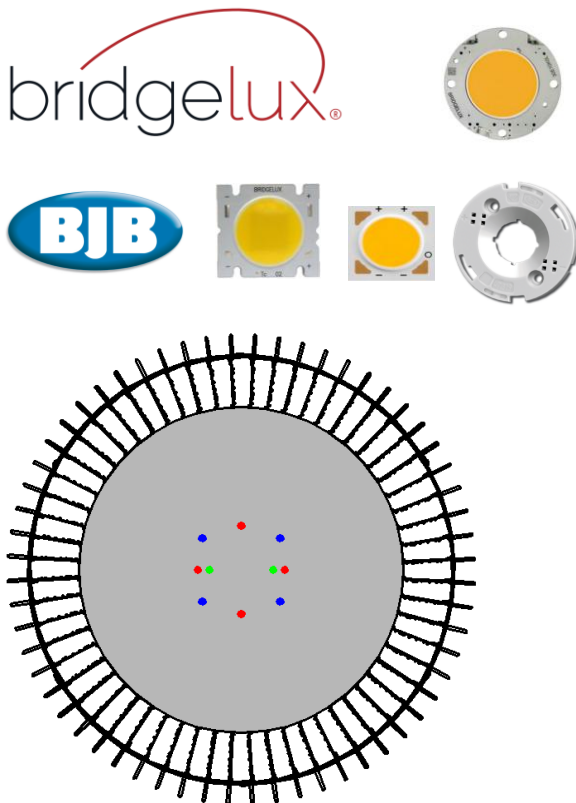
### Features VS Benefits

- \* The HibayLED-BRI-230126 Bridgelux Modular vacuum phase-transition LED Heat Sinks (Passive) are specifically designed for luminaires using the Bridgelux LED engines.
- \* Mechanical compatibility with direct mounting of the LED engines to the LED cooler and thermal performance matching the lumen packages.
- \* For Highbay designs from 10000 to 18000 lumen.
- \* Thermal resistance range  $R_{th}$  0.34°C/W.
- \* Modular design with mounting holes foreseen for direct mounting of Bridelux Vero18, Vero 29 Array and RS Array Series LED engines.
- \* Diameter 230mm - standard height 126mm Other heights on request.



### Unique Advantages

- \* Integration of heat super conduction and heat dissipation.Reduce heat conduct resistance of heatsink to ZERO;
- \* Low heat conduct temperaure difference, equivalent heatconductive ability 20 times better than copper;
- \* More than 30% reduce of volume and weight than normal heatsinks;
- \* Compared to normal extrusion heatsinks,Mingfa Tech's our vacuum phase-transition heatsinks can adapt higher power for the same size;
- \* Compared to normal extrusion heatsinks,Mingfa Tech's vacuum phase-transition LED heatsinks are much smaller volume and lighter weight for the same power;
- \* All aluminium,cost effective;



### Bridgelux LED Modules directly Mounting Options

#### Vero 18 Array Series LED engines:

- BXRC-xxE4000-F-xx ;
- BXRC-xxG4000-F-xx ;
- BXRC-xxF4000-F-04 ;

Direct mounting with machine screws M3x6mm;  
Gree indicator marks.

#### Vero 29 Array Series LED engines:

- |                     |                    |
|---------------------|--------------------|
| BXRC-27E10K0-L-xx ; | BXRC-40E10K0-L-xx; |
| BXRC-27G10K0-L-xx ; | BXRC-40G10K0-L-03; |
| BXRC-30E10K0-L-xx ; | BXRC-50C10K0-L-04; |
| BXRC-30G10K0-L-xx ; | BXRC-50E10K0-L-04; |
| BXRC-35E10K0-L-xx ; | BXRC-50F10K0-L-04; |

Direct mounting with machine screws M3x6mm;  
Red indicator marks.

#### RS Array Series LED engines

- |                   |                     |
|-------------------|---------------------|
| BXRA-27E7000-J-03 | BXRA-35E7000-J-03   |
| BXRA-27G7000-J-03 | BXRA-40E7500-J-03   |
| BXRA-30E7000-J-03 | BXRA-50C9000-J-xx;  |
| BXRA-30G7000-J-03 | BXRA-56C9000-J-xx ; |

Direct mounting with machine screws M3x8mm;  
Blue indicator marks.

HibayLED

HibayLED-BRI-230126

Modular vacuum phase-transition LED Heat Sink (Passive)  $\Phi$ 230mm

Mounting Options and Drawings & Dimensions

Example:HibayLED-BRI-230126-B-1,2

Example:HibayLED-BRI-230126 **1** - **2**

**1** Anodising Color

B-Black

C-Clear

Z-Custom

**2** Mounting Options - see graphics for details Combinations available

Ex.order code - 12

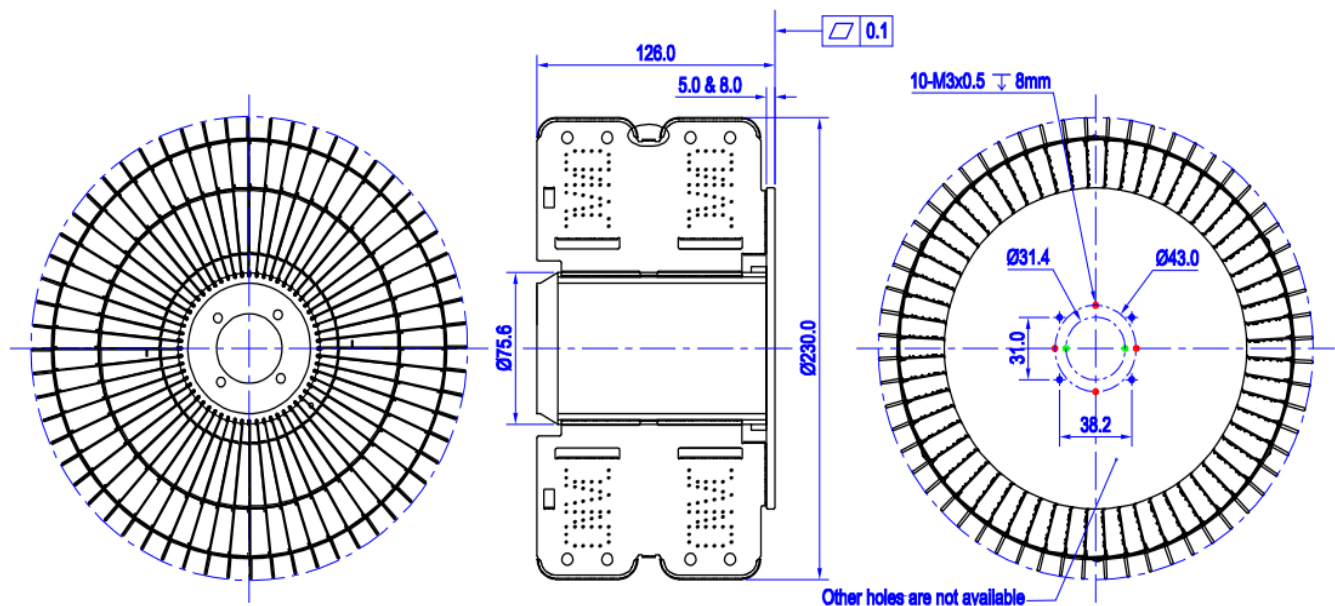
means option 1 and 2 combined

Notes:

- Mentioned models are an extraction of full product range.
- For specific mechanical adaptations please contact MingfaTech.
- MingfaTech reserves the right to change products or specifications without prior notice.



MOUNTING OPTION	Module type	Holder NO.	THREAD	THREAD DEPTH	THREAD HOLE DISTANCE
1	Vero-18	/	M3	6mm	31.4mm/ 2-@180°
2	Vero-29	/	M3	6mm	43mm/ 4-@90°
3	RS Array	/	M3	6mm	(31.0mmx38.3mm)x2




*HibayLED*

HibayLED-BRI-230126

Modular vacuum phase-transition LED Heat Sink (Passive)  $\Phi$ 230mm

The thermal data table

 <i>HibayLED</i>	
<b>Model No.</b>	HibayLED-BRI-230126
<b>Size</b>	$\Phi$ 230xH126mm
<b>Material</b>	AL1070
<b>Finish</b>	Clear Anodized
<b>Weight(gr)</b>	1590.0
<b>Thermal Wattage</b>	150.0W
<b>Heatsink<math>\Theta</math>s-a<sup>2</sup></b>	1361840
<b>Heat Sink T<sub>Rise Above Ambient</sub></b>	0.34

