



for

LED



HibayLED

HibayLED-SHA-230192

Sharp Modular vacuum phase-transition LED Heat Sink (Passive) Φ230mm

Features VS Benefits

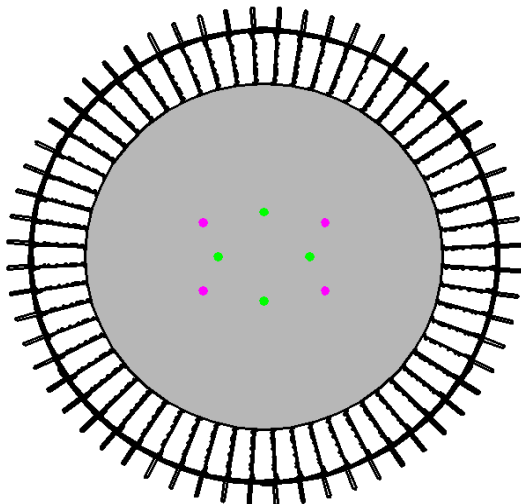
- * The HibayLED-SHA-230192 Sharp Modular vacuum phase-transition LED Heat Sinks (Passive) are specifically designed for luminaires using the Sharp LED engines.
- * Mechanical compatibility with direct mounting of the LED engines to the LED cooler and thermal performance matching the lumen packages.
- * For Highbay designs from 12000 to 25000 lumen.
- * Thermal resistance range Rth 0.25°C/W.
- * Modular design with mounting holes foreseen for direct mounting of Sharp Kaku Zenigata series and Giga Zenigata series LED engines.
- * Diameter 230mm - standard height 192mm Other heights on request.



Unique Advantages

- * Integration of heat super conduction and heat dissipation. Reduce heat conduct resistance of heatsink to ZERO;
- * Low heat conduct temperature difference, equivalent heatconductive ability 20 times better than copper;
- * More than 30% reduce of volume and weight than normal heatsinks;
- * Compared to normal extrusion heatsinks, Mingfa Tech's our vacuum phase-transition heatsinks can adapt higher power for the same size;
- * Compared to normal extrusion heatsinks, Mingfa Tech's vacuum phase-transition LED heatsinks are much smaller volume and lighter weight for the same power;
- * All aluminium, cost effective;

SHARP



Sharp LED engines Mounting Options

Kaku Zenigata Series Modules names:

- GW7PMS30RFC;
- GW7PMS42RFC;

Direct Mounting with 2 screws M3 x 8mm;
Gree indicator marks.

Giga Zenigata series series Modules Name :

- GW7GMP30FGC;
- GW7GMP40FGC;
- GW7GMP50FGC;

Direct Mounting with 2 screws M3 x 8mm;
Pink indicator marks.

HibayLED

HibayLED-SHA-230192

Sharp Modular vacuum phase-transition LED Heat Sink (Passive) Φ 230mm

Mounting Options and Drawings & Dimensions

Example:HibayLED-SHA-230192-B-1,2

Example:HibayLED-SHA-230192 **1** - **2**

- 1** Anodising Color
 - B-Black
 - C-Clear
 - Z-Custom

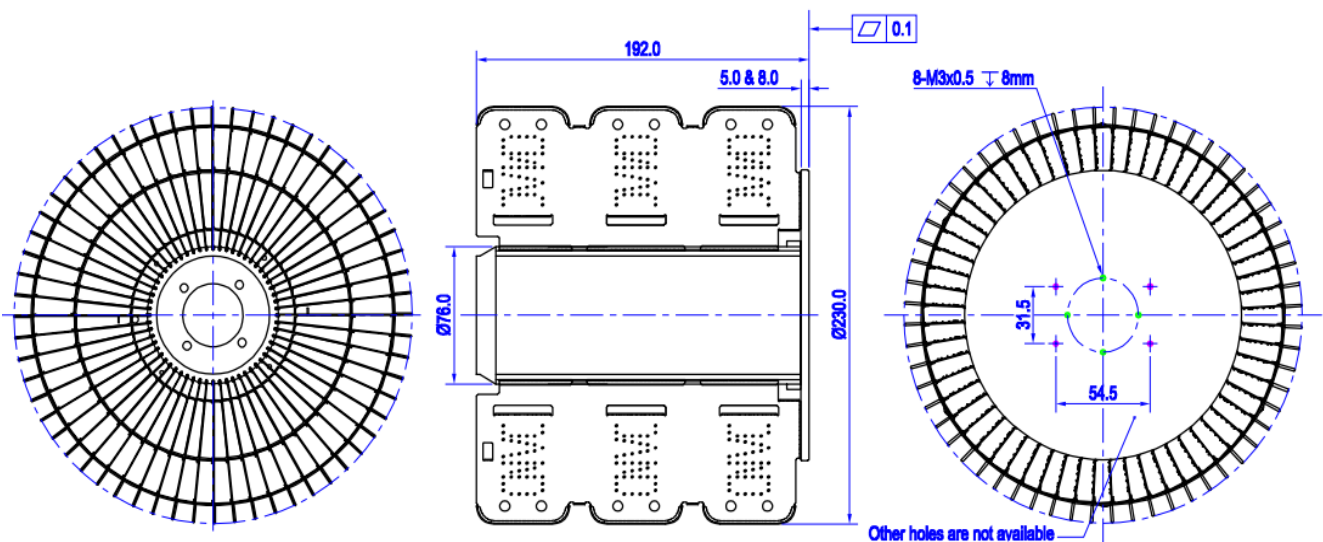
- 2** Mounting Options - see graphics for details Combinations available
 - Ex.order code - 12
 - means option 1 and 2 combined

Notes:

- Mentioned models are an extraction of full product range.
- For specific mechanical adaptations please contact MingfaTech.
- MingfaTech reserves the right to change products or specifications without prior notice.

SHARP

MOUNTING OPTION	Module type	Holder NO.	THREAD	THREAD DEPTH	THREAD HOLE DISTANCE
1	Kaku Zenigata	/	M3	8mm	(41.0mmx41.0mm)x2
2	Giga Zenigata	/	M3	8mm	(54.5.0mmx31.5mm)x2



for LED

HibayLED

HibayLED-SHA-230192

Sharp Modular vacuum phase-transition LED Heat Sink (Passive) $\Phi 230\text{mm}$

The thermal data table

	
	<i>HibayLED</i>
Model No.	HibayLED-SHA-230192
Size	$\Phi 230 \times H 192\text{mm}$
Material	AL1070
Finish	Clear Anodized
Weight(gr)	2290.0
Thermal Wattage	200.0W
HeatsinkΘ_s-a²	2053780
Heat Sink T_{Rise} Above Ambient	0.25

