



for

LED



SimpoleD

SimpoleD-CIT-160100 for Citizen Modular Passive LED Cooler Φ 160mm

Features VS Benefits

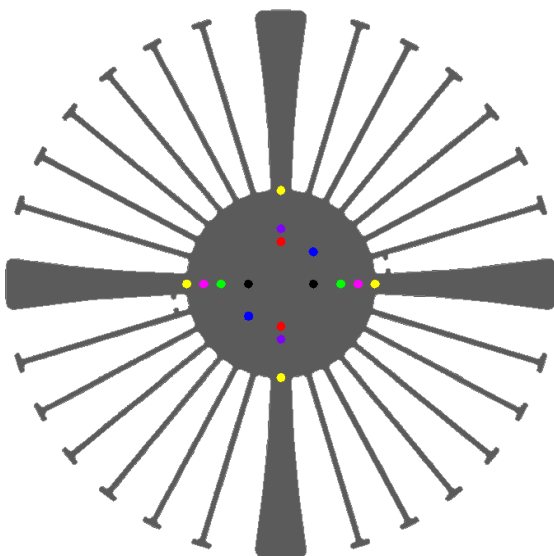
- * The SimpoleD-CIT-160100 Citizen Modular Passive LED Coolers are specifically designed for luminaires using the Citizen LED engines.
- * Mechanical compatibility with direct mounting of the LED engines to the LED cooler and thermal performance matching the lumen packages.
- * For spotlight and downlight designs from 3600 to 12000 lumen.
- * Thermal resistance range R_{th} 0.48°C/W.
- * Modular design with mounting holes foreseen for direct mounting of Citizen CLL030, CLL032, CLU034, CLL040, CLL042, CLU044, CLL050 and CLL052 COB engines.
- * Diameter 160mm - standard height 100mm Other heights on request.
- * Extruded from highly conductive aluminum.



Citizen LED engine and radiator assembly directly Mounting Options

- * Below you find an overview of Citizen COB's which standard fit on the SimpoleD coolers.
- * In this way mechanical after work and related costs can be avoided, and lighting designers can standardize their designs on a limited number of LED coolers.

CITIZEN
Micro HumanTech



Citizen LED Modules Mounting indicator marks overview

CLL030, CLL032, CLU034 LED Modules:

- CLL030-1212A5-50xxxx ;
- CLL030-1212A5-40xxxx ;
- CLL030-1212A5-35xxxx ;
- CLL030-1212A5-30xxxx ;
- CLL030-1212A5-27xxxx ;
- CLL032-1212A5-50xxxx ;
- CLL032-1212A5-40xxxx ;
- CLL032-1212A5-35xxxx ;
- CLL032-1212A5-30xxxx ;
- CLL032-1212A5-27xxxx ;
- CLU034-1208B8-50xxxx ;
- CLU034-1208B8-40xxxx ;
- CLU034-1208B8-35xxxx ;
- CLU034-1208B8-30xxxx ;
- CLU034-1208B8-27xxxx ;

With Zhaga Book 3 LED holder
 BJB Spotlight connector 47.319.2020.50
 Mounting with 2 screws M3 x 10mm
 Green indicator marks
 Direct mounting with 2 screws M3 x 6mm
 Blue indicator marks

Citizen CLL040 Modules:

- CLL040-1218A5-50xxxx ;
- CLL040-1218A5-40xxxx ;
- CLL040-1218A5-35xxxx ;
- CLL040-1218A5-30xxxx ;
- CLL040-1218A5-27xxxx ;
- CLL040-1818A5-50xxxx ;
- CLL040-1818A5-40xxxx ;
- CLL040-1818A5-35xxxx ;
- CLL040-1818A5-30xxxx ;
- CLL040-1818A5-27xxxx ;

With Zhaga Book 3 LED holder
 BJB Spotlight connector 47.319.2030.50
 Mounting with 2 screws M3 x 10mm
 Green indicator marks
 Direct mounting with 2 screws M3 x 6mm
 Purple indicator marks



for

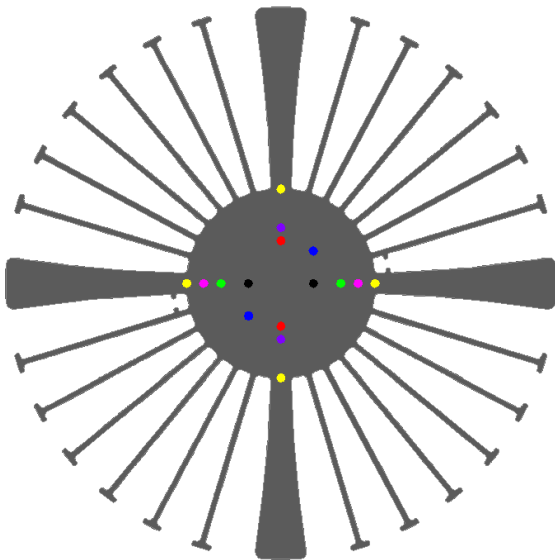
LED



SimpoleD

SimpoleD-CIT-160100 for Citizen Modular Passive LED Cooler Φ 160mm

CITIZEN
Micro HumanTech



Citizen LED Modules Mounting indicator marks overview

Citizen CLL042,CLU034 LED Modules:

- CLL042-1218A5-50xxxx ;
- CLL042-1218A5-40xxxx ;
- CLL042-1218A5-35xxxx ;
- CLL042-1218A5-30xxxx ;
- CLL042-1218A5-27xxxx ;

- CLU044-1812B8-50xxxx ;
- CLU044-1812B8-40xxxx ;
- CLU044-1812B8-35xxxx ;
- CLU044-1812B8-30xxxx ;
- CLU044-1812B8-27xxxx ;

- With Zhaga Book 3 LED holder
- BJB Spotlight connector 47.319.2030.50
- Mounting with 2 screws M3 x 10mm
- Green indicator marks
- Direct mounting with 2 screws M3 x 6mm
- Purple indicator marks

Citizen CLL050,CLL052 LED Modules

- CLL050-1825A1-50xxxx ;
- CLL052-1825B1-40xxxx ;
- CLL052-1825B1-35xxxx ;
- CLL052-1825B1-30xxxx ;
- CLL052-1825B1-27xxxx ;

- With LED holder
- BJB Spotlight connector 47.319.4160.50
- Mounting with 4 screws M3 x 10mm
- Yellow indicator marks
- Direct mounting with 2 screws M3 x 6mm
- Pink indicator marks



for

LED



SimpLED

SimpLED-CIT-160100 for Citizen Modular Passive LED Cooler Φ 160mm

Mounting Options and Drawings & Dimensions

Example: SimpLED-CIT-160100-B-3

Example: SimpLED-CIT-160 **1** - **2** - **3**

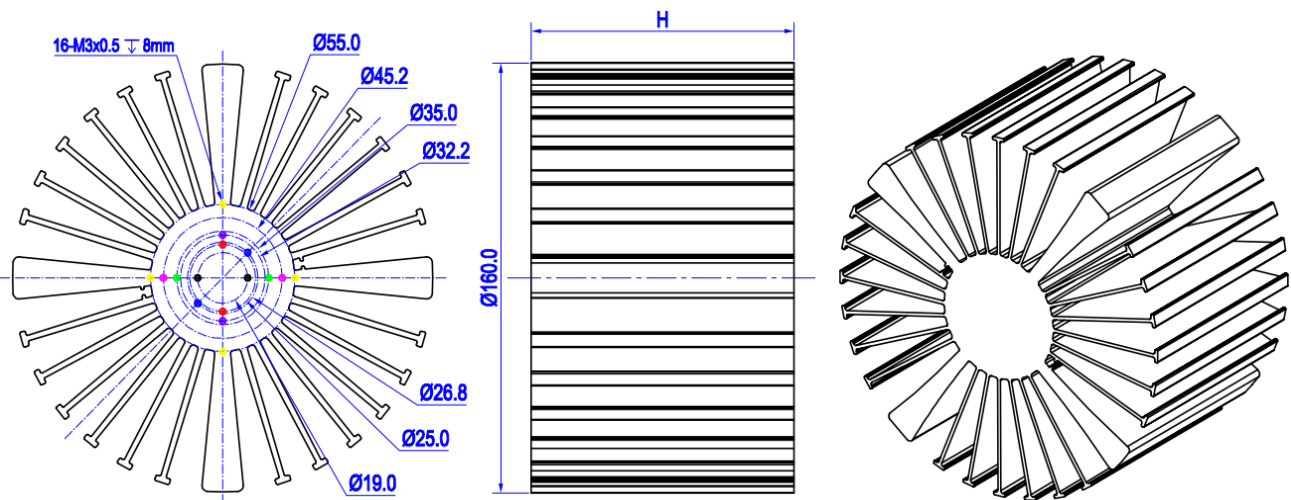
- 1** Height (mm)
- 2** Anodising Color
B-Black
C-Clear
Z-Custom
- 3** Mounting Options - see graphics for details Combinations available
Ex.order code - 12
means option 1 and 2 combined



Notes:

- Mentioned models are an extraction of full product range.
- For specific mechanical adaptations please contact MingfaTech.
- MingfaTech reserves the right to change products or specifications without prior notice.

MOUNTING OPTION	Module type	Holder NO.	THREAD	THREAD DEPTH	THREAD HOLE DISTANCE
1	CLL020-022/CLU024	/	M3	6mm	19.0mm/ 2-@180°
2	CLL020-022/CLU024	BJB:47.319.6060.50	M3	5mm	25.0mm/ 2-@180°
3	CLL030-032/CLU034	/	M3	6mm	26.8mm/ 2-@180°
4	CLL040-042/CLU044	/	M3	6mm	32.2mm/ 2-@180°
5	CLL030-032/CLU034	BJB:47.319.2020.50	M3	6mm	35.0mm/ 2-@180°
	CLL040-042/CLU044	BJB:47.319.2030.50			
6	CLL050-052 CLU054	/	M3	6mm	45.2mm/ 2-@180°
7		BJB: 47.319.4160.50	M3	6mm	55.0mm/ 4-@90°



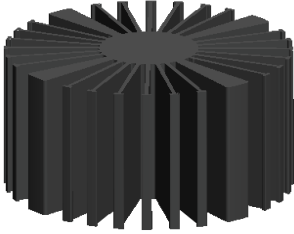
Tel: +86-769-39023131
 E-fax: +86-(020)28819702 ext:22122
 Email:sales@mingfatech.com
 Http://www.heatsinkled.com
 Http://www.mingfatech.com



SimpoleD

SimpoleD-CIT-160100 for Citizen Modular Passive LED Cooler Φ 160mm

The thermal data table

	 <i>SimpoleD-160100</i>
Model No.	SimpoleD-CIT-160100
Size	Φ160xH100mm
Material	AL6063-T5
Finish	Black Anodized
Weight(g)	2104.0
Thermal Wattage	100.2W
HeatsinkΘs-a²	342742
Heat Sink T Rise Above Ambient	0.48

	Pd = Pe x (1- η L)	Heat sink to ambient thermal resistance Rhs-amb ($^{\circ}$ C/W)	Heat sink to ambient temperature rise Ths-amb ($^{\circ}$ C)
		SimpoleD-CIT-160100	SimpoleD-CIT-160100
Dissipated Power Pd(W)	15	0.64	9.6
	30	0.56	16.8
	45	0.52	23.4
	60	0.50	30.0
	75	0.48	36.0
	90	0.46	41.4
	100	0.48	48.0

