



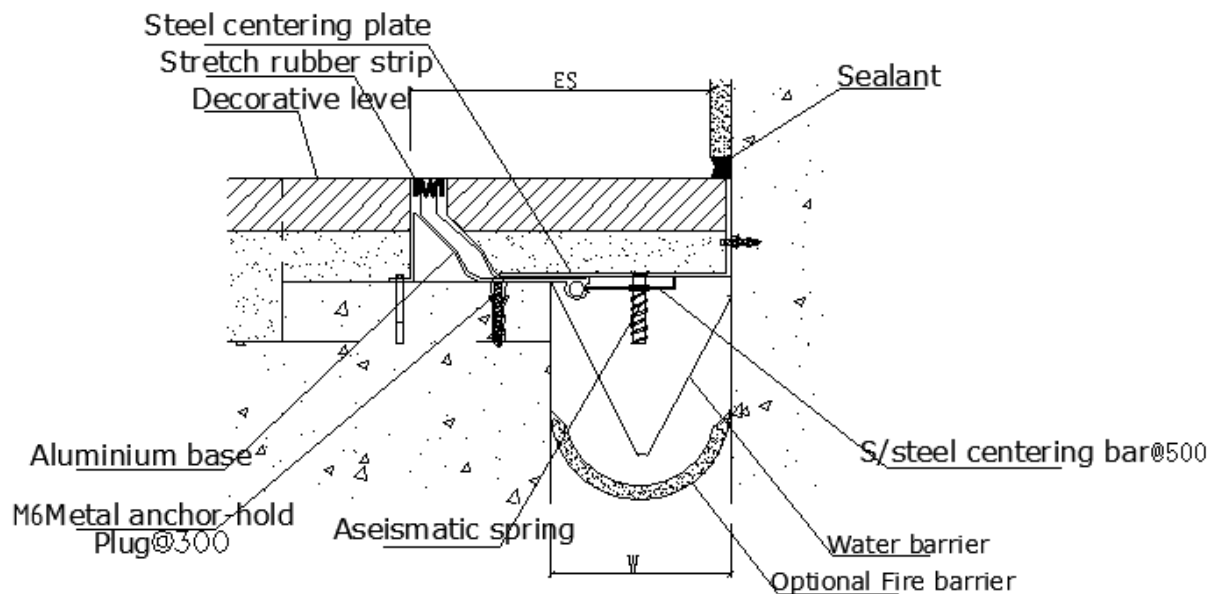
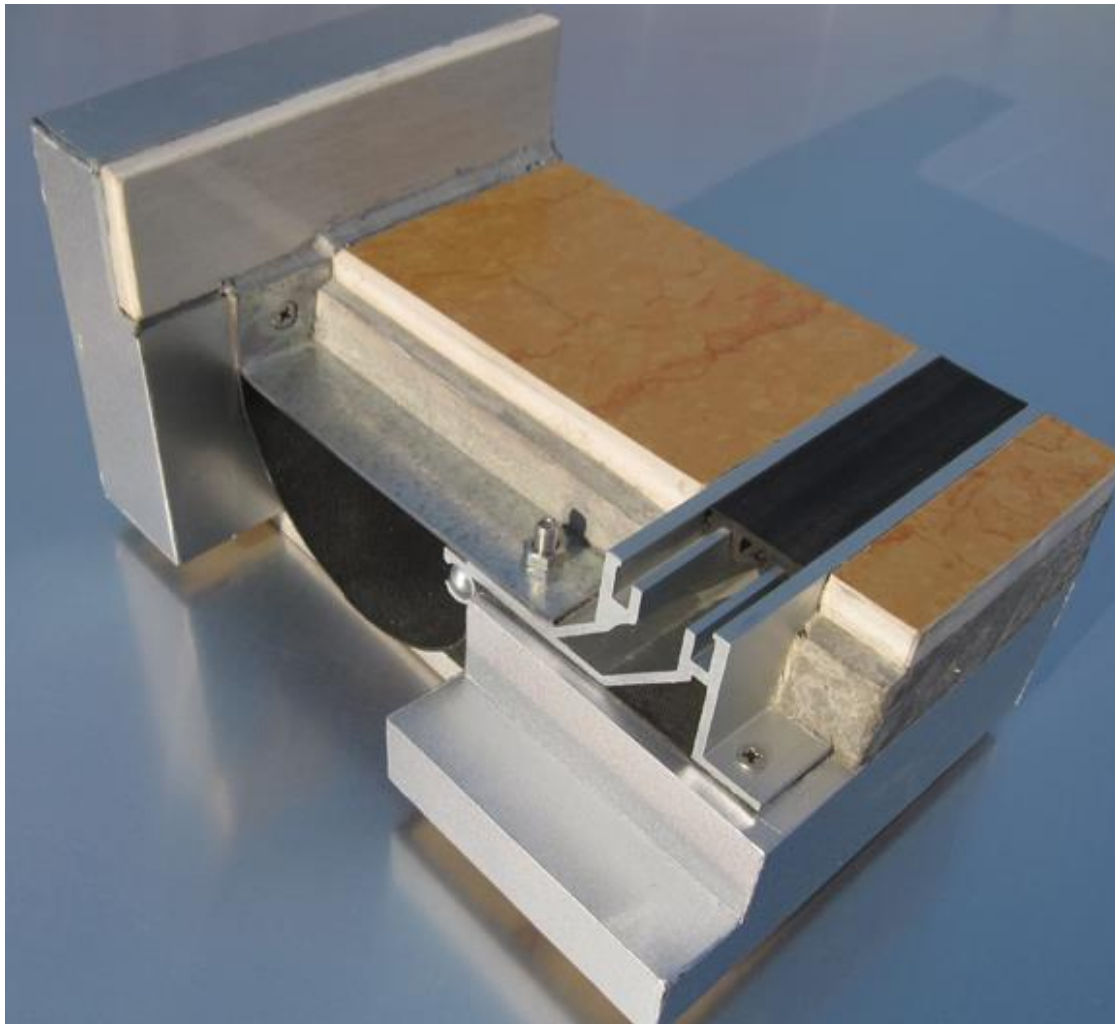
MEISHUO Building Materials CO.,Ltd

Office: No.2208, Huaqiao Square, Pukou district, Nanjing,China

Tel: 0086-025-58196288 Fax:0086-025-58196399

Website: www.msbox.com E-mail:sariel@msbox.com

MSD-QSZJ EXPANSION JOINT SPEC DATA





MEISHUO Building Materials CO.,Ltd

Office: No.2208, Huaqiao Square, Pukou district, Nanjing,China

Tel: 0086-025-58196288 Fax:0086-025-58196399

Website: www.msbox.com E-mail:sariel@msbox.com

MSD-QSZJ EXPANSION JOINT SPEC DATA

Product Description:

An architectural line of thermal, seismic, waterproof and fire rated expansion joint systems meeting the aesthetic and structural demands of airports, hospitals, shopping malls and other building types.

TECHNICAL DATA:

Flush Seismic Floor Covers MSD-QSZJ															
Suitable for Joint width: 50—500mm															
Joint Width (W)	50	75	100	125	150	175	200	250	300	350	400	450	500	Remark	
Exposed surface (ES)	120	145	170	195	220	245	270	320	370	420	470	520	570	The width of the plate means the Horizontal Size. The vertical is fixed on the wall	
Movement Capacity	Total	25	25	25	25	25	25	25	25	25	25	25	25		25
	+	12.5	12.5	12.5	12.5	12.5	12.5	12.5	12.5	12.5	12.5	12.5	12.5		12.5
	-	12.5	12.5	12.5	12.5	12.5	12.5	12.5	12.5	12.5	12.5	12.5	12.5		12.5
Wideness of Plate(mm)	75	100	125	150	175	200	225	275	325	375	425	475	525		
Thickness of Plate (mm)	1.5	1.5	1.5	1.5	2	2	2	3	3	3	5	5	5		
Load Capacity(KN)	15	15	15	15	15	15	15	15	15	15	15	15	15		

MATERIALS:

Aluminum Base: ASTM 6063T5 Mill finish, anodisation

WARRANTY:

Meishuo warrants that its products are manufactured free of defects and conform to the technical data listed. Under this warranty, we will replace any material proven defective when applied in accordance with our written instructions for applications recommended by us as suitable for subject products. Meishuo shall not be liable for any injury, loss or damage, direct or consequential, arising out of the use of the product.