



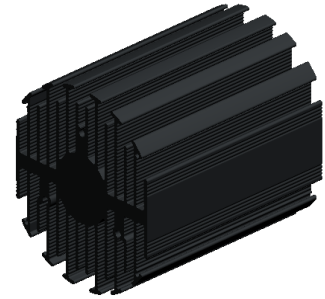
Mingfa TECH for LED

eLED

eLED-CRE-7080 Cree Modular Passive Star LED Heat Sink Φ 70mm

Features VS Benefits

- * The eLED-CRE-7080 Cree Modular Passive LED Coolers are specifically designed for luminaires using the Cree LED engines.
- * Mechanical compatibility with direct mounting of the LED engines to the LED cooler and thermal performance matching the lumen packages.
- * For spotlight and downlight designs from 1200 to 3000.umen.
- * Thermal resistance range Rth 1.77°C/W.
- * Modular design with mounting holes foreseen for direct mounting of Cree LxampCXA1304 , CXA1310, CXA1507,1512,1520, CXA1816 1820 LED Array COB engines.
- * Diameter 70mm - standard height 80mm Other heights on request.
- * Extruded from highly conductive aluminum.



- * Below you find an overview of Cree LED modular which standard fit on the eLED coolers.
- * In this way mechanical after work and related costs can be avoided, and lighting designers can standardize their designs on a limited number of LED coolers.



Zhaga Book3 Spot Light LED engines
LED COB's for which Zhaga book3 LED Modules holders are available

Cree LED Modules and Ideal holders:
Cree Lxamp CXA1507 LED Modules: (Ideal Holder:50-2001CR)

Maximum drive current optional:
750mA (18V);
375mA (37V);
Please refer to the www.cree.com data provided on the manual.

Cree Lxamp CXA1512 LED Modules: (Ideal Holder:50-2001CR)

Maximum drive current optional:
1200mA (18V);
600mA (37V);
Please refer to the www.cree.com data provided on the manual.

Cree Lxamp CXA1520 LED Modules: (Ideal Holder:50-2001CR)

Maximum drive current optional:
750mA ;
Please refer to the www.cree.com data provided on the manual.

Cree Lxamp CXA1816 LED Modules: (Ideal Holder:50-2101CR),
(BJB Holder:47.319.2131.50)

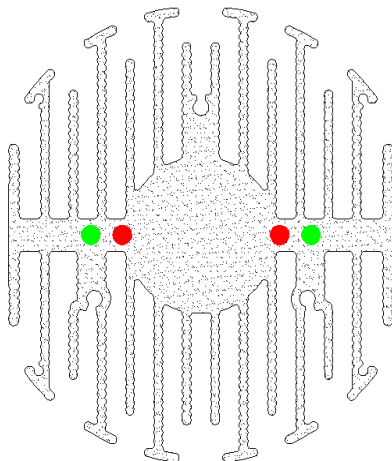
Maximum drive current optional:
680mA;
Please refer to the www.cree.com data provided on the manual.

Cree Lxamp CXA1820 LED Modules: (Ideal Holder:50-2101CR),
(BJB Holder:47.319.2131.50)

Maximum drive current optional:
700mA;
Please refer to the www.cree.com data provided on the manual.

Please refer to the data files on www.idealindustries.com, which is the detail of Ideal holders application guide

Zhaga Book3 Green indicator marks:
Mounting with 2 machine screws M3 x 8mm;
Green indicator marks.





eLED

eLED-CRE-7080 Cree Modular Passive Star LED Heat Sink Φ 70mm

Mounting Options and Drawings & Dimensions

Example:eLED-CRE-7080-B-1

Example:eLED-CRE-70 **1** - **2** - **3**

1 Height (mm)

2 Anodising Color

B-Black

C-Clear

Z-Custom

3 Mounting options;

On request;

Mounting holes, cable holes;

Screw thread, thermal interface pad.

Notes:

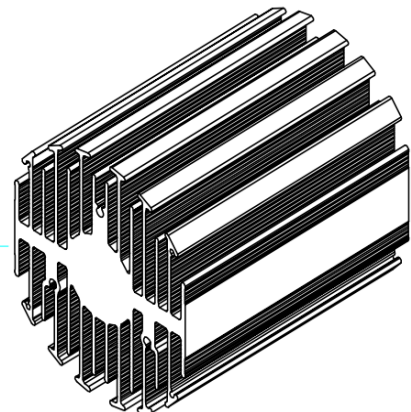
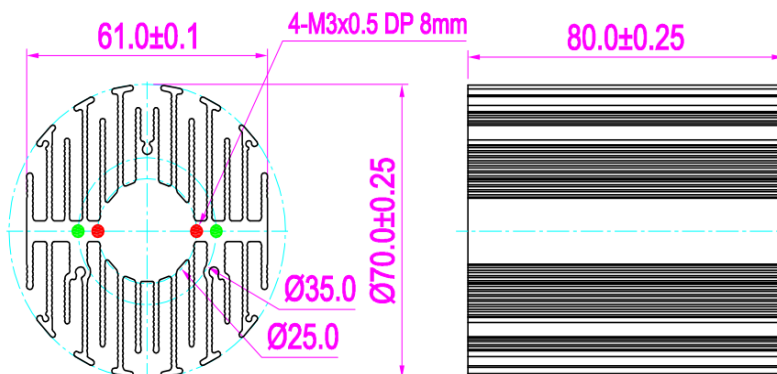
- Mentioned models are an extraction of full product range.

- For specific mechanical adaptations please contact MingfaTech.

- MingfaTech reserves the right to change products or specifications without prior notice.



MOUNTING OPTION	Module type	Holder NO.	THREAD	THREAD DEPTH	THREAD HOLE DISTANCE
1	CXA-13xx	BJB: 47.319.6120.50 IDEAL:50-2000CR	M3	6.5mm	25mm/ 2-@180° Zhaga Book11
2	CXA-15xx ;	BJB: 47.319.6101.50 IDEAL:50-2001CR	M3	6.5mm	35mm/ 2-@180° Zhaga Book3
	CXA18XX ;	BJB:47.319.2130.50 IDEAL:50-2101CR			
	CXA1830 ;	BJB:50-2001CR			
	CXA25xx ;	BJB:47.319.2140.50 IDEAL:50-2102CR			
	CXA30xx ;	BJB:47.319.2150.50 IDEAL:50-2234C			
	CXA35xx ;	IDEAL:50-2303CR			



Tel: +86-769-33252828 +86-769-33251919

E-fax: +86-(020)28819702 ext:22122

Email:sales@mingfatech.com

Http://www.heatsinkled.com

Http://www.mingfatech.com





for

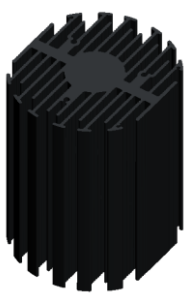
LED



eLED

eLED-CRE-7080 Cree Modular Passive Star LED Heat Sink Φ 70mm

The thermal data table

	 <i>eLED-7080</i>
Model No.	eLED-CRE-7080
Size	Φ70xH80mm
Material	AL6063-T5
Finish	Black Anodized
Weight(gr)	329
Thermal Wattage	28.2W
HeatsinkOs-a²	115563
Heat Sink T Rise Above Ambient	1.77

Dissipated Power Pd(W)	Heat sink to ambient thermal resistance Rhs-amb (°C/W)		Heat sink to ambient temperature rise Ths-amb (°C)	
	eLED-CRE-7080			
6	2.5	15		
12	2.2	26		
18	1.9	34		
24	1.8	43		
30	1.7	51		

