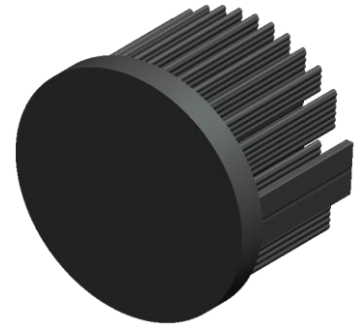


xLED

xLED-ADU-4530 Pin Fin LED Heat Sink Φ 45mm for Adura

Features VS Benefits

- * The xLED-ADU-4530 Adura Pin Fin LED Heat Sinks are specifically designed for luminaires using the Adura LED engines.
- * Mechanical compatibility with direct mounting of the LED engines to the LED cooler and thermal performance matching the lumen packages.
- * For spotlight and downlight designs from 400 to 1000 lumen.
- * Thermal resistance range Rth 6.4°C/W.
- * Modular design with mounting holes foreseen for direct mounting of Adura LOB series LED engines.
- * Diameter 45mm - standard height 30mm Other heights on request.
- * Forged from highly conductive aluminum.

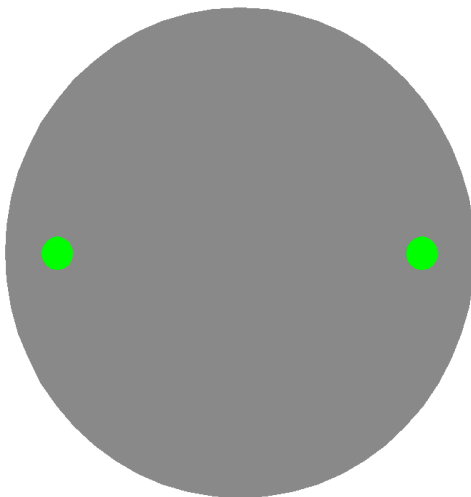
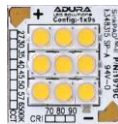


Zhaga LED engine and radiator assembly is a unified future international standardization

- * Below you find an overview of Adura COB's and LED modules which standard fit on the Pin Fin LED Heat Sinks.
- * In this way mechanical after work and related costs can be avoided, and lighting designers can standardize their designs on a limited number of LED Pin Fin LED Heat Sink.



ADURA
LED SOLUTIONS



Adura LED Modules directly Mounting Options

LOB 1979C-A LED engines.

LOB-150026D-0093535-277-1x9C;
LOB-150026D-0093535-307-1x9C;
LOB-150026D-0093535-357-1x9C;
LOB-150026D-0093535-407-1x9C;
LOB-150026D-0093535-457-1x9C;
LOB-150026D-0093535-507-1x9C;
LOB-150026D-0093535-577-1x9C;
LOB-150026D-0093535-657-1x9C;
LOB-150026D-0093535-278-1x9C;

LOB-150026D-0093535-308-1x9C;
LOB-150026D-0093535-358-1x9C;
LOB-150026D-0093535-408-1x9C;
LOB-150026D-0093535-458-1x9C;
LOB-150026D-0093535-508-1x9C;
LOB-150026D-0093535-279-1x9C;
LOB-150026D-0093535-309-1x9C;
LOB-150026D-0093535-359-1x9C;
LOB-150026D-0093535-409-1x9C;

LOB 1980C-A LED engines.

LOB-45009D-0093535-277-3x3C;
LOB-45009D-0093535-307-3x3C;
LOB-45009D-0093535-357-3x3C;
LOB-45009D-0093535-407-3x3C;
LOB-45009D-0093535-457-3x3C;
LOB-45009D-0093535-507-3x3C;
LOB-45009D-0093535-577-3x3C;
LOB-45009D-0093535-657-3x3C;
LOB-45009D-0093535-278-3x3C;

LOB-45009D-0093535-308-3x3C;
LOB-45009D-0093535-358-3x3C;
LOB-45009D-0093535-408-3x3C;
LOB-45009D-0093535-458-3x3C;
LOB-45009D-0093535-508-3x3C;
LOB-45009D-0093535-279-3x3C;
LOB-45009D-0093535-309-3x3C;
LOB-45009D-0093535-359-3x3C;
LOB-45009D-0093535-409-3x3C;

With Zhaga Book 3 LED holder

BJB holder: 47.313.2131.50;

Ideal Holde: 50-2103CT

Green indicator marks.

Mounting with machine screws M3x6.5mm;

xLED

xLED-ADU-4530 Pin Fin LED Heat Sink Φ 45mm for Adura

Mounting Options and Drawings & Dimensions

Example: xLED-ADU-4530-B-1

Example: xLED-ADU-4530-1-2-3

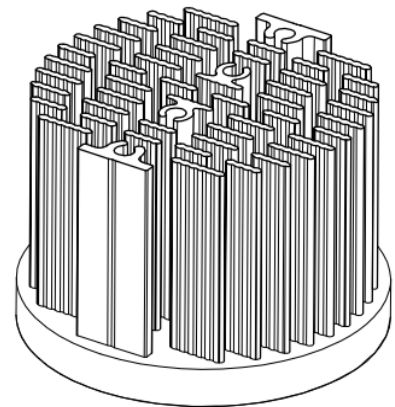
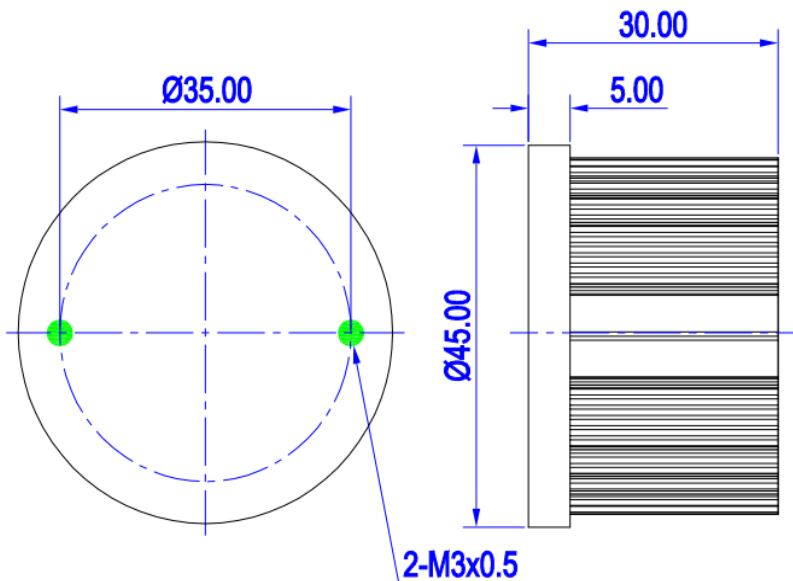
- 1** Height (mm)
- 2** Anodising Color
 - B-Black
 - C-Clear
 - Z-Custom
- 3** Mounting Options - see graphics for details Combinations available
Ex.order code - 12 means option 1 and 2 combined

Notes:

- Mentioned models are an extraction of full product range.
- For specific mechanical adaptations please contact MingfaTech.
- MingfaTech reserves the right to change products or specifications without prior notice.



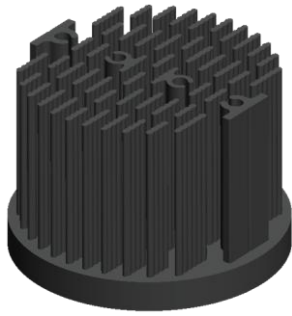
MOUNTING OPTION	Module type	Holder NO.	THREAD	THREAD DEPTH	THREAD HOLE DISTANCE
1	1979C-A; 1980C-A;	Ideal Holde 50-2103CT BJB 47.313.2131.50	M3	6.5mm	35.0mm/ 2-@180°



xLED

xLED-ADU-4530 Pin Fin LED Heat Sink Φ 45mm for Adura

The thermal data table

	
	<i>xLED-4530</i>
Model No.	xLED-ADU-4530
Size	Φ45xH30mm
Material	AL1070
Finish	Black Anodized
Weight(g)	45.0
Thermal Wattage	7.8W
HeatsinkOs-a²	22830
Heat Sink RiseT <small>Rise Above Ambient (°C/W)</small>	6.4

Dissipated Power Pd(W)	Heat sink to ambient thermal resistance Rhs-amb (°C/W)		Heat sink to ambient temperature rise Ths-amb (°C)	
	xLED-ADU-4530			
2.0	8.50	17.0		
4.0	7.50	30.0		
6.0	7.17	43.0		
8.0	6.63	53.0		
10.0	6.10	61.0		

