



for

LED

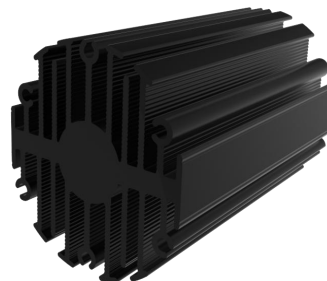


eLED

eLED-EDI-4680 Edison Modular Passive Star LED Heat Sink  $\phi$ 46mm

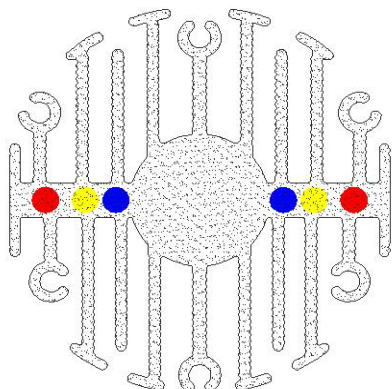
### Features VS Benefits

- \* The eLED-EDI-4680 Edison Modular Passive Star LED Heat Sinks are specifically designed for luminaires using the Edison LED engines.
- \* Mechanical compatibility with direct mounting of the LED engines to the LED cooler and thermal performance matching the lumen packages.
- \* For spotlight and downlight designs from 600 to 1600 lumen.
- \* Thermal resistance range  $R_{th}$  3.8°C/W.
- \* Modular design with mounting holes foreseen for direct mounting of Edison EdiLex SLM and EdiLex II COB LED engines.
- \* Diameter 46.5mm - standard height 80mm Other heights on request.
- \* Extruded from highly conductive aluminum.



### Zhaga LED engine and radiator assembly is a unified future international standardization

- \* Below you find an overview of Edison engines COB's and LED modules which standard fit on the eLED Star LED Heat Sinks.
- \* In this way mechanical after work and related costs can be avoided, and lighting designers can standardize their designs on a limited number of Star LED Heat Sinks.



### Edison LED Modules directly Mounting Options

For the EdiLex Spot Light Module (SLM).

- 5PHR09WW S0010002;
- 5PHR09NW S0010002;
- 5PHR11WW S0010002;
- 5PHR11NW S0010002;

Zhaga Book3 red indicator marks:

Direct mounting with machine screws M3x8mm;

### Edison LED engines for which Zhaga book11 LED Modules holders are available.

For the EdiLex II CAC Series LED engines.

(Ideal Holder: 50-2000CR); (BJB holder: 47.319.6120.50);

- 2PCA04WW 27P21001;
- 2PCA04NW 27P21001;
- 2PCA04CW 27P21001;

For the EdiLex II CAC Series LED engines. (BJB holder: 47.319.6101.50);

- 2PCA07WW 27P22001;
- 2PCA07NW 27P22001;
- 2PCA07CW 27P22001;

For the EdiLex II HM Series LED engines.

(AAG.STUCCHI holder: 8100-G2); (BJB holder: 47.319.6060.50);

- 2PHM05WW 27P12001;
- 2PHM05NW 27P12001;
- 2PHM05CW 27P12001;
- 2PHM09WW 27P12001;
- 2PHM09NW 27P12001;
- 2PHM09CW 27P12001;

For the EdiLex II HM CRI90 Series LED engines.

(AAG.STUCCHI holder: 8100-G2); (BJB holder: 47.319.6060.50);

- 2PHM05WW 38P12001;
- 2PHM05NW 38P12001;
- 2PHM05CW 38P12001;
- 2PHM09WW 38P12001;
- 2PHM09NW 38P12001;
- 2PHM09CW 38P12001;

Zhaga Book11 green indicator marks:

Direct mounting with machine screws M3x8mm;

Tel: +86-769-39023131

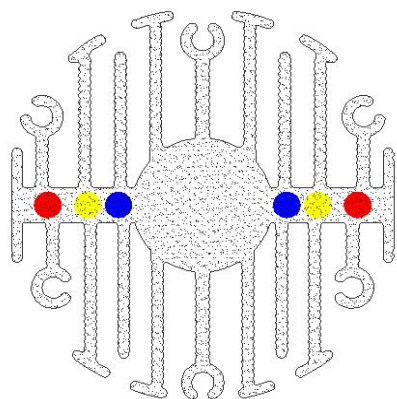
E-fax: +86-(020)28819702 ext: 22122

Email: sales@mingfatech.com

Http://www.heatsinkled.com

Http://www.mingfatech.com





For the EdiLex II HM Series (PAR) LED engines.  
(AAG.STUCCHI holder:8100-G2); (BJB holder:47.319.6060.50);

- 2PHM13WW27P12001;
- 2PHM13NW27P12001;
- 2PHM13CW27P12001;

For the EdiLex II MV Series LED engines.  
(AAG.STUCCHI holder:8100-G2); (BJB holder:47.319.6060.50);

**Edison LED engines directly Mounting Options**

For the EdiLex II SD Series LED engines.

- 2PSD15WW01P02001;
- 2PSD15NW05P02001;
- 2PSD15CW06P02001;

For the EdiLex II LC Series LED engines.

- 2PLC15WW05P02001;
- 2PLC15NW05P02001;
- 2PLC15CW06P02001;

For the EdiLex II HV Series LED engines.

- 2PHV09WW05P02001;
- 2PHV09NW05P02001;
- 2PHV09CW06P02001;
- 2PHV13WW05P02001;
- 2PHV13NW05P02001;
- 2PHV13CW06P02001;

Direct mounting with machine screws M3x8mm;  
Yellow indicator marks.

For the EdiLex II Star CR190 Series LED engines.

- 2PHV06WW38P05001;
- 2PHV06NW38P05001;
- 2PHV06CW38P05001;
- 2PHV10WW38P05001;
- 2PHV10NW38P05001;
- 2PHV10CW38P05001;

For the EdiLex II Star Series LED engines.

- 2PHV06WW27P05001;
- 2PHV06NW27P05001;
- 2PHV06CW27P05001;
- 2PHV10WW27P05001;
- 2PHV10NW27P05001;
- 2PHV10CW27P05001;

For the EdiLex II CM Series LED engines.

- 2PCM09WW11P26001;
- 2PCM09NW11P26001;
- 2PCM09CW11P26001;

Direct mounting with machine screws M3x6mm;  
Blue indicator marks.

Please refer to the "<http://www.edison-opto.com>" data provided on the manual.



for

LED



eLED

eLED-EDI-4680 Edison Modular Passive Star LED Heat Sink  $\Phi$ 46mm

**Mounting Options and Drawings & Dimensions**

Example: eLED-EDI-4680-B-1

Example: eLED-EDI-4680-**1**-**2**-**3**

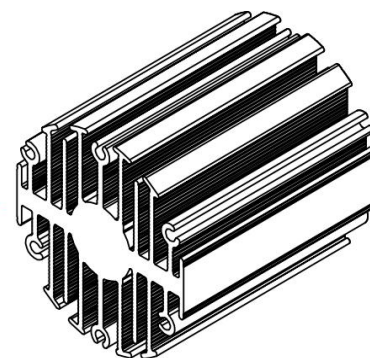
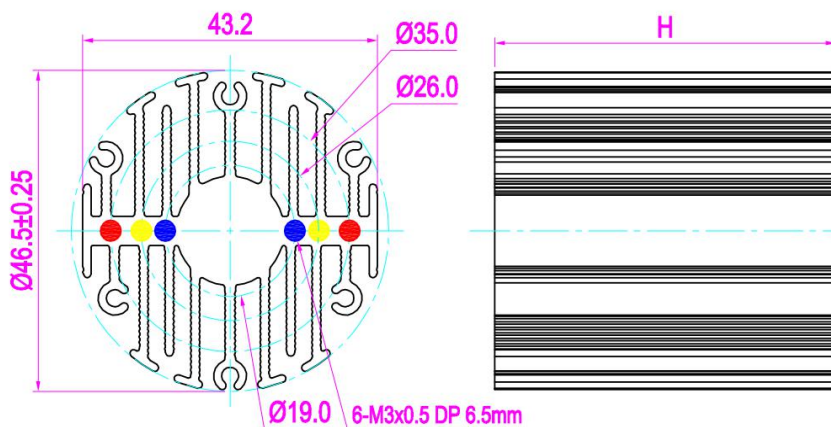
- 1** Height (mm)
- 2** Anodising Color  
B-Black  
C-Clear  
Z-Custom
- 3** Mounting Options - see graphics for details Combinations available  
Ex.order code - 12  
means option 1 and 2 combined

**Notes:**

- Mentioned models are an extraction of full product range.
- For specific mechanical adaptations please contact MingfaTech.
- MingfaTech reserves the right to change products or specifications without prior notice.
- Note : option 1 and option 2 can not be combined



MOUNTING OPTION	Module type	Holder NO.	THREAD	THREAD DEPTH	THREAD HOLE DISTANCE
1	EdiLex II CM EdiLex II Star	/	M3	6.5mm	19.0mm/ 2-@180°
2	EdiLex II SD EdiLex II HV EdiLex II LC	/	M3	6.5mm	26.0mm/ 2-@180°
3	EdiLex II SLM	/	M3	6.5mm	35.0mm/ 2-@180°



eLED

eLED-EDI-4680 Edison Modular Passive Star LED Heat Sink  $\Phi$ 46mm

The thermal data table

	 <i>eLED-4680</i>
<b>Model No.</b>	eLED-EDI-4680
<b>Size</b>	$\Phi$ 46.5xH80mm
<b>Material</b>	AL6063-T5
<b>Finish</b>	Black Anodized
<b>Weight(gr)</b>	161.5
<b>Thermal Wattage</b>	13.0W
<b>Heatsink <math>\Theta_{s-a}^2</math></b>	65150
<b>Heat Sink T Rise Above Ambient</b>	3.8

Dissipated Power Pd(W)	Pd = Pe x (1- $\eta$ L)	Heat sink to ambient thermal resistance Rhs-amb ( $^{\circ}$ C/W)	Heat sink toambienttemperature riseThs-amb ( $^{\circ}$ C)
		eLED-EDI-4680	
	3	4.67	14
	6	4.67	28
	9	4.33	39
	12	4.00	48
	15	3.73	56

