



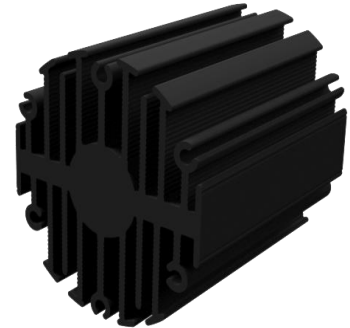
# LED

eLED

## eLED-CIT-4650 Citizen Modular Passive Star LED Heat Sink $\Phi$ 46mm

### Features VS Benefits

- \* The eLED-CIT-4650 Citizen Modular Passive Star LED Heat Sinks are specifically designed for luminaires using the Citizen LED engines.
- \* Mechanical compatibility with direct mounting of the LED engines to the LED cooler and thermal performance matching the lumen packages.
- \* For spotlight and downlight designs from 400 to 1200 lumen.
- \* Thermal resistance range Rth 5.0°C/W.
- \* Modular design with mounting holes foreseen for direct mounting of CITIZEN CLL020~022, CLU024 and CLL030~032 LED engines.
- \* Diameter 46.5mm - standard height 50mm Other heights on request.
- \* Extruded from highly conductive aluminum.



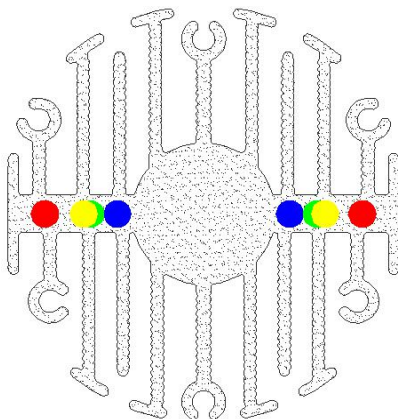
### Zhaga LED engine and radiator assembly is a unified future international standardization

- \* Below you find an overview of Citizen COB's and LED modules which standard fit on the Star LED Heat Sinks.
- \* In this way mechanical after work and related costs can be avoided, and lighting designers can standardize their designs on a limited number of Star LED Heat Sinks.

**CITIZEN**  
Micro HumanTech

**BJB**

**STUCCHI**  
A. A. G.  
ideas are made of light



### Citizen LED Modules directly Mounting Options

#### CLL020~022 and CLU024 LED engines.

CLU020-1202A5-xxxxxxx;	CLU022-1202A5-xxxxxxx;
CLU020-1203A5-xxxxxxx;	CLU022-1203A5-xxxxxxx;
CLU020-1204A5-xxxxxxx;	CLU022-1204A5-xxxxxxx;
CLU024-1202B8-xxxxxxx;	
CLU024-1203B8-xxxxxxx;	
CLU024-1204B8-xxxxxxx;	

#### With Zhaga Book 11 LED holder

BJB holder: 47.319.6060.50;  
AAG.STUCCHI holder: 8100-G2

Green indicator marks.  
Mounting with machine screws M3x6mm;

#### Without LED holders

Blue indicator marks.  
Direct mounting with machine screws M3x6mm;

#### CLL030~032 LED engines.

CLL030-1205A5-xxxxxxx;	CLL032-1205A5-xxxxxxx;
CLL030-1206A5-xxxxxxx;	CLL032-1206A5-xxxxxxx;

#### With Zhaga Book 3 LED holder

BJB holder: 47.319.2021.50;  
AAG.STUCCHI holder: 8101-G2

Red indicator marks.  
Direct mounting with machine screws M3x6mm;

#### Without LED holders for yellow indicator marks.

Direct mounting with machine screws M3x6mm;



# LED

eLED

eLED-CIT-4650 Citizen Modular Passive Star LED Heat Sink  $\Phi$ 46mm

## Mounting Options and Drawings & Dimensions

Example: eLED-CIT-4650-B-1,2

Example: eLED-CIT-4650-1-2-3

- 1** Height (mm)
- 2** Anodising Color  
B-Black  
C-Clear  
Z-Custom
- 3** Mounting Options - see graphics for details Combinations available  
Ex.order code - 12  
means option 1 and 2 combined

### Notes:

- Mentioned models are an extraction of full product range.
- For specific mechanical adaptations please contact MingfaTech.

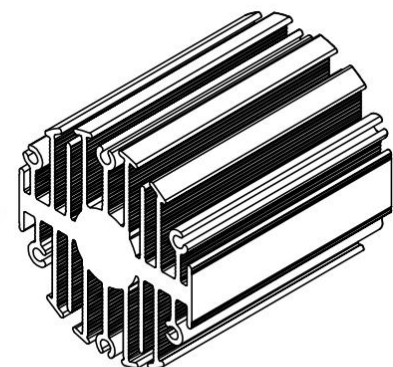
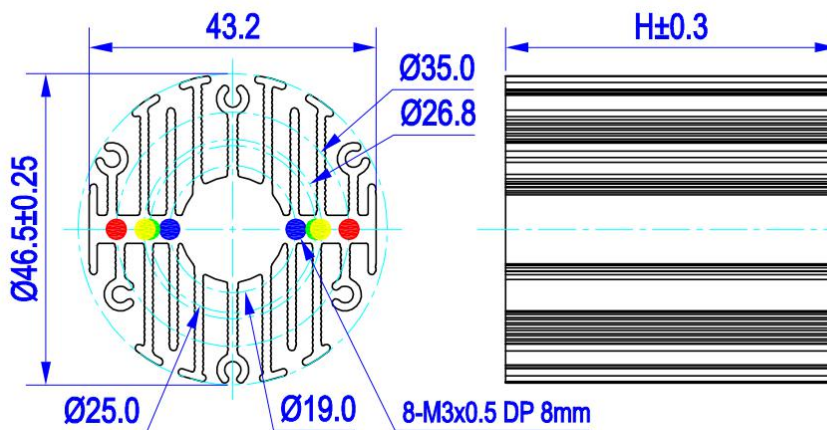
MingfaTech reserves the right to change products or specifications without prior notice.

Note : option 1 and option 2, option 2 and option 3 can not be combined



A. A. G. STUCCHI  
ideas are made of light

MOUNTING OPTION	Module type	Holder NO.	THREAD	THREAD DEPTH	THREAD HOLE DISTANCE
1	CLL020-022 CLU024	/	M3	6.5mm	19.0mm/ 2-@180°
2	CLL020-022 CLU024	AAG.STUCCHI 8100-G2 BJB 47.313.6060.50	M3	6.5mm	25.0mm/ 2-@180°
3	CLL030-032	/	M3	6.5mm	26.8mm/ 2-@180°
4	CLL030-032	AAG.STUCCHI 8101-G2 BJB 47.313.2021.50	M3	6.5mm	35.0mm/ 2-@180°



*eLED*

**eLED-CIT-4650 Citizen Modular Passive Star LED Heat Sink  $\Phi$ 46mm**

The thermal data table

	 <i>eLED-4650</i>
<b>Model No.</b>	<b>eLED-CIT-4650</b>
<b>Size</b>	<b><math>\Phi</math>46.5xH50mm</b>
<b>Material</b>	<b>AL6063-T5</b>
<b>Finish</b>	<b>Black Anodized</b>
<b>Weight(gr)</b>	<b>101</b>
<b>Thermal Wattage</b>	<b>10.0W</b>
<b>Heatsink <math>\Theta</math>s-a<sup>2</sup></b>	<b>41280</b>
<b>Heat Sink T Rise Above Ambient</b>	<b>5</b>

Dissipated Power Pd(W)	Pd = Pe x (1- $\eta$ L)	Heat sink to ambient thermal resistance Rhs-amb ( $^{\circ}$ C/W)	Heat sink to ambient temperature rise Ths-amb ( $^{\circ}$ C)
		eLED-CIT-4650	
3		5.67	17
6		5.50	33
9		5.22	47
12		4.83	58
15		4.33	65

