

SimpoleD

SimpoleD-LUM-11750 for LumiLEDs Modular Passive LED Cooler Φ 117mm

Features VS Benefits

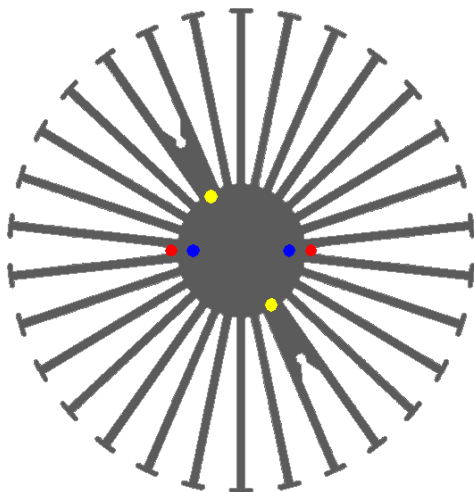
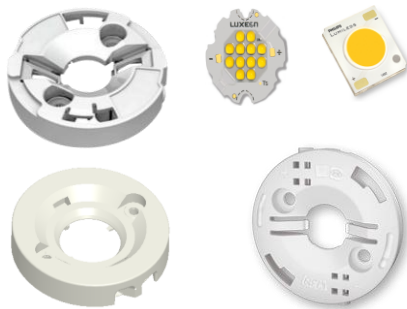
- * The SimpoleD-LUM-11750 LumiLEDs Modular Passive LED Coolers are specifically designed for luminaires using the LumiLEDs LED engines.
- * Mechanical compatibility with direct mounting of the LED engines to the LED cooler and thermal performance matching the lumen packages.
- * For spotlight and downlight designs from 3000 to 6200 lumen.
- * Thermal resistance range R_{th} 0.97°C/W.
- * Modular design with mounting holes foreseen for direct mounting of LUMILEDS Luxeon K and LuxeonCOB engines.
- * Diameter 117mm - standard height 50mm Other heights on request.
- * Extruded from highly conductive aluminum.



Zhaga LED engine and radiator assembly is a unified future international standardization

- * Below you find an overview of LumiLEDs engines COB's and LED modules which standard fit on the SimpoLED coolers.
- * In this way mechanical after work and related costs can be avoided, and lighting designers can standardize their designs on a limited number of LED coolers.

LUMILEDS



LUMILEDS LED Modules Mounting Options

LumiLEDs LuxeonCOB LED engines.

- LHC1-xxxx-1204;
- LHC1-xxxx-1205;
- LHC1-xxxx-1208;

With Zhaga Book3 LED holder, Red indicator marks;
TE holder:Z50 2213130-2;
BJB holder:47.319.2011.50;
A.A.G Stucchi holder:8301/G2;

- LHC1-xxxx-1211;

With Zhaga Book 3 LED holder, Red indicator marks;
BJB holder:47.319.2030.50;
A.A.G Stucchi holder:8102/G2;

For the Luxeon K 12-UP/16-UP LED engines.

- | | |
|-----------------|-----------------|
| LXK7-PWxx-0012; | LXK7-PWxx-0016; |
| LXK8-PWxx-0012; | LXK8-PWxx-0016; |
| LXK9-PWxx-0012; | LXK9-PWxx-0016; |

NO`1:Zhaga Book3 Red indicator marks;
TE holder:Z50 2213134-2;
BJB holder:47.319.2070.50;
Red indicator marks:
Mounting with machine screws M3x8mm;
NO`2:without the holder.
Blue indicator marks:
Direct mounting with machine screws M3x8mm;

LUMILEDS LED Modules directly Mounting Options

For the Luxeon K 24-UP LED engines.

- LXK8-PWxx-0024;

Direct mounting with machine screws M3x6mm;
Yellow indicator marks.

SimpoleD

SimpoleD-LUM-11750 for LumiLEDs Modular Passive LED Cooler Φ 117mm

Mounting Options and Drawings & Dimensions

Example: SimpoleD-LUM-11750-B-3

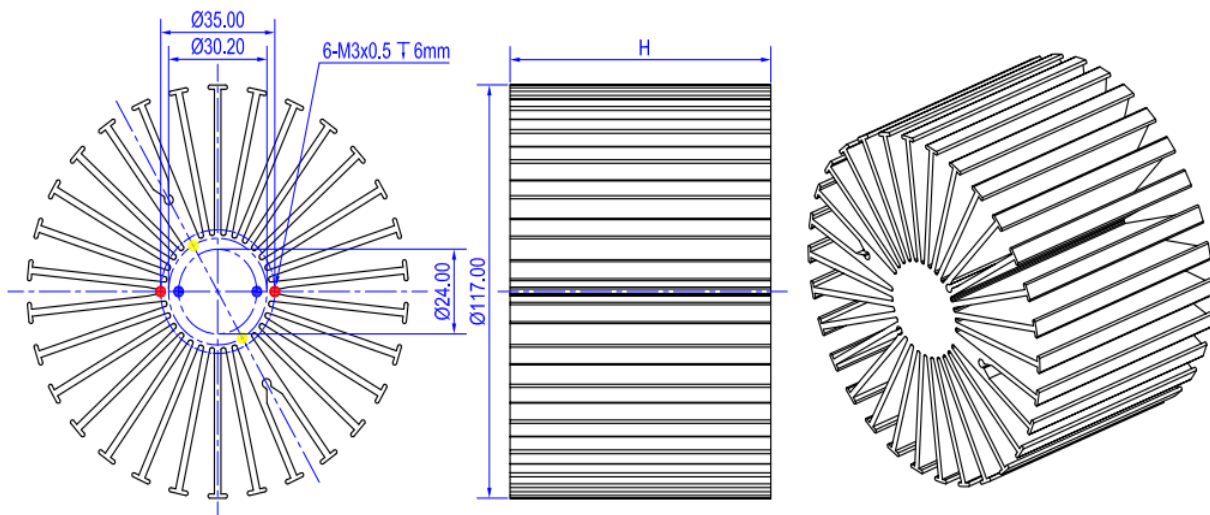
Example: SimpoleD-LUM-117 **1** - **2** - **3**

- 1** Height (mm)
- 2** Anodising Color
 - B-Black
 - C-Clear
 - Z-Custom
- 3** Mounting Options - see graLUMcs for details Combinations available
 - Ex.order code - 12
 - means option 1 and 2 combined

Notes:

- Mentioned models are an extraction of full product range.
- For specific mechanical adaptations please contact MingfaTech.
- MingfaTech reserves the right to change products or specifications without prior notice.

MOUNTING OPTION	Module type	Holder NO.	THREAD	THREAD DEPTH	THREAD HOLE DISTANCE
1	LuxeonCOB1204 LuxeonCOB1205 LuxeonCOB1208	/	M3	6mm	24.0mm/ @180°
2	Luxeon K 24-UP	/	M3	6mm	30.2mm/ @180°
3	Luxeon K 12-UP Luxeon K 16-UP	BJB (47.319.2070.50)	M3	8mm	35.0mm/ @180°
		Type (Z50 2213382-2)			
	LuxeonCOB1211	BJB (47.319.2030.50)			
		A.A.G Stucchi (8102/G2)			
		Type (Z50 2213130-2)			
		LuxeonCOB1204 LuxeonCOB1205 LuxeonCOB1208			
A.A.G Stucchi (8301/G2)					



SimpoleD

SimpoleD-LUM-11750 for LumiLEDs Modular Passive LED Cooler $\Phi 117\text{mm}$

The thermal data table

	 <i>SimpoleD-11750</i>
Model No.	SimpoleD-LUM-11750
Size	$\Phi 117 \times H50\text{mm}$
Material	AL6063-T5
Finish	Black Anodized
Weight(gr)	484.0
Thermal Wattage	49.2W
HeatsinkΘ_s-a²	147370
Heat Sink T Rise Above Ambient	0.97

	Pd = Pe x (1-ηL)	Heat sink to ambient thermal resistance Rhs-amb (°C/W)	Heat sink to ambient temperature rise Ths-amb (°C)
		SimpoleD-LUM-11750	SimpoleD-LUM-11750
Dissipated Power Pd(W)	8.0	1.35	10.8
	16.0	1.30	20.8
	24.0	1.25	30.0
	32.0	1.15	36.8
	40.0	1.10	44.0
	48.0	0.97	46.6
	56.0	0.88	49.3

