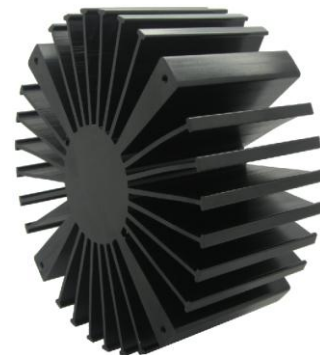


SimpoleD

SimpoleD-LUN-16050 for Luminus Modular Passive LED Cooler Φ 160mm

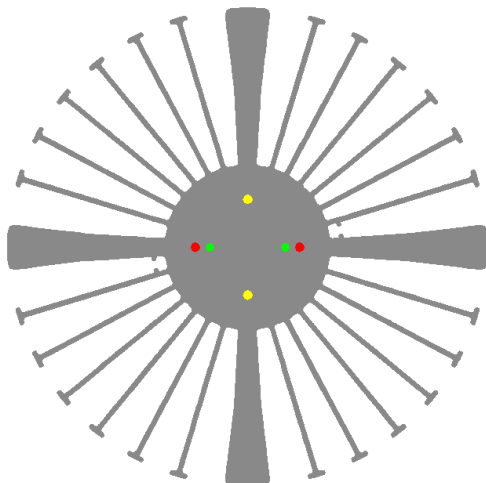
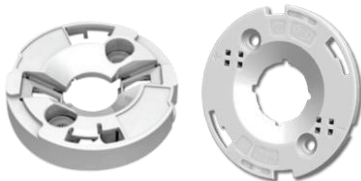
Features VS Benefits

- * The SimpoleD-LUN-16050 Luminus Modular Passive LED Coolers are specifically designed for luminaires using the Luminus LED engines.
- * Mechanical compatibility with direct mounting of the LED engines to the LED cooler and thermal performance matching the lumen packages.
- * For spotlight and downlight designs from 2500 to 9000 lumen.
- * Thermal resistance range Rth 0.68°C/W.
- * Modular design with mounting holes foreseen for direct mounting of Luminus COB LED engines.
- * Diameter 160mm - standard height 50mm Other heights on request.
- * Extruded from highly conductive aluminum.



Luminus LED engine and radiator assembly directly Mounting Options

- * Below you find an overview of Luminus COB's and LED modules which standard fit on the SimpoleD coolers.
- * In this way mechanical after work and related costs can be avoided, and lighting designers can standardize their designs on a limited number of LED coolers.



Luminus LED engines Mounting Options

CXM-22 COB Arrays LED Modules names:

- CXM-22-27-XX-36-AC00-XX-X;
- CXM-22-30-XX-36-AC00-XX-X;
- CXM-22-35-XX-36-AC00-XX-X;
- CXM-22-40-XX-36-AC00-XX-X;
- CXM-22-50-XX-36-AC00-XX-X;
- CXM-22-65-XX-36-AC00-XX-X;

CHM-22 COB Arrays LED Modules names:

- CHM-22-27-XX-36-AC00-XX-X;
- CHM-22-30-XX-36-AC00-XX-X;
- CHM-22-35-XX-36-AC00-XX-X;
- CHM-22-40-XX-36-AC00-XX-X;
- CHM-22-50-XX-36-AC00-XX-X;
- CHM-22-65-XX-36-AC00-XX-X;

With Zhaga Book 3 for red indicator marks:

- BJB Holder:47.319.2030.50;
- AAG.STUCCHI holder:8102-G2;
- Direct mounting with machine screws M3x6mm;
- Without LED holders for yellow indicator marks.
- Direct mounting with machine screws M3x6mm;

Luminus CHM-18,CVM-18 LED engines.

- CHM-18-27-XX-36-AC00-XX-X;
- CHM-18-30-XX-36-AC00-XX-X;
- CHM-18-35-XX-36-AC00-XX-X;
- CHM-18-40-XX-36-AC00-XX-X;
- CHM-18-50-XX-36-AC00-XX-X;
- CHM-18-65-XX-36-AC00-XX-X;

- CVM-18-31-XX-36-AA00-XX-X;
- CVM-18-56-XX-36-AA00-XX-X;

- Gree indicator marks.
- Direct mounting with machine screws M2x6mm;

SimpoLED **SimpoLED-LUN-16050 for Luminus Modular Passive LED Cooler Ø160mm**

Mounting Options and Drawings & Dimensions

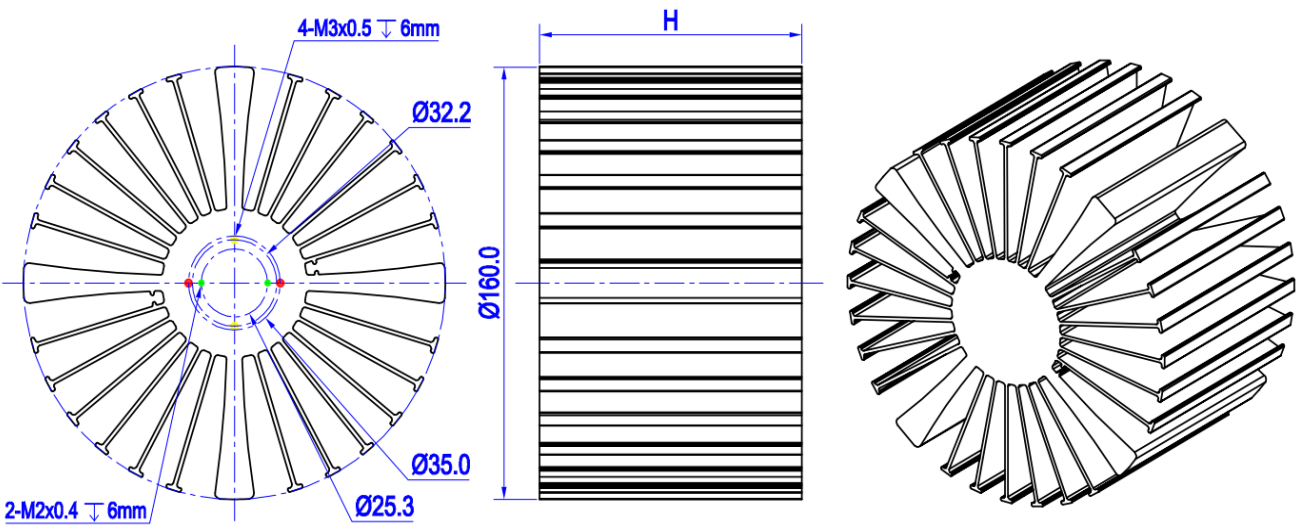
Example: SimpoLED-LUN-16050-B-3
 Example: SimpoLED-LUN-160 **1** - **2** - **3**

- 1** Height (mm)
- 2** Anodising Color
 B-Black
 C-Clear
 Z-Custom
- 3** Mounting Options - see graphics for details Combinations available
 Ex.order code - 12
 means option 1 and 2 combined

Notes:
 - Mentioned models are an extraction of full product range.
 - For specific mechanical adaptations please contact MingfaTech.
 - MingfaTech reserves the right to change products or specifications without prior notice.




MOUNTING OPTION	Module type	Holder NO.	THREAD	THREAD DEPTH	THREAD HOLE DISTANCE
1	CHM-18 CVM-18	/	M2	6mm	25.3mm/ 2-@180°
2	CXM-22 CHM-22	/	M3	6mm	32.2mm/ 2-@180°
3		AAG.STUCCHI 8102-G2 BJB 47.313.2030.50	M3	6mm	35.0mm/ 2-@180°



SimpoleD

SimpoleD-LUN-16050 for Luminus Modular Passive LED Cooler Φ 160mm

The thermal data table

	 <i>SimpoleD-16050</i>
Model No.	SimpoleD-LUN-16050
Size	Φ160xH50mm
Material	AL6063-T5
Finish	Black Anodized
Weight(gr)	1052.0
Thermal Wattage	71.3W
HeatsinkΘs-a²	179161
Heat Sink T_{Rise Above Ambient}	0.68

Dissipated Power Pd(W)	Pd = Pe x (1- η L)		Heat sink to ambient thermal resistance Rhs-amb (°C/W)	Heat sink to ambient temperature rise Ths-amb (°C)
			SimpoleD-LUN-16050	SimpoleD-LUN-16050
15.0			0.92	13.8
30.0			0.83	24.9
45.0			0.78	35.1
60.0			0.70	42.0
75.0			0.65	48.8
90.0			0.60	54.0
100.0			0.55	55.0

