



for

LED

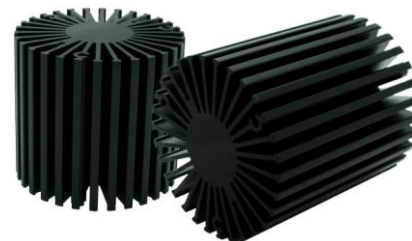


SimpoleD

SimpoleD-VOS-5850 Vossloh-Schwabe Modular Passive LED Cooler Φ 58mm

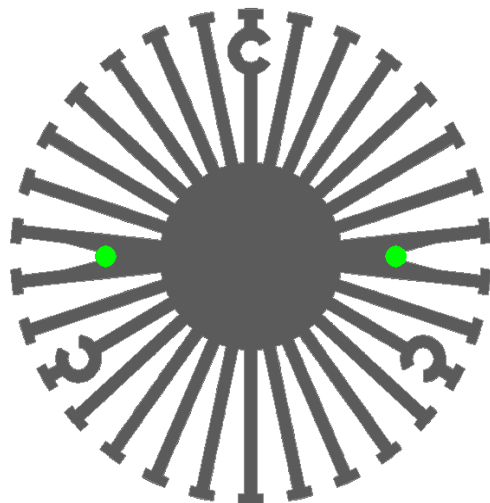
Features VS Benefits

- * The SimpoleD-VOS-5850 Vossloh-Schwabe Modular Passive LED Coolers are specifically designed for luminaires using the Vossloh-Schwabe LED engines.
- * Mechanical compatibility with direct mounting of the LED engines to the LED cooler and thermal performance matching the lumen packages.
- * For spotlight and downlight designs from 400 to 1500 lumen.
- * Thermal resistance range Rth 3.7°C/W.
- * Modular design with mounting holes foreseen for direct mounting of Vossloh-Schwabe LUGA Shop LED engines.
- * Diameter 58mm - standard height 50mm Other heights on request.
- * Extruded from highly conductive aluminum.



Zhaga LED engine and radiator assembly is a unified future international standardization

- * Below you find an overview of Vossloh-Schwabe engines COB's and LED modules which standard fit on the SimpoleD coolers.
- * In this way mechanical after work and related costs can be avoided, and lighting designers can standardize their designs on a limited number of LED coolers.



Vossloh-Schwabe LED engines Mounting Options

For the LUGA Shop 2014 Module.

WU-M-484-827; WU-M-484-840; WU-M-485-835; WU-M-486-830;
 WU-M-484-830; WU-M-485-827; WU-M-485-840; WU-M-486-835;
 WU-M-484-835; WU-M-485-830; WU-M-486-827; WU-M-486-840;

For the LUGA Shop 2014 PW Module.

WU-M-484-831-PW; WU-M-485-831-PW; WU-M-486-831-PW;

For the LUGA Shop 2014 HiCRI LED Module.

WU-M-484-927; WU-M-484-940; WU-M-485-935; WU-M-486-930;
 WU-M-484-930; WU-M-485-927; WU-M-485-940; WU-M-486-935;
 WU-M-484-935; WU-M-485-930; WU-M-486-927; WU-M-486-940;

For the LUGA Shop 2014 PW Module.

WU-M-484-931-PW; WU-M-485-931-PW; WU-M-486-931-PW;

For the LUGA Shop 2014 PCB LED engines which holder.

DMS088C27E1; DMS088C40E1; DMS158C35E1; DMS128C30E1;
 DMS088C30E1; DMS158C27E1; DMS158C40E1; DMS128C35E1;
 DMS088C35E1; DMS158C30E1; DMS128C27E1; DMS128C40E1;

For the LUGA Shop 2014 PCB PW LED engines which holder.

DMS088C31EP1; DMS128C31EP1; DMS158C31EP1;

For the LUGA Shop 2014 PCB HiCRI LED engines which holder.

DMS088D27E1; DMS088D40E1; DMS158D35E1; DMS128D30E1;
 DMS088D30E1; DMS158D27E1; DMS158D40E1; DMS128D35E1;
 DMS088D35E1; DMS158D30E1; DMS128D27E1; DMS128D40E1;

For the LUGA Shop 2014 PCB PW LED engines which holder.

DMS088D31EP1; DMS128D31EP1; DMS158D31EP1;

For the LUGA C 2015 LED engines.

(AAG.STUCCHI holder:8101-G2); (BJB holder:47.319.2021.50);

DMC104Cxxx; DMC115Cxxx; DMC118Cxxx;

Zhaga Book3 Green indicator marks:
 Direct mounting with machine screws M3x6mm.

Please refer to the "www.vossloh-schwabe.com" data provided on the manual.

Tel:+86-769-39023131
 E-fax:+86-(020)28819702 ext:22122
 Email:sales@mingfatech.com
 Http://www.heatsinkled.com
 Http://www.mingfatech.com





SimpoleD

SimpoleD-VOS-5850 Vossloh-Schwabe Modular Passive LED Cooler Φ 58mm

Mounting Options and Drawings & Dimensions

Example: SimpoleD-VOS-5850-B-3

Example: SimpoleD-VOS-58 **1** - **2** - **3**

1 Height (mm)

2 Anodising Color

B-Black

C-Clear

Z-Custom

3 Mounting Options - see graphics for details Combinations available

Ex.order code - 12

means option 1 and 2 combined

Notes:

- Mentioned models are an extraction of full product range.

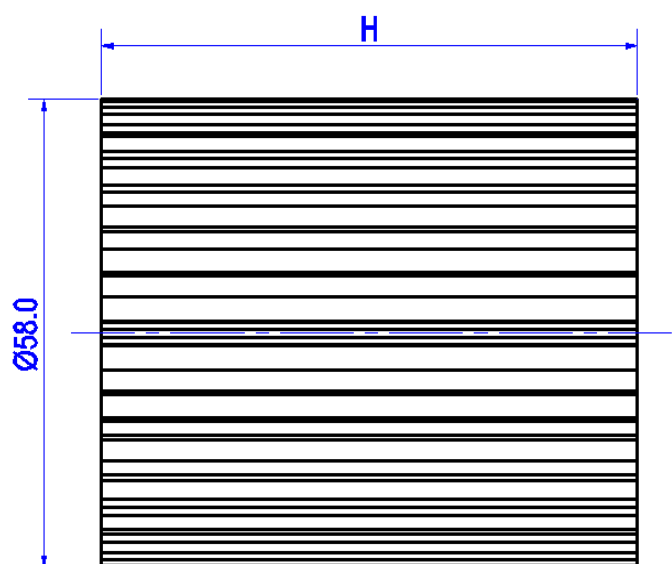
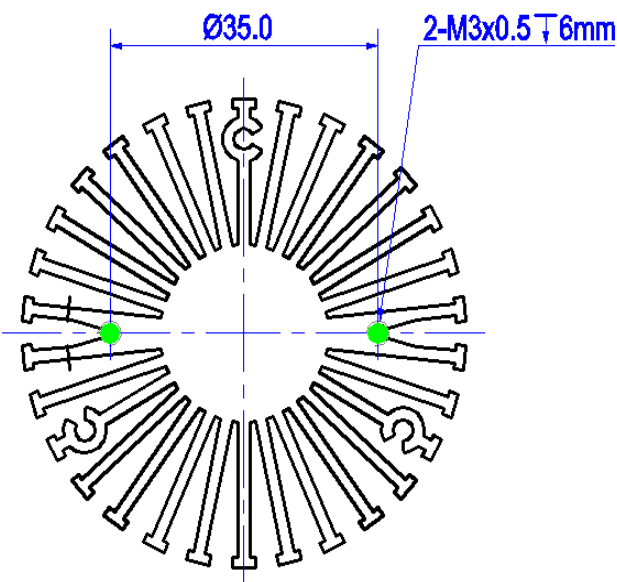
- For specific mechanical adaptations please contact MingfaTech.

- MingfaTech reserves the right to change products or specifications without prior notice.



STUCCHI
Ideas are made of light

MOUNTING OPTION	Module type	Holder NO.	THREAD	THREAD DEPTH	THREAD HOLE DISTANCE
1	LUGA C	BJB (47.319.2021.50)	M3	6mm	35.0mm/ 2-@180°
		AAG.STUCCHI (8101-G2)			
	LUGA Shop 2014 PCB	Vossloh-Schwabe			
	LUGA Shop 2014	/			



Tel:+86-769-39023131
E-fax:+86-(020)28819702 ext:22122
Email:sales@mingfatech.com
Http://www.heatsinkled.com
Http://www.mingfatech.com



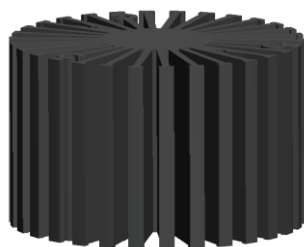
for

LED

SimpoleD

SimpoleD-VOS-5850 Vossloh-Schwabe Modular Passive LED Cooler Φ 58mm

The thermal data table

	 <i>SimpoleD-5850</i>
Model No.	SimpoleD-VOS-5850
Size	Φ58xH50mm
Material	AL6063-T5
Finish	Black Anodized
Weight(gr)	174.0
Thermal Wattage	12.2W
HeatsinkOs-a²	65040
Heat Sink T Rise Above Ambient	3.7

Dissipated Power Pd(W)	Pd = Pe x (1- η L)	Heat sink to ambient thermal resistance Rhs-amb ($^{\circ}$ C/W)	Heat sink to ambient temperature rise Ths-amb ($^{\circ}$ C)
		SimpoleD-VOS-5850	SimpoleD-VOS-5850
3.0		4.83	14.5
6.0		4.16	25.0
9.0		3.82	34.4
12.0		3.58	43.0
15.0		3.40	51.0

