



for

LED

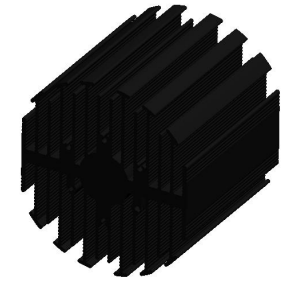


eLED

eLED-SEO-9580 Seoul Modular Passive Star LED Heat Sink Ø95mm

Features VS Benefits

- * The eLED-SEO-9580 Seoul Modular Passive LED Coolers are specifically designed for luminaires using the Seoul LED engines.
- * Mechanical compatibility with direct mounting of the LED engines to the LED cooler and thermal performance matching the lumen packages.
- * For spotlight and downlight designs from 2100 to 5500 lumen.
- * Thermal resistance range Rth 1.1°C/W.
- * Modular design with mounting holes foreseen for direct mounting of Seoul ZC12 Series,ZC18 Series, ZC25 Series, ZC40 Series,ZC60 Series and ZC100 Series COB engines.
- * Diameter 95mm - standard height 80mm Other heights on request.
- * Extruded from highly conductive aluminum.



Seoul LED engine and radiator assembly directly Mounting Options

- * Below you find an overview of Seoul COB's and LED modules which standard fit on the eLED Star LED Heat Sinks.
- * In this way mechanical after work and related costs can be avoided, and lighting designers can standardize their designs on a limited number of LED coolers.



SEOUL SEMICONDUCTOR



Seoul COB engines Mounting Options

ZC 12 Series COB Modules:
SDW02F1C; SDW82F1C; SDW92F1C;

ZC 18 Series COB Modules:
SDW03F1C; SDW83F1C; SDW93F1C;

Zhaga Book3 Holes ,
BJB Semiconductor Spotlight connector 47.319.2021.50
TE Connectivity Lumawise type Z502213254-1
TE Connectivity Lumawise type Z502213254-2
Green indicator marks;
Mounting with 2 screws M3x8mm.

ZC 25 Series LED Modules name:
SDW04F1C; SDW84F1C; SDW94F1C;

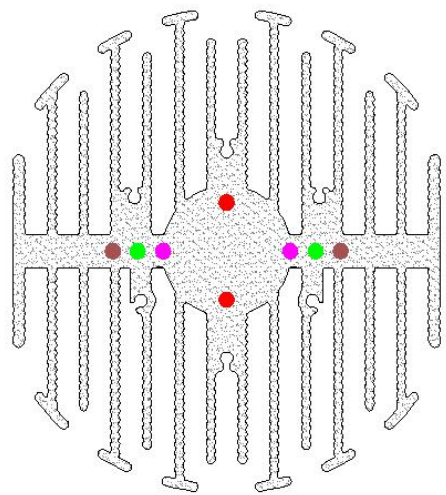
ZC 40 Series LED Modules name:
SDW05F1C; SDW85F1C; SDW95F1C;

ZC 60 Series LED Modules name:
SDW06F1C; SDW86F1C;

Green indicator marks:
Zhaga Book3 BJB Holder:47.319.2030.50
Mounting with machine screws M3x8mm ;

ZC 100 Series LED Modules name:
SDW07F1C; SDW87F1C;

Brown indicator marks ;
Direct mounting machine screws M3x6mm ;



Tel: +86-769-39023131
E-fax: +86-(020)28819702 ext:22122
Email:sales@mingfatech.com
Http://www.heatsinkled.com
Http://www.mingfatech.com





for

LED



eLED

eLED-SEO-9580 Seoul Modular Passive Star LED Heat Sink Φ 95mm

Mounting Options and Drawings & Dimensions

Example:eLED-SEO-9580-B-3

Example:eLED-SEO-9580-1-2-3

- 1** Height (mm)
- 2** Anodising Color
B-Black
C-Clear
Z-Custom
- 3** Mounting options;
On request;
Mounting holes, cable holes;
Screw thread, thermal interface pad.



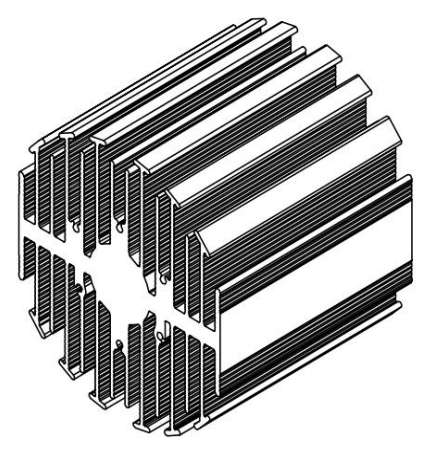
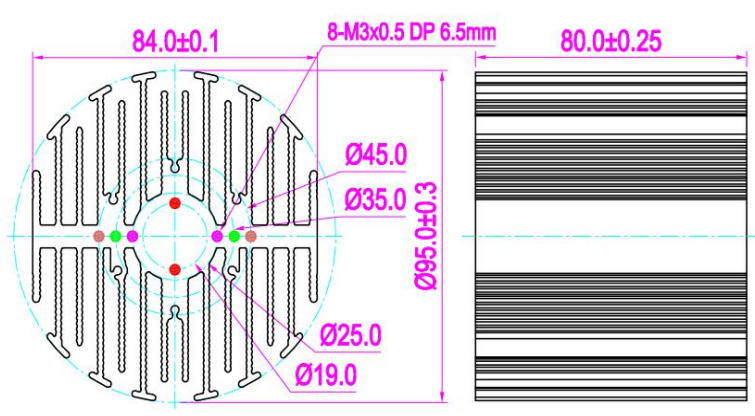
SEOUL SEMICONDUCTOR



Notes:

- Mentioned models are an extraction of full product range.
- For specific mechanical adaptations please contact MingfaTech.
- MingfaTech reserves the right to change products or specifications without prior notice.

MOUNTING OPTION	Module type	Holder NO.	THREAD	THREAD DEPTH	THREAD HOLE DISTANCE
1	ZC4 Series ZC6 Series	/	M3	6.5mm	19mm/ 2-@180°
2	ZC4 Series ZC6 Series	BJB:47.319.6060.50;	M3	6.5mm	25mm/ 2-@180° Zhaga Book 11
3	ZC12 Series ZC18 Series	BJB:47.319.2040.50;	M3	6.5mm	35mm/ 2-@180° Zhaga Book3
4	ZC100 Series	/	M3	6.5mm	45mm/ 2-@180°



Tel: +86-769-39023131
 E-fax: +86-(020)28819702 ext:22122
 Email:sales@mingfatech.com
 Http://www.heatsinkled.com
 Http://www.mingfatech.com



eLED

eLED-SEO-9580 Seoul Modular Passive Star LED Heat Sink Φ 95mm

The thermal data table

	 <i>eLED-9580</i>
Model No.	eLED-SEO-9580
Size	Φ95xH80mm
Material	AL6063-T5
Finish	Black Anodized
Weight(gr)	564
Thermal Wattage	49.2W
HeatsinkΘs-a²	170178
Heat Sink T Rise Above Ambient	1.1

Dissipated Power Pd(W)	Heat sink to ambient thermal resistance Rhs-amb ($^{\circ}$ C/W)		Heat sink to ambient temperature rise Ths-amb ($^{\circ}$ C)	
	eLED-SEO-9580			
10	1.6		16	
20	1.3		26	
30	1.2		35	
40	1.1		44	
50	1.0		52	

