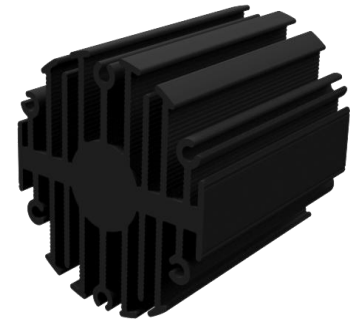


eLED

eLED-LUM-4650 for LumiLEDs Modular Passive Star LED Heat Sink Φ 46mm

Features VS Benefits

- * The eLED-LUM-4650 LUMILEDS Modular Passive LED Coolers are specifically designed for luminaires using the LUMILEDS LED engines.
- * Mechanical compatibility with direct mounting of the LED engines to the LED cooler and thermal performance matching the lumen packages.
- * For spotlight and downlight designs from 450 to 1200 lumen.
- * Thermal resistance range R_{th} 5.0°C/W.
- * Modular design with mounting holes foreseen for direct mounting of LUMILEDS Luxeon K and LueonCOB engines.
- * Diameter 46.5mm - standard height 50mm Other heights on request.
- * Extruded from highly conductive aluminum.

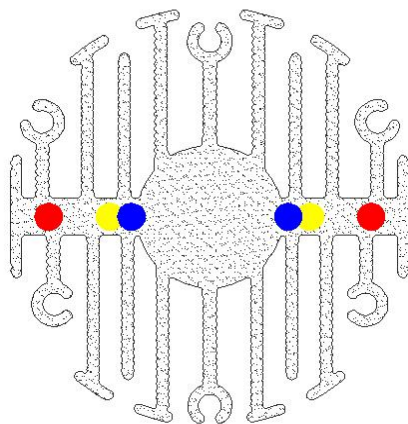


Zhaga LED engine and radiator assembly is a unified future international standardization

- * Below you find an overview of LUMILEDS COB's and LED modules which standard fit on the eLED coolers.
- * In this way mechanical after work and related costs can be avoided, and lighting designers can standardize their designs on a limited number of LED coolers.



STUCCHI
ideas are made of light



LUMILEDS LED Modules directly Mounting Options

For the LuxeonCOB LED engines.

- LHC1-xxxx-1202;
- LHC1-xxxx-1203;

Zhaga Book3 TE holder: Z50 2213382-2;
Red indicator marks;
Mounting with machine screws M3x8mm;

For the Luxeon K 3-UP/4-UP LED engines.

- LXK8-PWxx-0403;
- LXK8-PWxx-0004;
- LXK9-PWxx-0004;

Direct mounting with machine screws M3x8mm;
Blue indicator marks.

For the Luxeon K 6-UP/8-UP LED engines.

- LXK8-PWxx-0206;
- LXK8-PWxx-0008;

Direct mounting with machine screws M3x8mm;
Yellow indicator marks.

eLED

eLED-LUM-4650 for LumiLEDs Modular Passive Star LED Heat Sink Φ 46mm

Mounting Options and Drawings & Dimensions

Example:eLED-LUM-4650-B-1

Example:eLED-LUM-4650-1-2-3

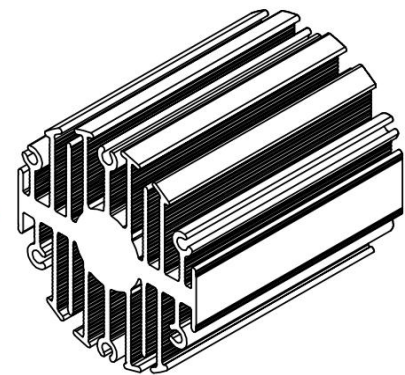
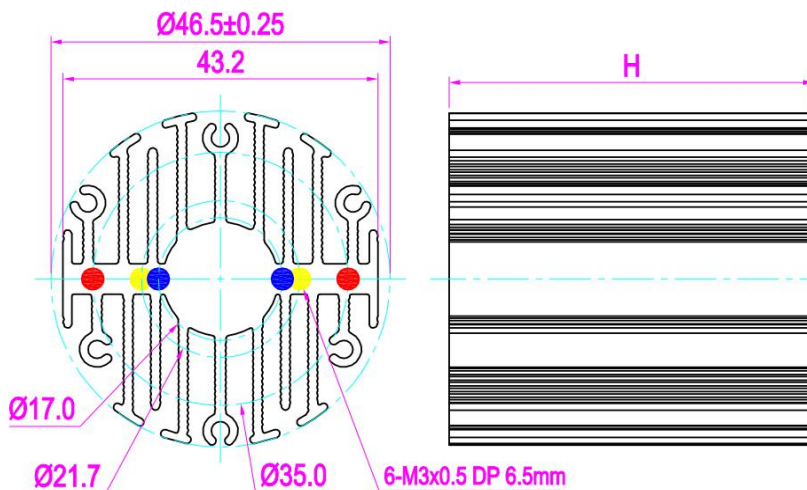
- 1 Height (mm)
- 2 Anodising Color
B-Black
C-Clear
Z-Custom
- 3 Mounting Options - see graphics for details Combinations available
Ex.order code - 12
means option 1 and 2 combined

Notes:

- Mentioned models are an extraction of full product range.
- For specific mechanical adaptations please contact MingfaTech.
- MingfaTech reserves the right to change products or specifications without prior notice.

Note : option 1 and option 2 can not be combined

MOUNTING OPTION	Module type	Holder NO.	THREAD	THREAD DEPTH	THREAD HOLE DISTANCE
1	Luxeon K 3-UP Luxeon K 4-UP	/	M3	6.5mm	17.0mm/ @180°
2	Luxeon K 6-UP Luxeon K 8-UP	/	M3	6.5mm	21.7mm/ @180°
3	LuxeonCOB1202 LuxeonCOB1203	Type (Z50 2213382-2)	M3	6.5mm	35.0mm/ @180°



for

LED

eLED

eLED-LUM-4650 for LumiLEDs Modular Passive Star LED Heat Sink Φ 46mm

The thermal data table

	 <i>eLED-4650</i>
Model No.	eLED-LUM-4650
Size	Φ46.5xH50mm
Material	AL6063-T5
Finish	Black Anodized
Weight(g)	101.0
Thermal Wattage	10.0W
HeatsinkΘs-a²	41280
Heat Sink T Rise Above Ambient	5.0

Dissipated Power Pd(W)	Pd = Pe x (1- η L)	Heat sink to ambient thermal resistance Rhs-amb ($^{\circ}$ C/W)	Heat sink to ambient temperature rise T _{hs-amb} ($^{\circ}$ C)
		eLED-LUM-4650	
3		5.67	17
6		5.50	33
9		5.22	47
12		4.83	58
15		4.33	65

