

CP073040 3.0V

Equivalent:

Electrical characteristics

(Typical values relative to cells stored for one year at +30 °C max)

○ Nominal capacity	50mAh
Discharged capacity at 0.03mA, +25°C, 1.8V cut off	
○ Open circuit voltage	3.0V
○ Max. recommended continuous current	1mA
Discharged to 1.8V at +25°C permitting 50% of the nominal capacity to be achieved	
○ Max. Pulse capability	35mA
35mA pulse discharge for 15 seconds, the cut off voltage is 1.8V, drained with 50% at 25°C the value may vary according to the pulse characteristics, the temperature and the cell's previous history	
○ Operating temperature rang	-20~+60°C

STORAGE:


Stored in clean, dry and cool circumstances (the temperature should be 20 degrees or lower, less than 30 degrees)

WARNING:

Don't charge, crush, disassemble, expose contents to water, heat above 80°C or may lead to explosion, burn or poison goods leakage. Discarded battery should be buried deeply to the ground.

Key features

- High and stable operating voltage
- Long shelf life
- Annual self-discharge rate lower than 2% at +20°C
- airtightness warranty
- Compliant with IEC 86-4 safety standard
- Non-restricted for transport

 UL Component Recognition
File Number MH46165

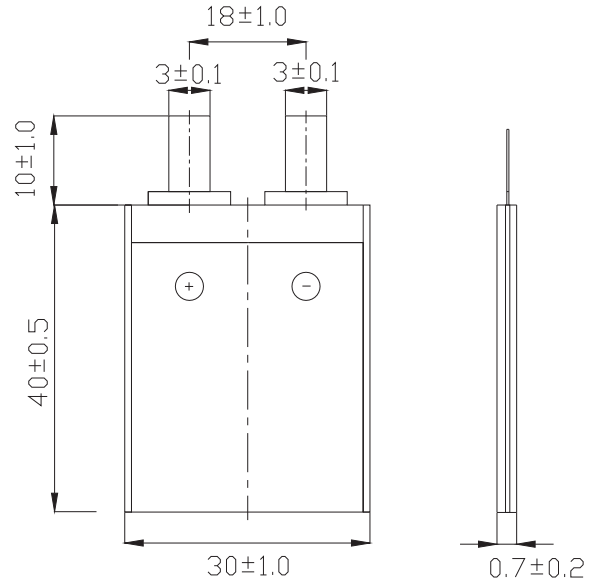
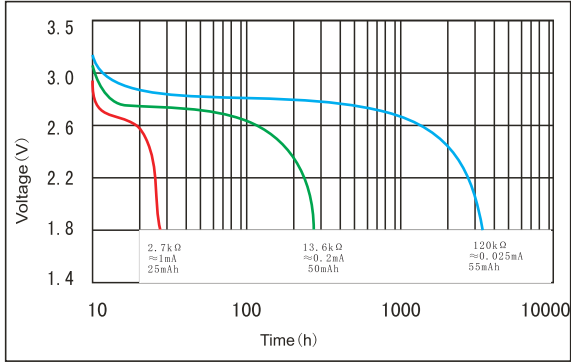
Main applications

- active electronic tags
- active chips
- Alarms or security equipment
- Smoke detectors
- Memory backup
- Real time clock
- Professional electronic equipment
- Medical equipment

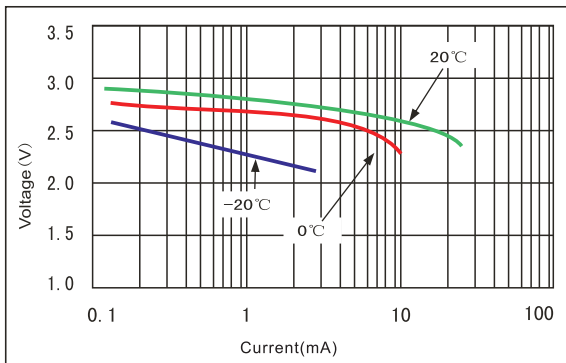
.....

CP073040 50mAh

Discharge characteristics at 25°C

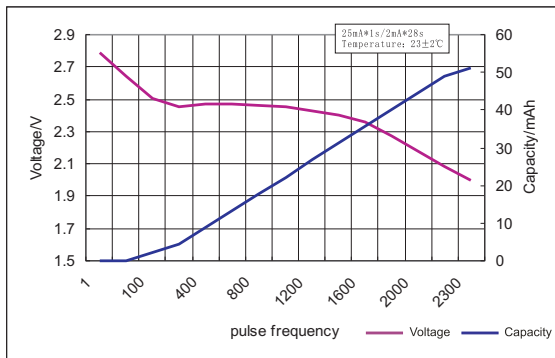


Voltage vs Current curve

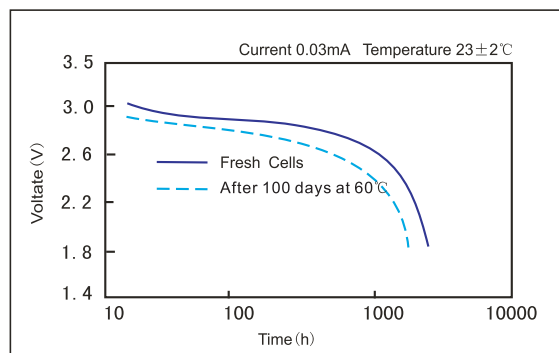


Dimensions in mm
Weight: 1.2g

Pulse discharge Curve



Discharge characteristics after storage



Data in this page is subject to change without notice and becomes contractual only after written confirmation by Fute.

WUHAN FANSO TECHNOLOGY CO.,LTD.

Address: No.1 Sitai Industrial Park, YongFeng Avenue, Hanyang District, Wuhan City, China.

Tel: 86-27-84452919 / 84458099 Fax: 86-27-84453116 Post Code: 430051